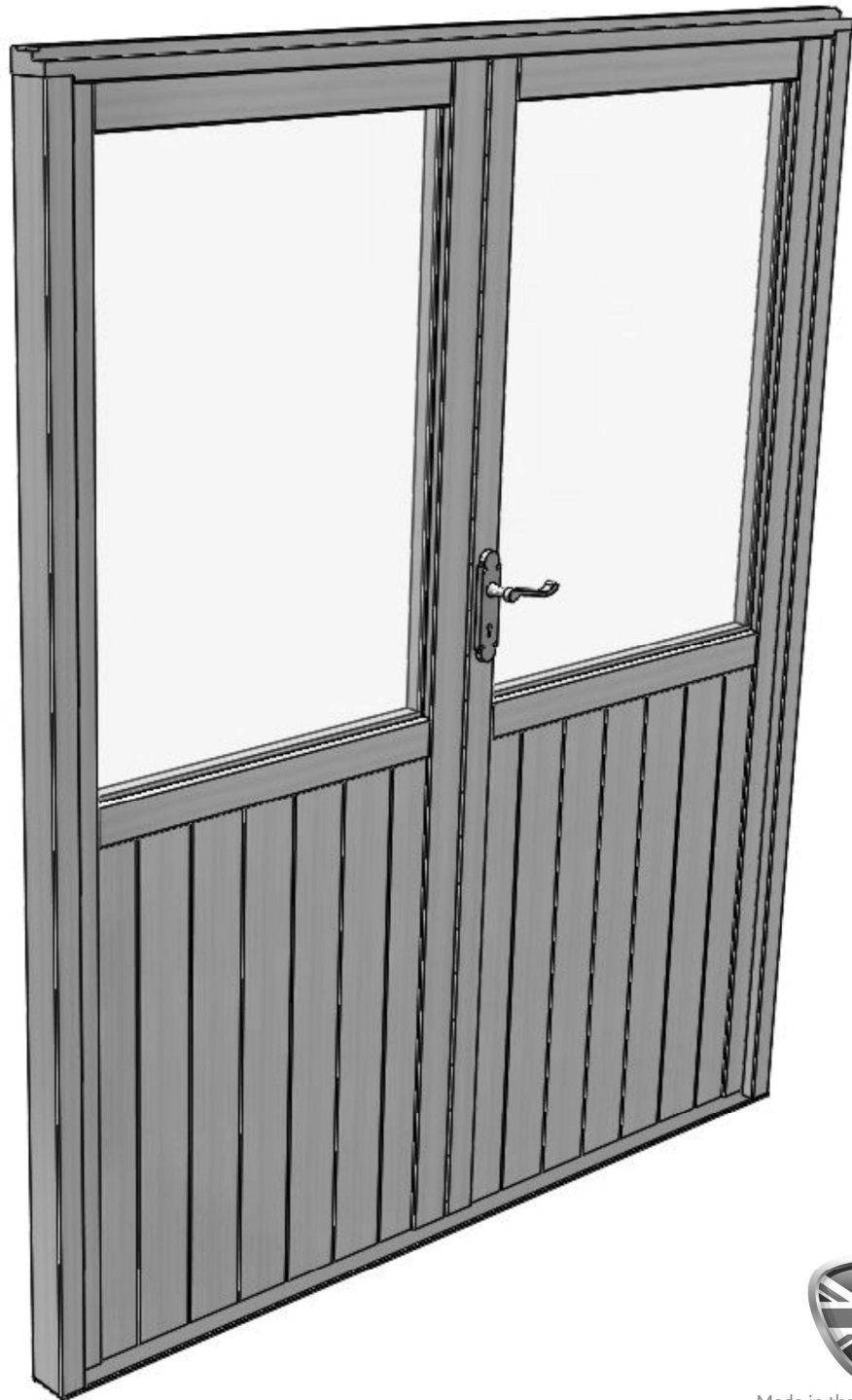


EVOLUTION OCTAGONAL



Double Door Instruction Manual



Made in the United Kingdom

Please read all instructions before proceeding

09/23



Contents:	Section	Page
Introduction	-	3
Base Assembly	1	4
Side Assembly	2	5-9
Door Installation	3	10-11

Introduction

Thank you for purchasing your new Alton greenhouse. We recommend you familiarise yourself with the instructions and read all safety information before you commence assembly. This instruction manual is also available online at www.greenhousepeople.co.uk in the technical help section should you need to reprint it. Should you require any additional advice you can always call us on 01782 385409.

Safety Warning

- Glass, aluminium and timber can potentially cause injury. Please ensure you wear protective goggles, gloves, headgear and suitable footwear when assembling and glazing the building.
- Please remember that glass is fragile and should be handled with extreme care. Always clear up and dispose of any breakages immediately.
- Do not assemble the greenhouse in high winds.
- DIY assembly - For safety reasons and ease of assembly, we recommend that this greenhouse is assembled by a minimum of two people.
- Please clear all lying snow from the greenhouse roof as it can cause the roof to buckle or collapse.

Site Preparation

- When selecting a site for your greenhouse, it is vital that you choose as flat and level an area as possible.
- A concrete or slabbed base will provide the most solid foundation for your greenhouse. A slabbed base would be our preferred choice as this helps with drainage.
- Avoid placing your greenhouse under trees or in other vulnerable locations.
- To minimise the risk of wind damage, try to select as sheltered a site as possible, e.g. beside a hedgerow or garden fence.

Additional Considerations

- Please bear in mind that assembling your greenhouse can be time consuming. You may need to spread the construction over two or more days. We recommend that you avoid leaving the building partially glazed. If you ever have to leave your greenhouse half assembled and not anchored down, weigh it down with slabs or bags of sand to stop the wind moving it.
- You will find it helpful to prepare a large, clean and clear area in which to work in. A garage floor or flat lawn area is ideal.
- If you have arranged for someone to install your greenhouse for you, please check that all components are included and are correct before your fitter comes on site. Most parts are numbered and can be identified by a stamp or removable label. Alternatively, the components can be identified by lengths detailed in the packing list in your main cardboard box.
- Remember this is a natural timber product. Cedarwood can vary from white through shades of pink to dark brown colours, this natural variation is a characteristic of cedar. The wood will soak up some water to start with and some staining may occur. This will settle down over time and the greenhouse will really blend with its surroundings. If you want to avoid this and give your greenhouse a more permanent finish you could apply an oil or spirit based product (it would be best to do this before glazing!).

Base Assembly

Lay out your aluminium base sections as the diagram shows leaving the gap for the door opening in the position you have chosen for your door. The base brackets (EV1001M) attach to the base sections using the M6 bolts supplied. The bolts slot into the bolt channel in the aluminium base and fix through the largest hole in the base bracket.

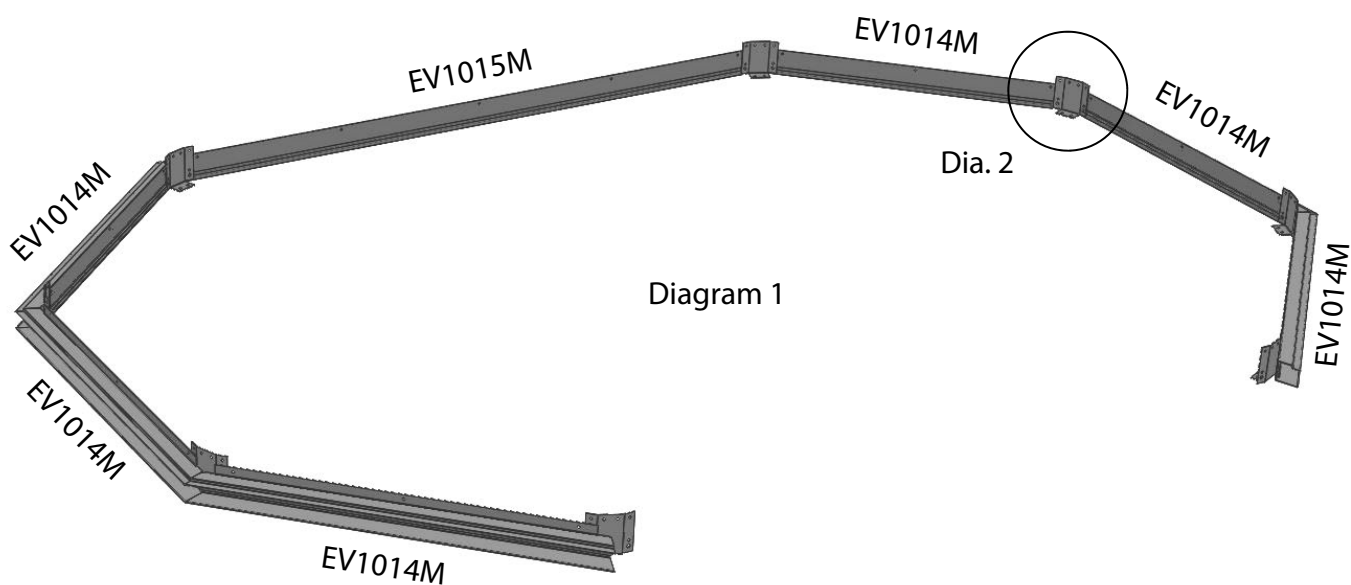
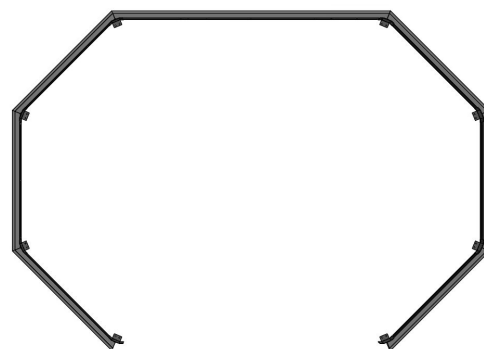


Diagram 1

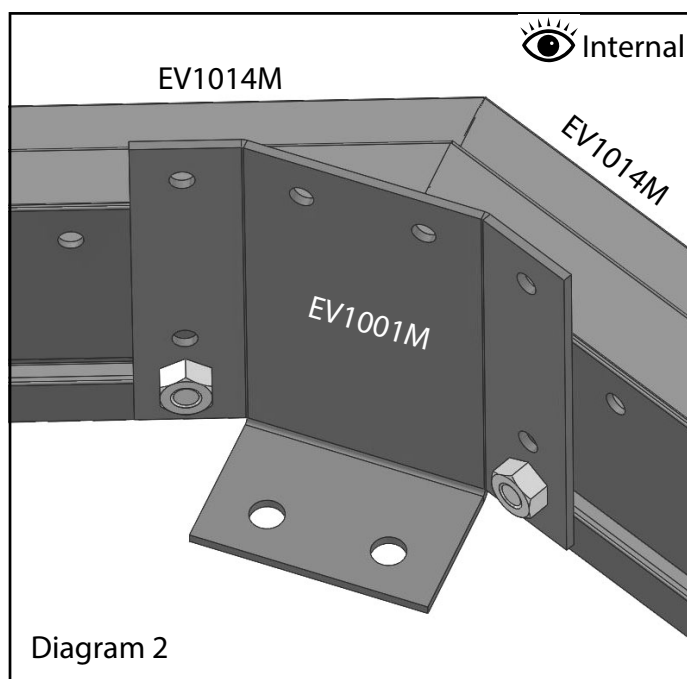


Diagram 2

Side Assembly

Start by attaching the cast eaves brackets (EV1000M) to four eaves rails (EV0953). First of all drill pilot holes through the eaves bracket into the end of the eaves bar. Be careful not to drill all the way through the rail! Once the bracket is firmly in position fix with the 40mm screws.

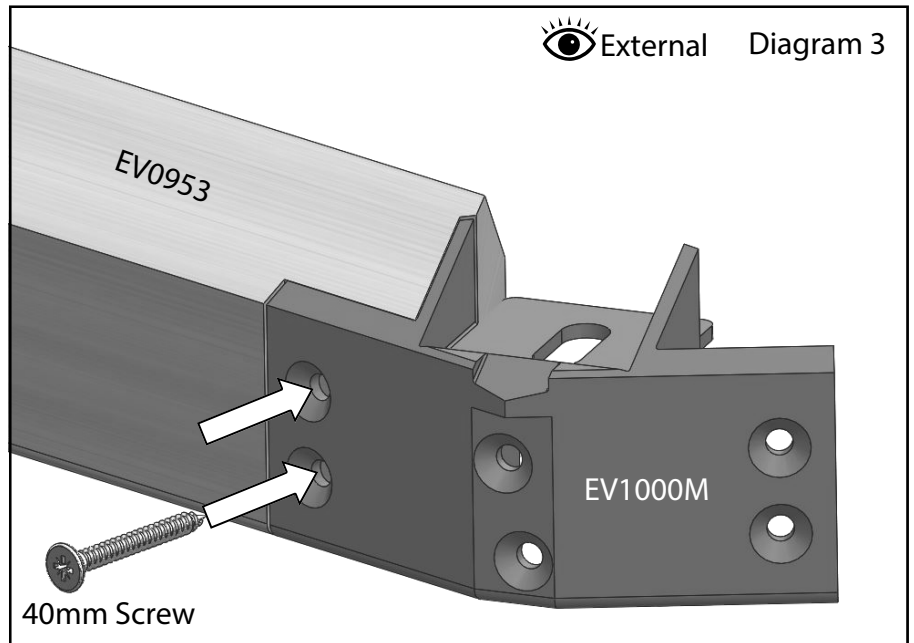


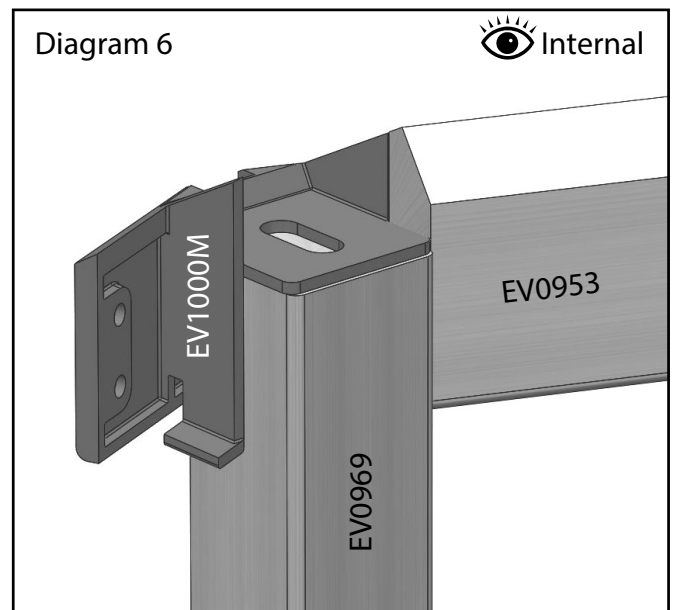
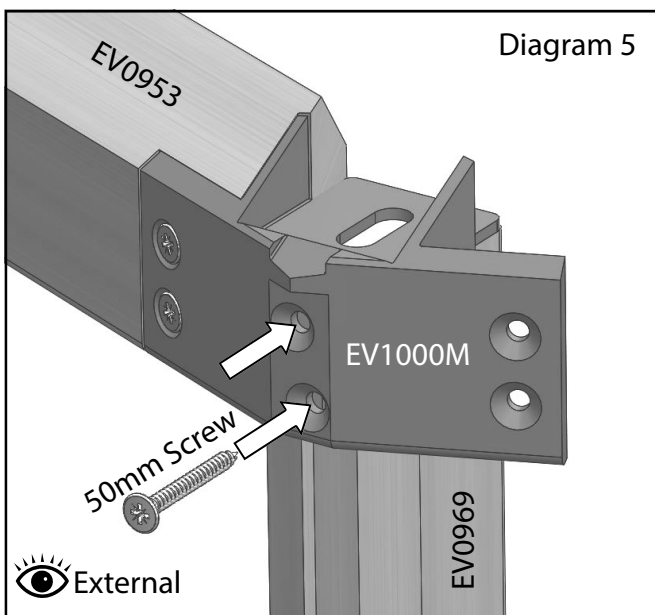
Diagram 4

X 4

Dia. 3



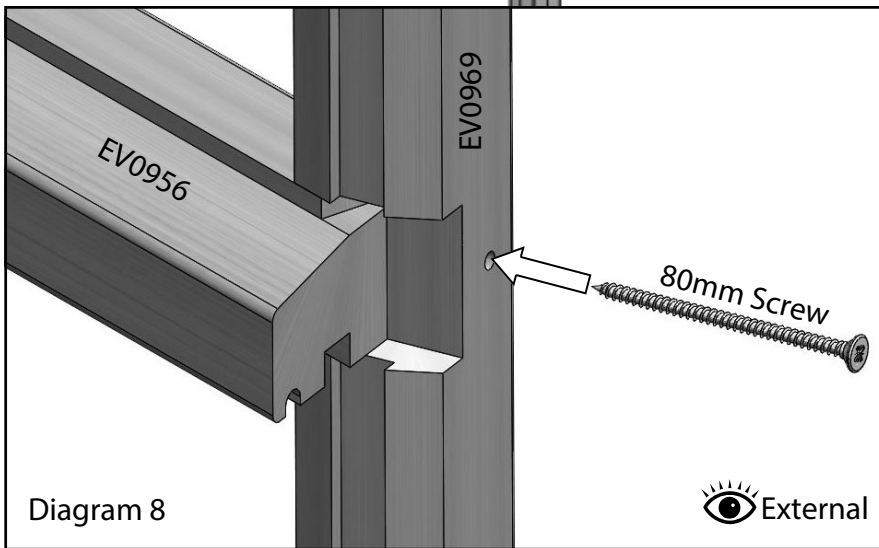
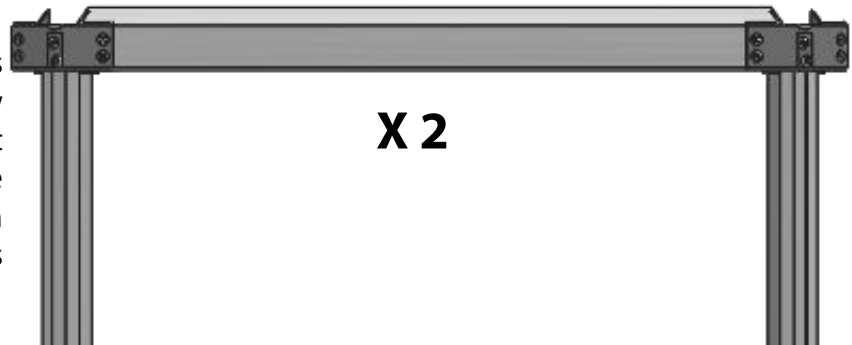
Once you have attached all the cast eaves brackets you can fix two standard side glazing bars to the eaves rail. Make sure the glazing bar is tight into the bracket (diagram 6), drill pilot holes and fix using 50mm screws. Don't over tighten these screws as it may make it difficult to glaze later in the build.



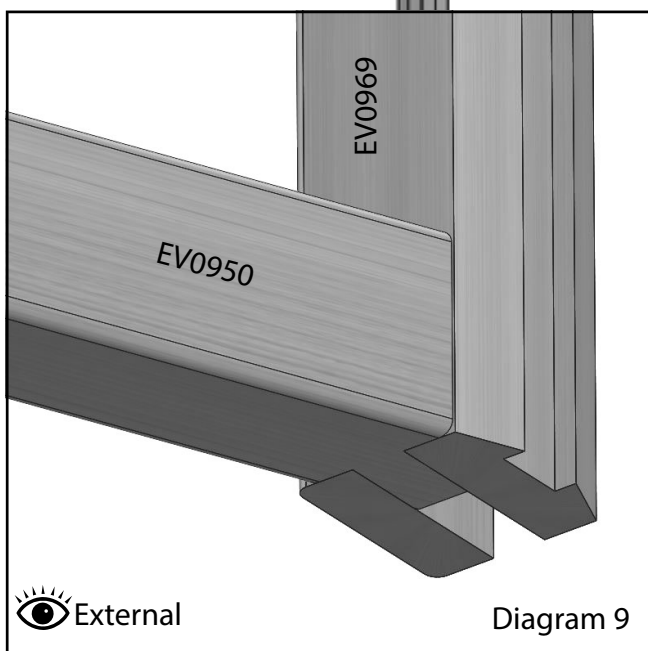
Side Assembly Standard

Diagram 7

With the side glazing bars attached (diagram 7) you can now insert the mid rail. Drill a pilot hole through the side of the glazing bar and fix with an 80mm screw (diagram 8). Fix both ends of the mid rail like this.



Next slot the cill into place. This is not fixed at this stage, it is secured later in the build (diagram 9). Assemble **two** identical frames like this.



Dia. 8

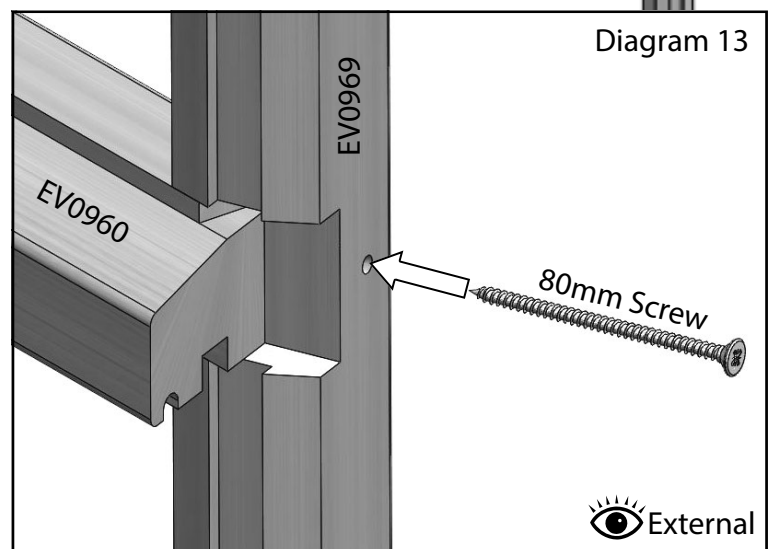
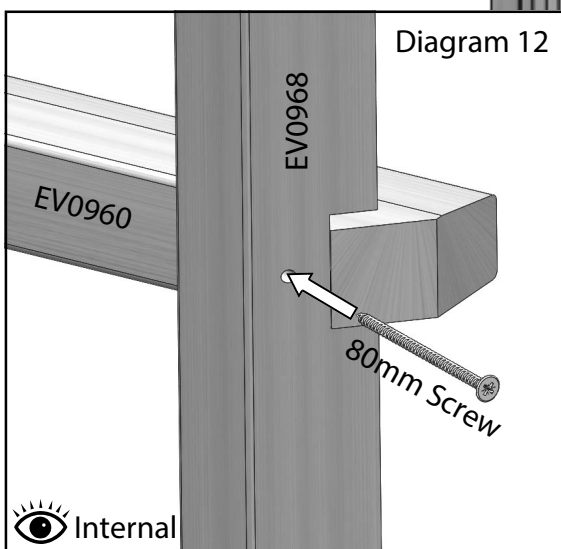
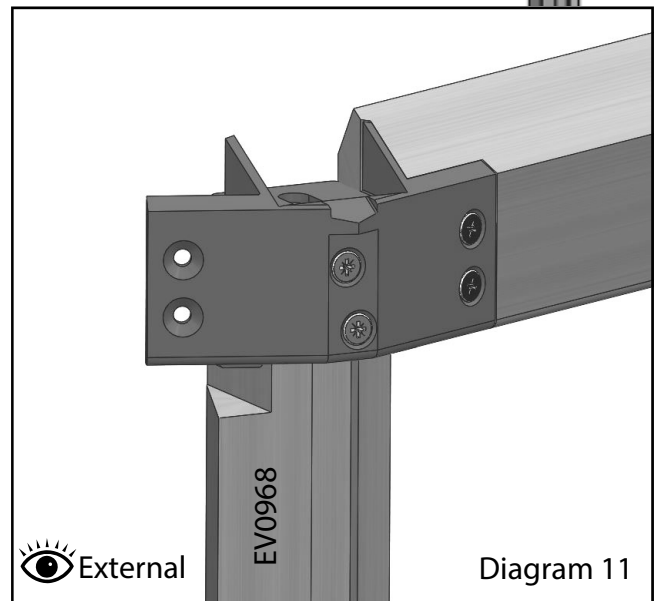
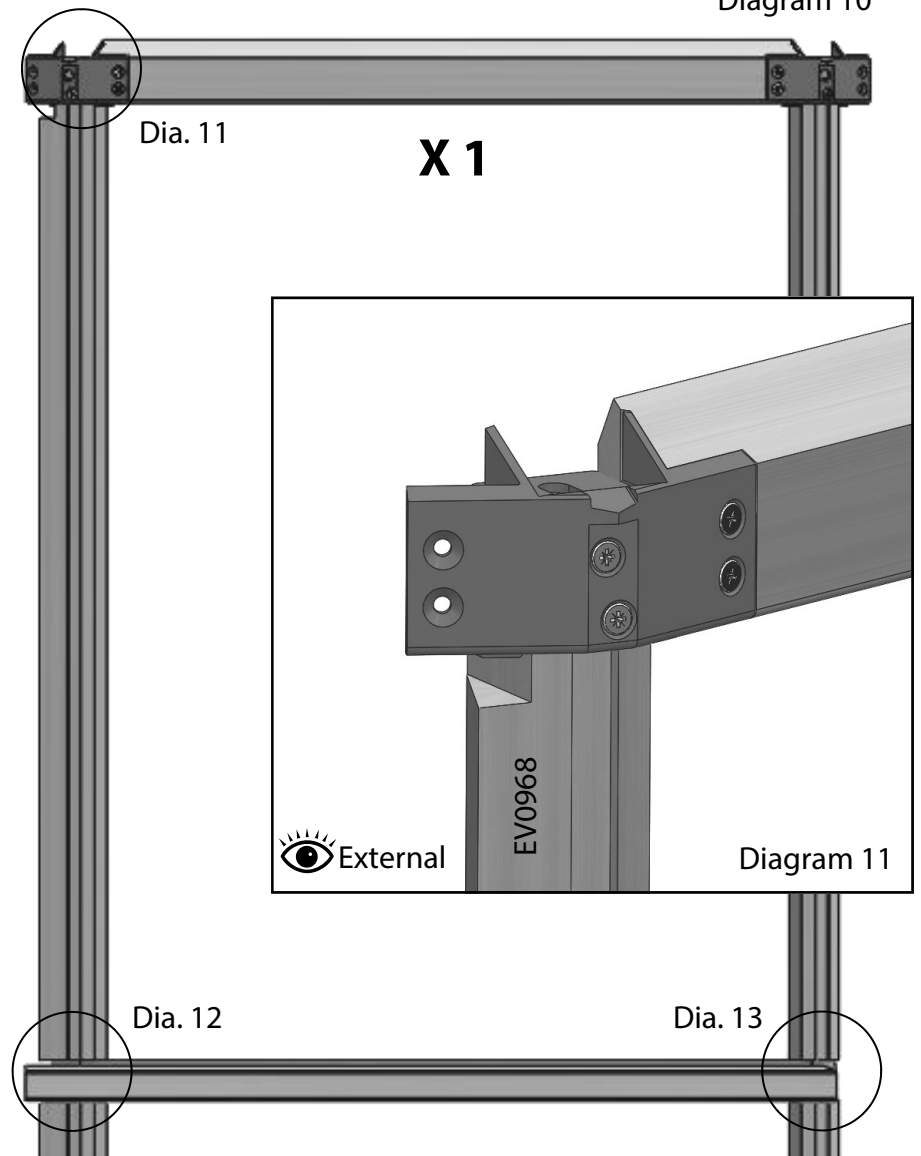
Dia. 9

Side Assembly Right of Door

Diagram 10

You now need to build the side assemblies either side of the door. First build the assembly to the right of the door, take an eaves bar with the cast eaves brackets attached and fix a standard side glazing bar in the right hand eaves bracket. Now take the glazing bar with a wedge shape on the left side (EV0968) and fix that to the left hand eaves bracket (diagram 11). Again drill pilot holes and fix using 50mm screws. Remember not to over tighten these screws.

With the side glazing bars attached you can now insert the mid rail. This is slightly different to the other mid rail as it is shaped to be positioned next to the door (EV0960). Drill a pilot hole through the side of the glazing bars and fix with an 80mm screw (diagram 12 & 13). As before just slot the cill section (EV0950) into place without any fixings (diagram 9).



Side Assembly Left of Door

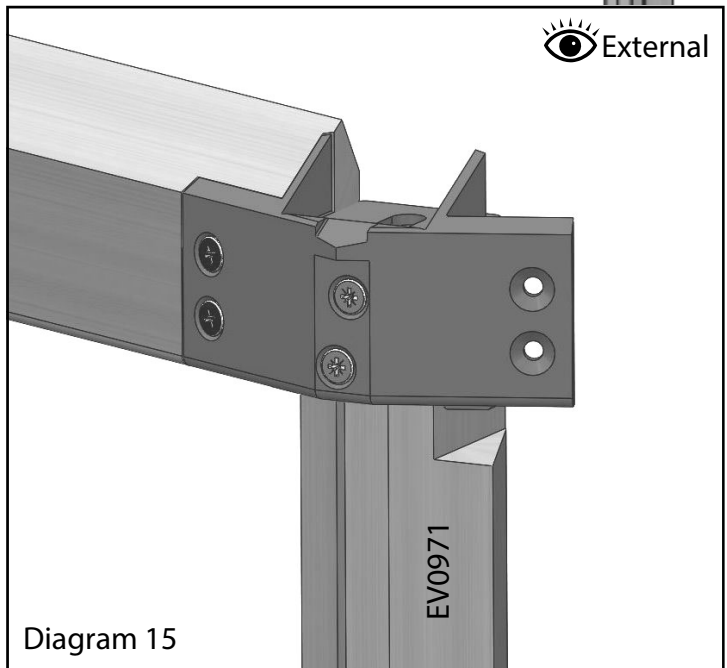
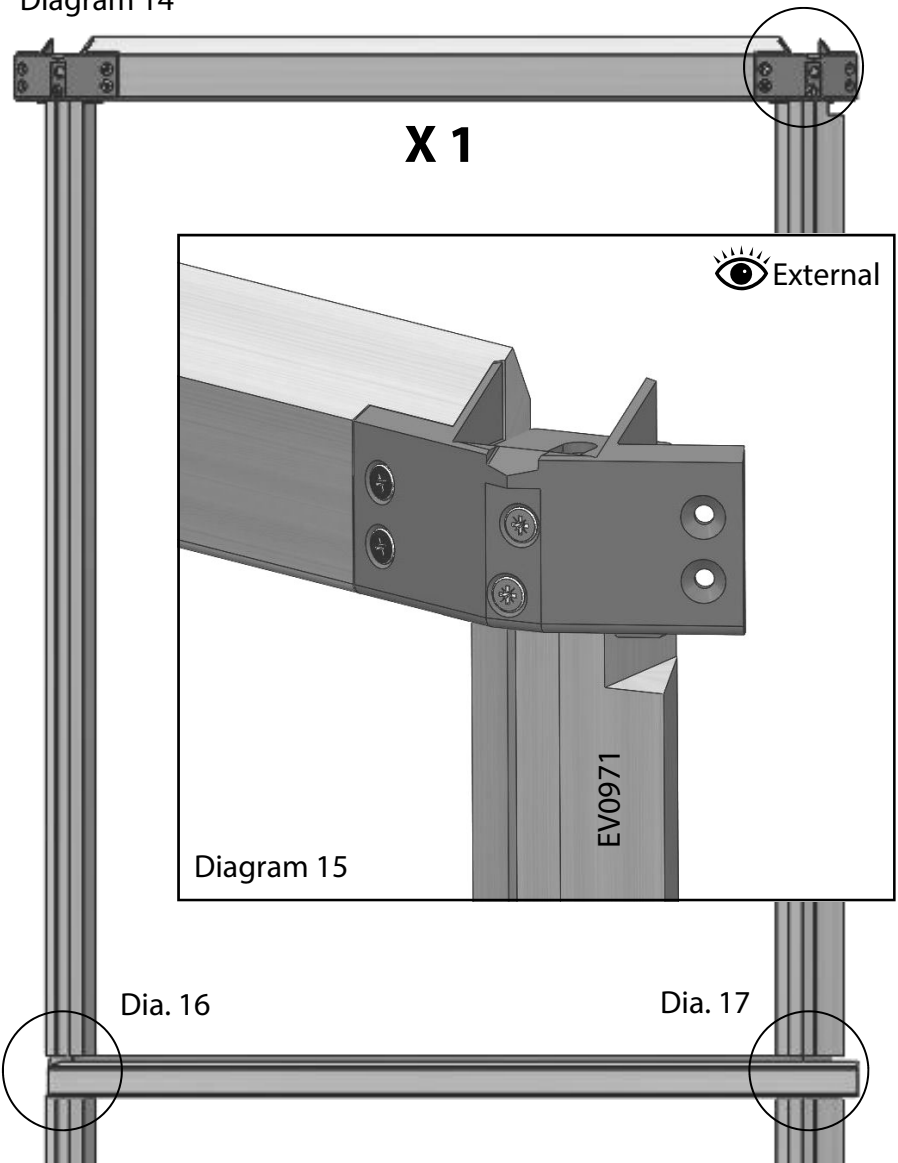
Now build the assembly to the left of the door, take the last eaves bar with the cast eaves brackets attached and fix a standard side glazing bar in the left hand eaves bracket. Now use the glazing bar with a wedge shape on the right side (EV0971) and fix that to the right hand eaves bracket (diagram 15). Again drill pilot holes and fix using 50mm screws. Remember not to over tighten these screws as it may make it difficult to glaze later in the build.

Now insert the mid rail. This is also shaped to go next to the door (Diagram 17). Drill a pilot hole through the side of the glazing bars and fix with an 80mm screw (diagram 16 & 17).

Again, just slot the cill section (EV0950) into place without any fixings (diagram 9).

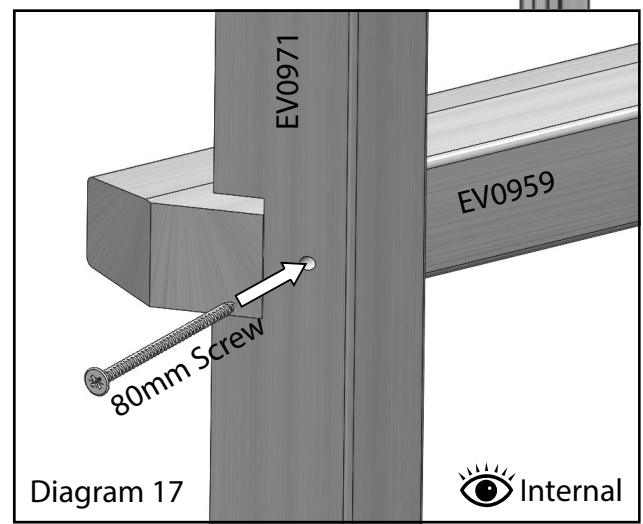
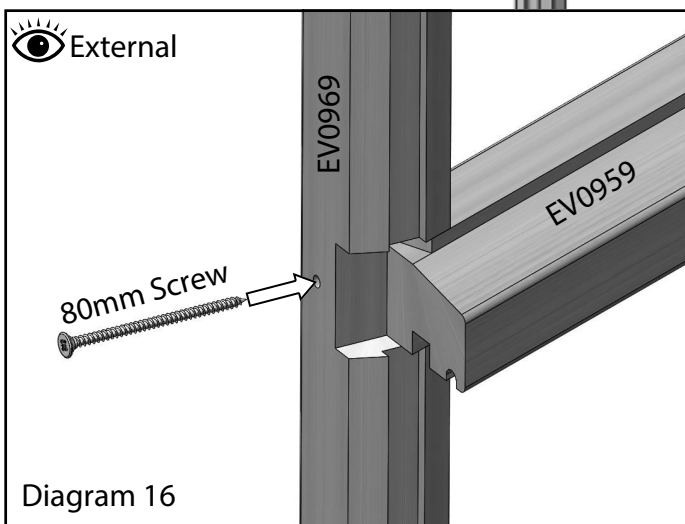
Diagram 14

Dia. 15



Dia. 16

Dia. 17



Side Assembly

Now you have four side frames assembled you can start assembling the greenhouse sides on the aluminium base. Start with the side assembly to the left of the door, position this on the base and either ask a helper to hold it in place or secure it to a step ladder.

With this in place you will then need to slot a cill section (EV0950) in next to it ready for the next side frame.

Do **NOT** fix any frames or cills to the aluminium base, this is done after the door has been installed.

Following the main instructions, work round the building installing the side frames.

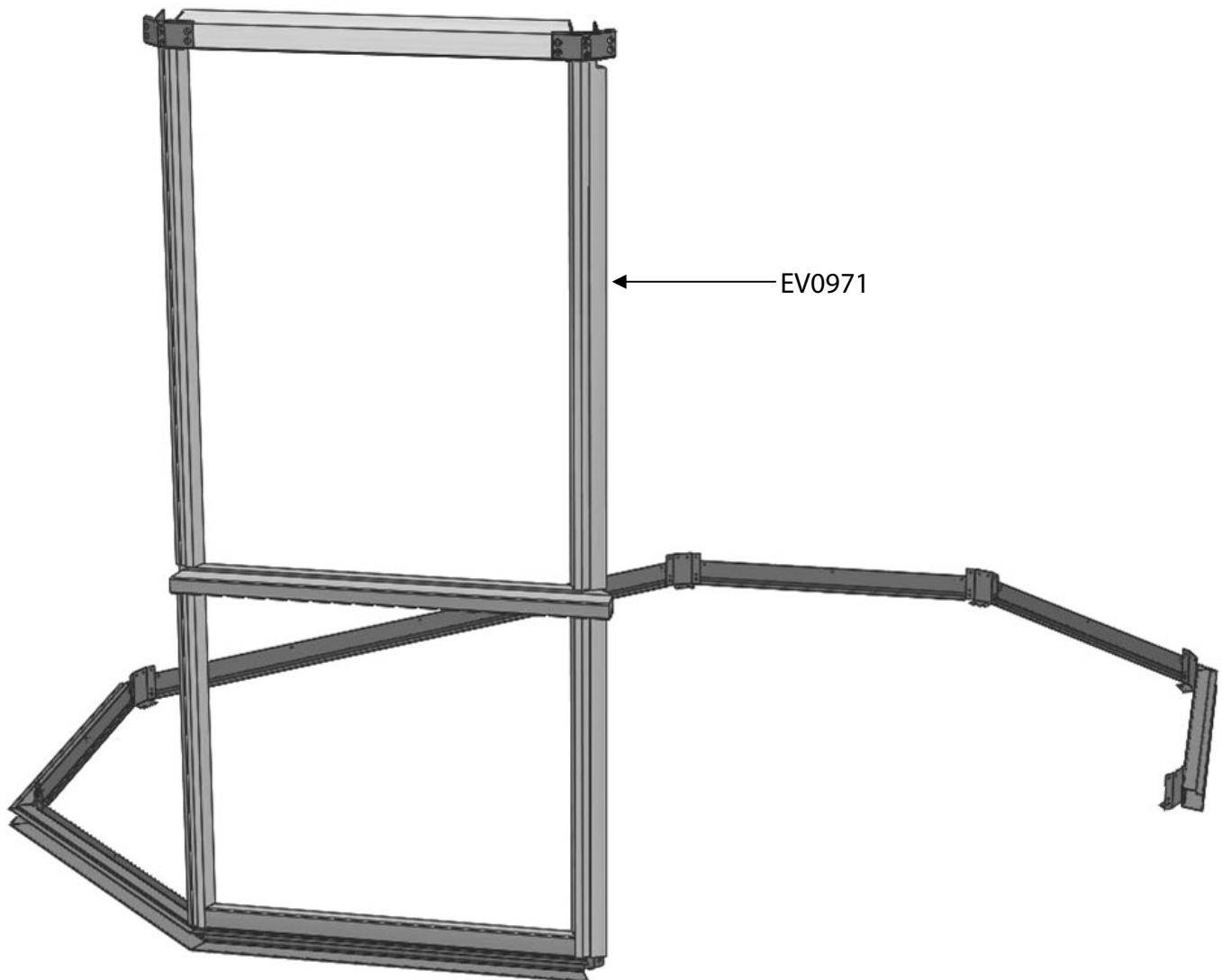


Diagram 18

Door Installation

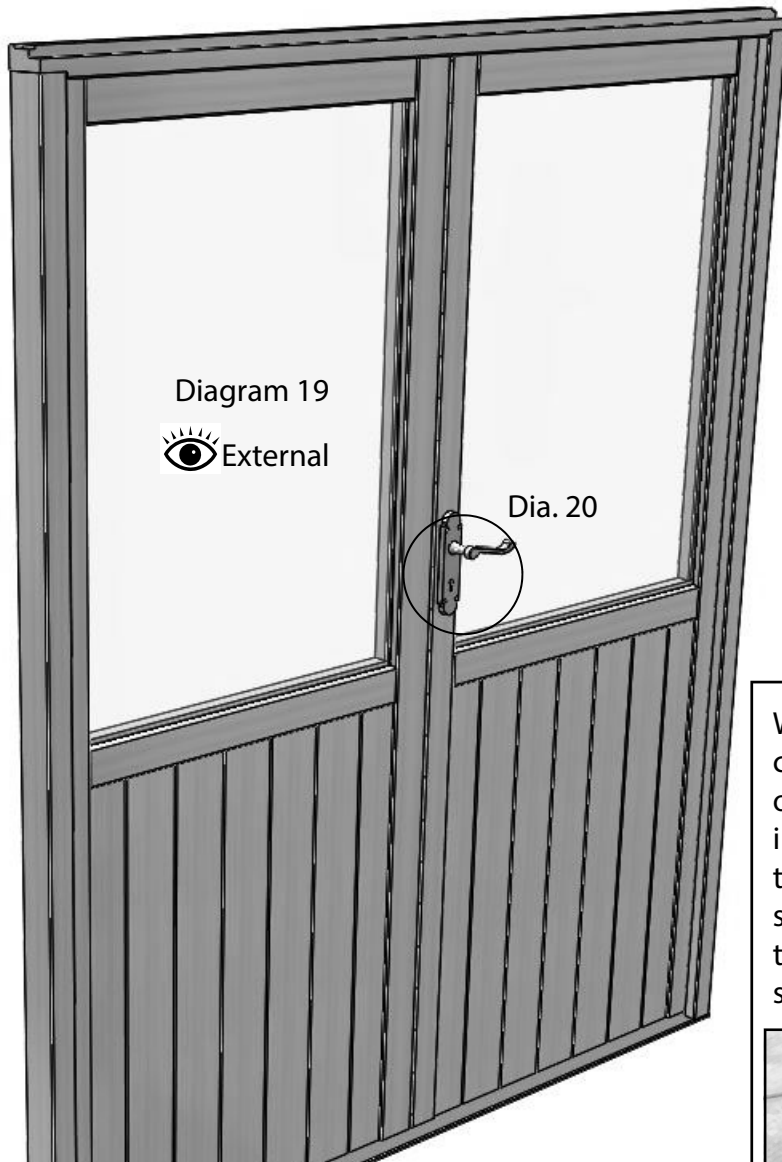
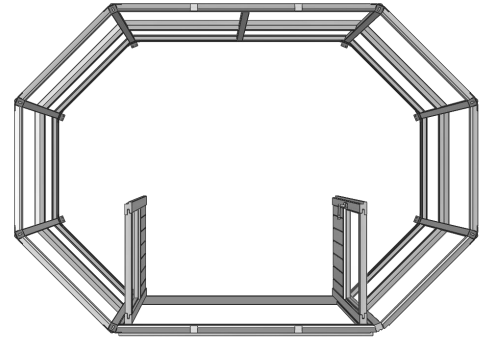


Diagram 19

External

Dia. 20



Before you can install the door section you need to fit the door handle. Slide the spindle through the lock to give you the position of the handle on the door. Fix the handle with the 3.5 x 25mm countersunk screws supplied (diagram 20).

When the door is fixed in position you can install the lower door stop to the rear of the slave door. Push the stop foot up into the body as far as it will go, you can then position the door stop on the door so the foot is 10-25mm off the floor. Fix this with 3.5 x 25mm countersunk screws.

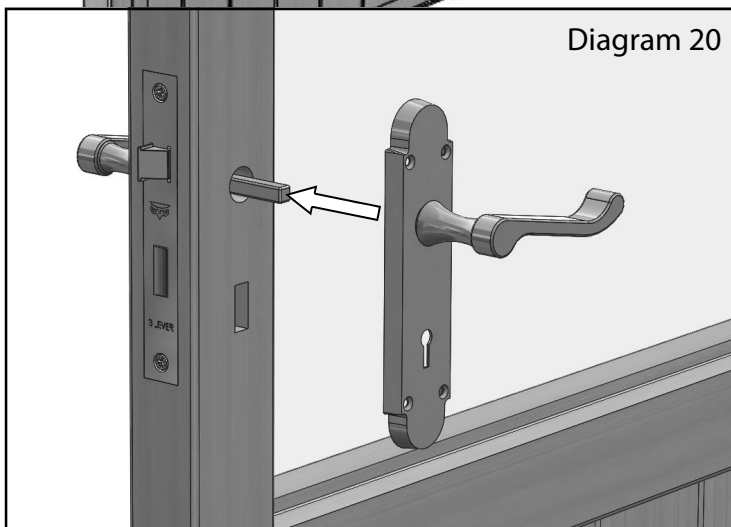
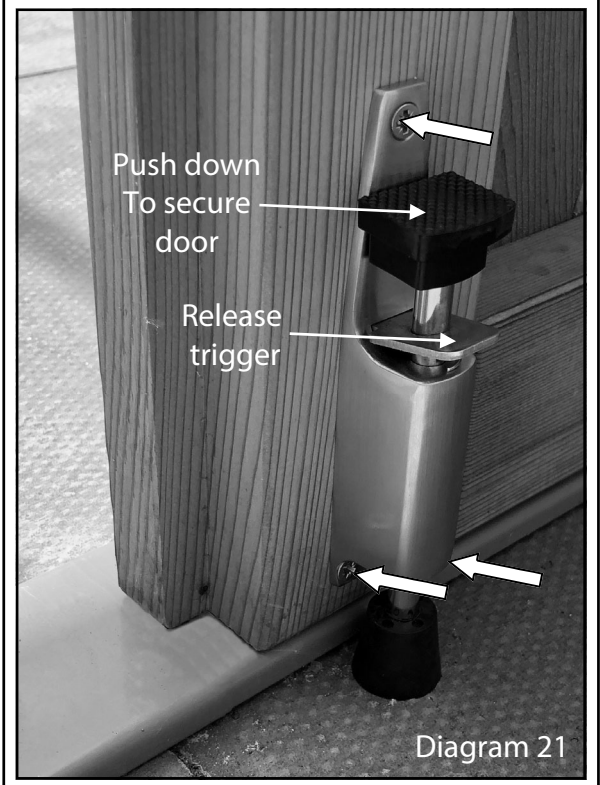


Diagram 20



Push down
To secure
door

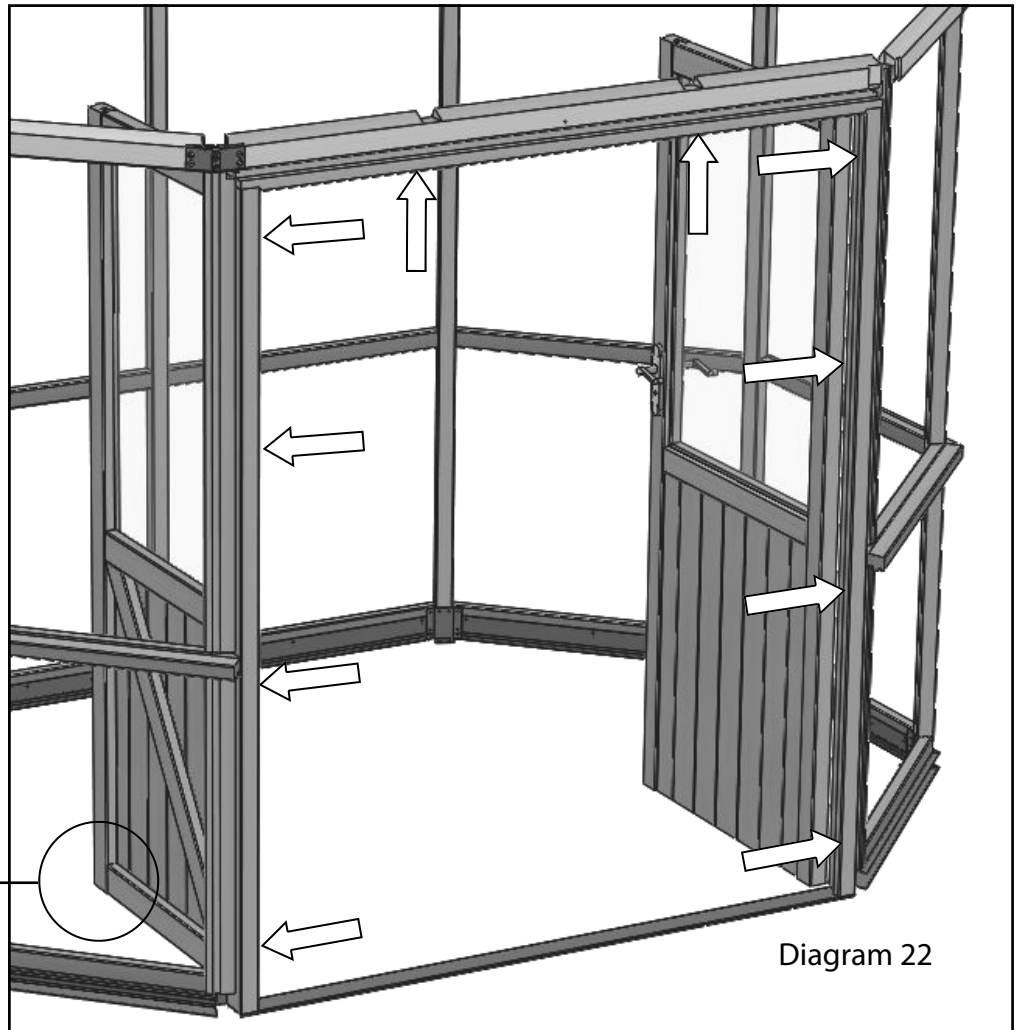
Release
trigger

Diagram 21

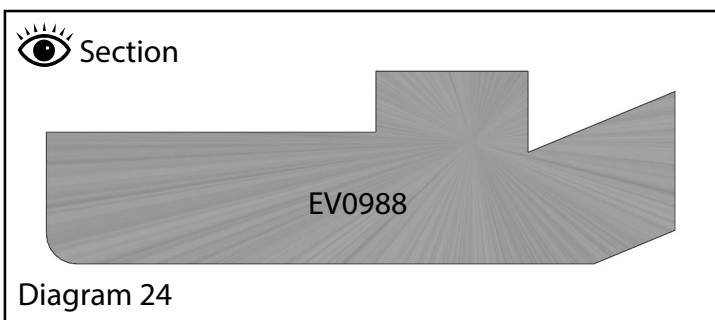
Door Installation

Slot the door section into the assembly, the internal surfaces should be flush. Once in position drill pilot holes and fix with 50mm screws (EV0333), suggested locations shown by the arrows in diagram 22.

Now return to the main instruction book and complete the rest of the installation.



N.B. When you come to fixing the boarded panels either side of the door you will find there are two special capping sections (EV0978) that are slightly wider to go either side of the door.



N.B. This is also the case when glazing the sides of your greenhouse, you will need to use the cedar capping (EV0988) either side of your door. This is always cedar, even if you have the optional aluminium capping.



Alton Greenhouses, TGP Ltd, Blythe Park, Cresswell, Stoke-on-Trent, ST11 9RD

Telephone: 01782 385 409 www.Altongreenhouses.co.uk sales@altongreenhouses.co.uk