

Placement of the Greenhouse

The placement of the greenhouse varies by intended usage, climate, location, and space available. There is a wealth of information to be found online on this subject, here are some considerations:

- Will your greenhouse be in full sun or get afternoon shade? Glass greenhouses do what they are intended to do - heat up quickly on sunny days. Great for the winter, but depending on your climate, it can be a challenge during summer months. Think about what you will be growing as well as the seasonal usage of your new greenhouse to determine appropriate sun exposure. It may help to watch the seasonal variations of sun angles in your yard to determine the placement.
- Depending on what you are growing and where you are located, you may wish to orient your greenhouse east/west or north/south - many garden bloggers have weighed in on this and research may help you consider the options. In many areas of the US, we do get plenty of hours of sunlight. Some users end up placing the greenhouse based on layout/space available, aesthetics and convenience.
- The site must be level. If it is not, you will need to prepare the area to provide a firm and level surface to construct your greenhouse. This may include building a retaining wall or placing your greenhouse on a stem wall - or just leveling out the site. Consider rainwater flow in your yard if you are in a hilly area.

Foundation and Anchoring

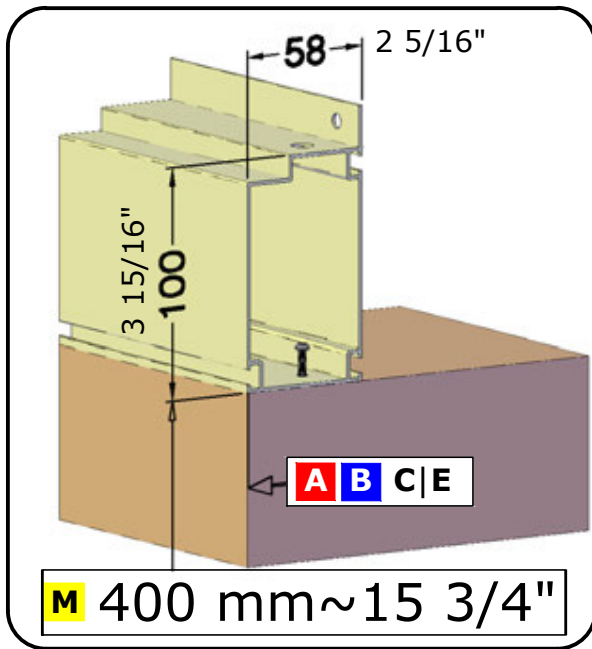
All greenhouses must be securely anchored. All Victorian greenhouses include corner brackets attached to the foundation/base frame that extend an additional 12" below ground level. The Junior Orangerie will include 8 corner anchors for every corner of the greenhouse. If you are in a very high wind area or are trying to meet the structural specifications for a permit - you may wish to purchase additional corner anchor posts (PRO210) for use at the vertical members.

The manufacturer recommends an 8" wide concrete strip foundation that extends down to the frostline in your area. Please consult your local building codes for this information. It is recommended to leave a 4" diameter hole at the corner for the anchors to be embedded in concrete after the greenhouse frame is assembled and it is confirmed to be level and square.

Alternatively, you may also choose to anchor the greenhouse by trimming the corner anchors off at ground level, cutting them in sections to be used as L brackets to secure the greenhouse frame to your anchoring surface with the appropriate hardware.

Some users have chosen a variety of alternative anchoring methods based on their climate, location, soil composition, and site considerations. These include full concrete slabs, concrete footers, pier and beam constructions, and even timbers. If you are considering the use of wood in your construction, be aware that your greenhouse will likely outlast your wood. If you use pressure treated wood, it is recommended to use a barrier material between the wood and the aluminum frame. When planning your anchoring method, you should keep in mind frost line/ground heaving, wind load, greenhouse location, ground composition, weather, climate, and local building code. If you are unsure, you should consult with a local and experienced builder. Warranty coverage does not extend to damage resulting from improper anchoring of the greenhouse outside of manufacturer's recommendations (see above).

Junior Victorian - Wall Mount



A = 93"

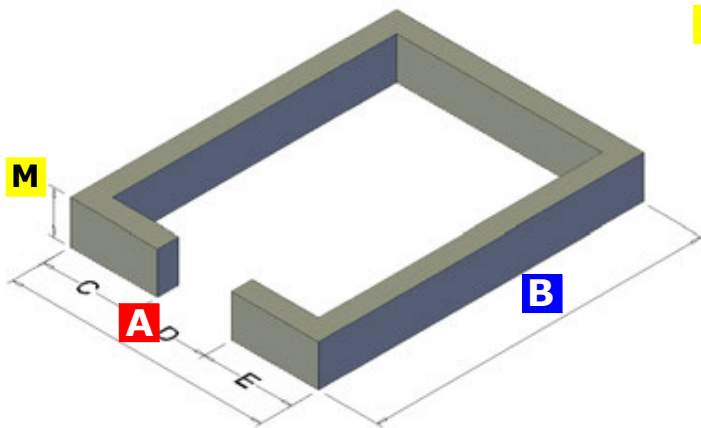
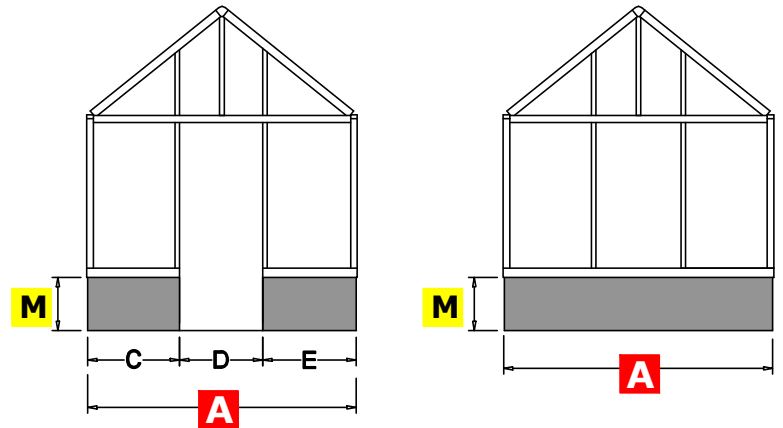
B = 122" / 151" / 180"

C = 829mm ~ 32.6"

D = 703mm ~ 27 2/3"

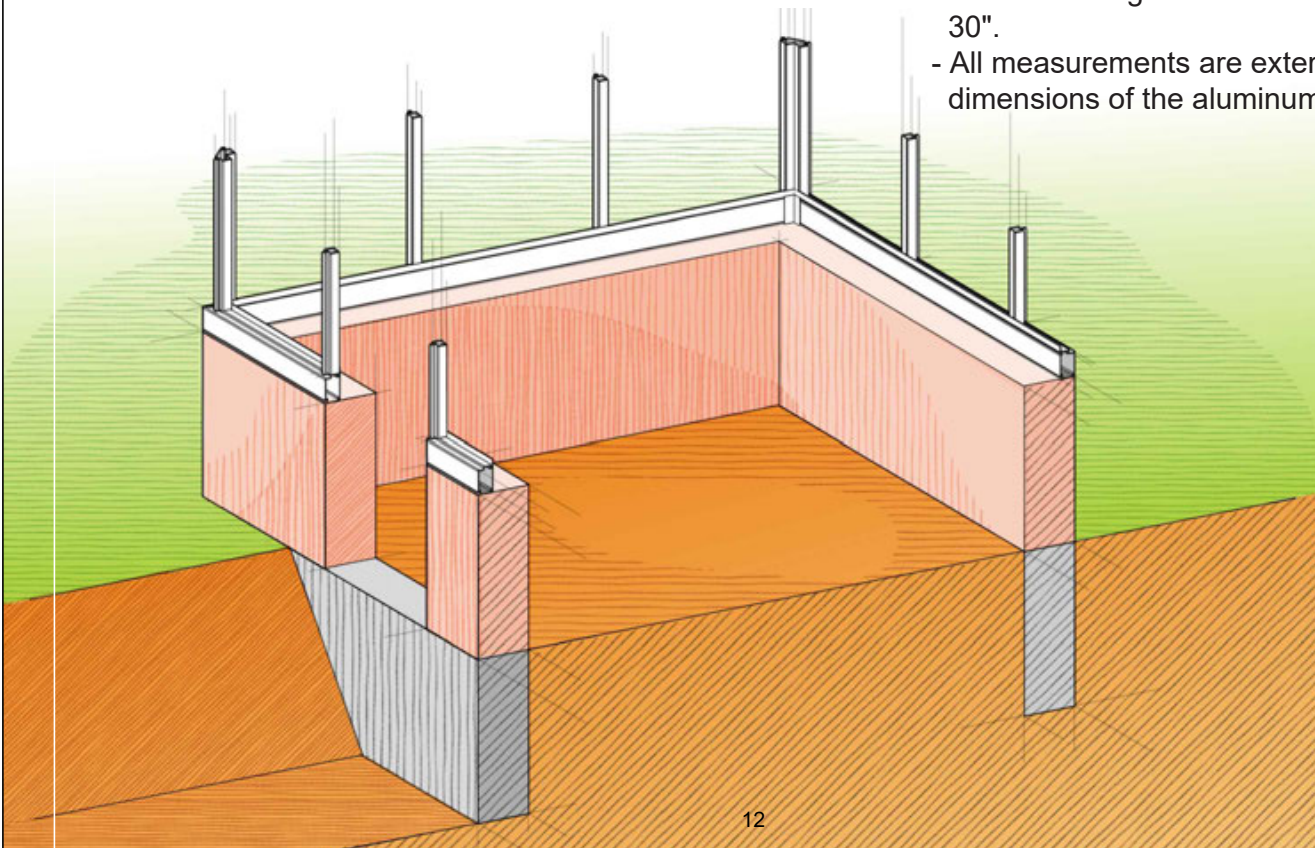
E = 829mm ~ 32.6"

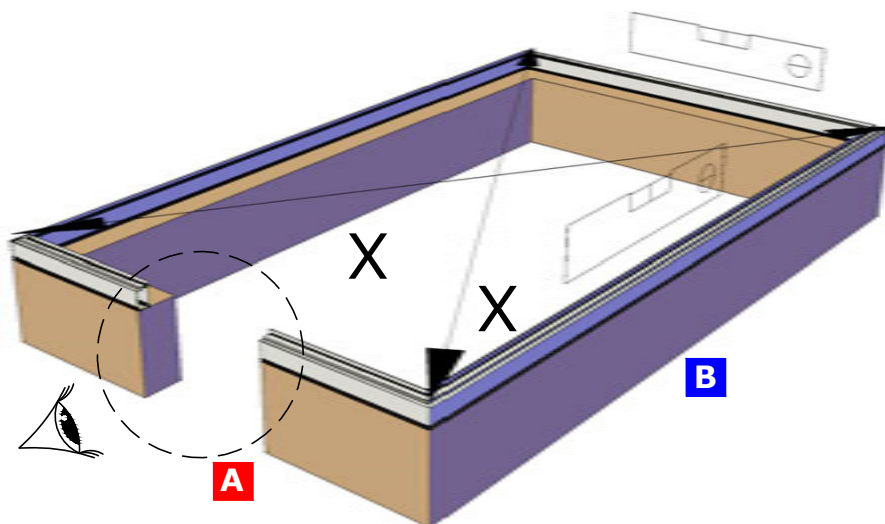
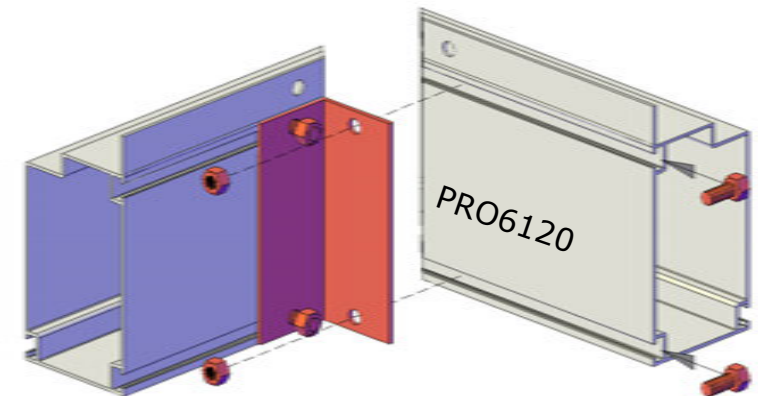
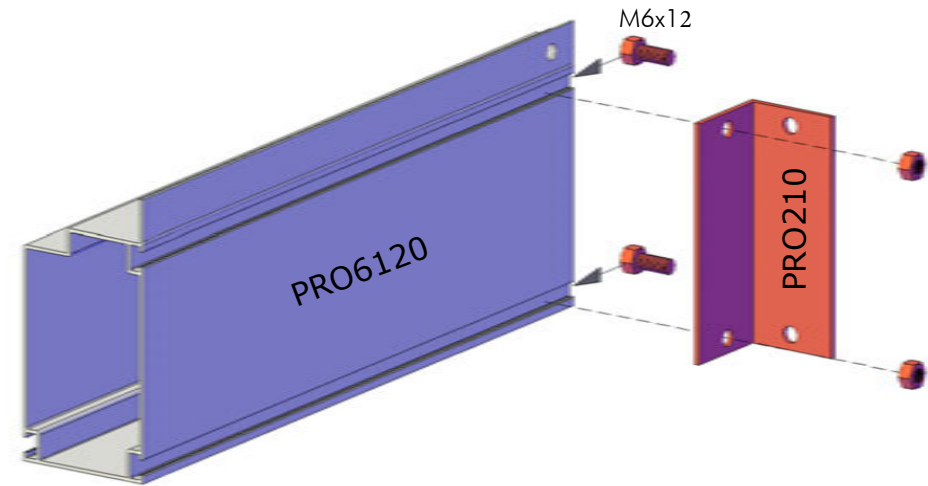
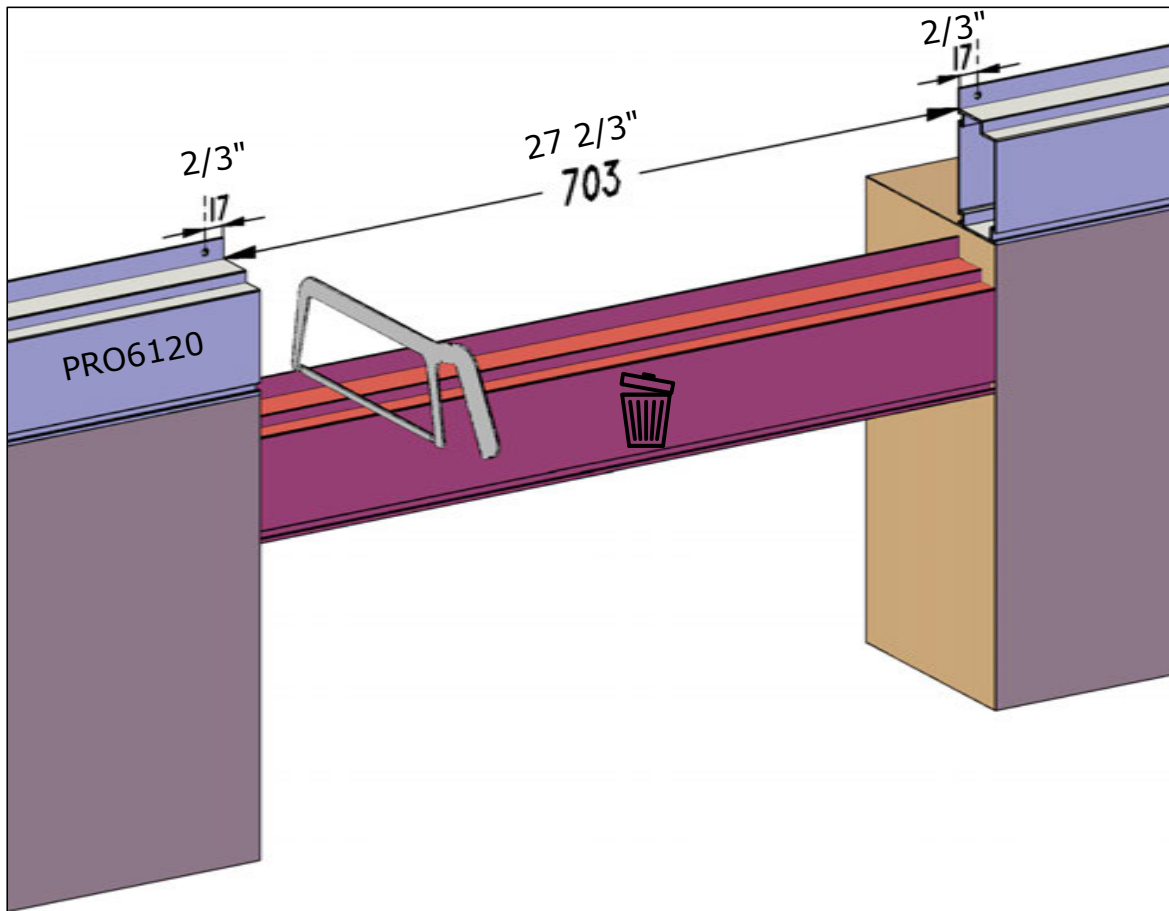
!!! A = C + D + E !!!



Notes about stem walls:

- Read notes on previous and following pages to understand anchoring options, and measurements of frame for thickness of your wall.
- Your doorway may be placed on the gable end or long side.
- Stemwall height is determined by you, maximum height with standard kit is 30".
- All measurements are external dimensions of the aluminum profiles.





- You will have (4) 15 3/4" long L brackets.
- Cut off 4" of the L bracket to connect the foundation frame pieces together.
- Cut the remaining 11 3/4" into thirds and flip horizontally to mount the top half into the foundation frame and the bottom half into the concrete or other foundation.
- Use self-tapping screws or pre-drill and use normal screws to mount the top part into the foundation frame of the greenhouse.
- Use concrete anchor screws (link provided below) to attach the bottom part to your concrete. We HIGHLY recommend pre-drilling and using a hammer drill to drill the anchors in.

