

# HELIOS/EOS T-model



ASSEMBLY INSTRUCTIONS

Version 2022

*Assembly Videos can be found by scanning the code to the left with your smartphone.*



[www.exaco.com](http://www.exaco.com)  
877-760-8500

Or find the link to our YouTube page at [www.exaco.com](http://www.exaco.com). Go to the Victorian Greenhouse Playlist for all videos.

*Note: This is an all-inclusive manual. It shows optional accessories and customizations that may not apply to your greenhouse. Direct any questions to Exaco.*

---

# PRODUCT INFORMATION

Dear customer

Thank you for buying a high-quality aluminum greenhouse.

## REMARKS

In all drawings you find the mounting-instructions for all basic standard-models. However this manual should be a sufficient guidance for all special-case greenhouses. This greenhouse is designed for cultivation of plants/flowers. Therefore leakage, water drops and condensation inside the building are allowed. The building may only be entered by competent persons during cultivation or maintenance. Aluminium profiles that are not painted may show black stains, these stains are not a production error: they can be easily removed with a aluminium cleaner available at every good drugstore. The rubber strips have been treated with oil/silicone on the interior to facilitate the assembly. The building should be mounted on a solid concrete foundation deep enough to get a solid and frost-free ground. Anchoring of the foundation should be made by the owner or operator and should be checked periodically. During winter the roof has to be cleared of snow or supported in a suitable way. The greenhouse should be built in a location protected from strong winds. Protective gear (such as protective gloves) should be used during mounting in order to avoid injuries. One should at all times pay attention to the local building regulations.

- Sorting of the profiles according the model.
- Mounting of the complete aluminum construction.
- Leveling of the construction using a water level.
- Securing the building to the ground
- Glazing.

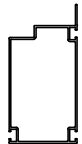


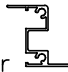
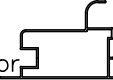
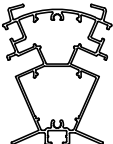
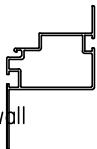
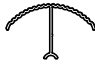

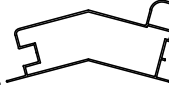
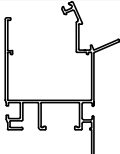
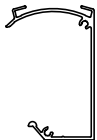
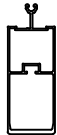


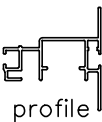


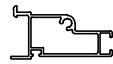

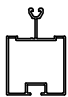
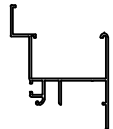

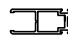
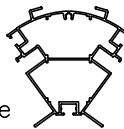
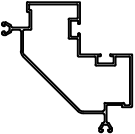

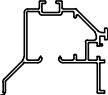

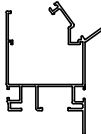
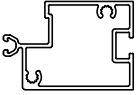
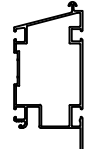



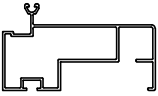
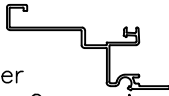
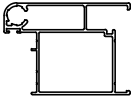


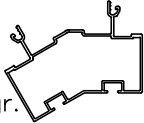
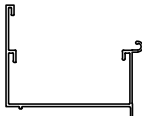
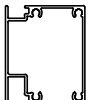
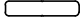

## ASSEMBLY ORDER

The assembly procedure is the same for all our greenhouses.

## REQUIRED TOOLS

Socket wrench nr. 10 or spanner nr. 10, water-level, screwdriver, drilling machine + drill 4.2 mm, scissors (to cut the rubber).

We reserve the right to change the construction without prior notice!

<p><b>PRO6120</b> Fundering Foundation profile</p> 	<p><b>PRO1454</b> Tussenregel Hor.gable prof. Orangerie</p> 	<p><b>PRO1449</b> Glaslat var.hoek Variable glazing bar</p> 	<p><b>PRO42142</b> Aanslag draaideur Siding turning door</p> 	<p><b>PRO6964</b> Stolp dub.ddeur Middel.dub.turn.door</p> 
<p><b>PRO6760</b> Nok Helios Ridge profile</p> 	<p><b>PRO37358</b> Fundering op muurtjes Special bottomprofile on wall</p> 	<p><b>PRO1450</b> Scharnier var.hoek Hinge variable glazing bar</p> 	<p><b>PRO7615</b> Scharnier dakraam Topprofile roofwindow</p> 	<p><b>PRO6965</b> Stolp dub.ddeur Middel.dub.turn.door</p> 
<p><b>PRO20227</b> Goot Helios Gutter Helios</p> 	<p><b>PRO42786</b> Muurnok Arcadia Ridge Arcadia</p> 	<p><b>PRO33325</b> Daklat Arcadia Roofbar Arcadia</p> 	<p><b>PRO7609</b> Zijkant dakraam Sideprofile roofwindow</p> 	<p><b>YSER</b> Versteving serres Reinforcement profile</p> 
<p><b>PRO20229</b> Tussenregel Horizontal gable profile</p> 	<p><b>PRO33329</b> Scharnier nok Hinge ridge Arcadia</p> 	<p><b>PRO40352</b> Vert.schuifdeur Vert.sliding door</p> 	<p><b>PRO7610</b> Onderkant dakraam Bottom roofwindow</p> 	<p><b>PRO37359</b> Schap/zaaibak gordijnkast</p> 
<p><b>PRO1456</b> Glaslat Glazing bar</p> 	<p><b>PRO33328</b> Goot Arcadia Gutter Arcadia</p> 	<p><b>PRO6121</b> Deurkader hor. Horizontal prof.sliding door</p> 	<p><b>PRO25827</b> Kader schuifraam Kader schuifraam</p> 	<p><b>PRO40091</b> Nok Helios Antique Ridge Helios Antique</p> 
<p><b>PRO6578</b> Hoekstijl Corner profile</p> 	<p><b>PRO33327</b> Gootscharnier Arcadia Gutter-hinge Arcadia</p> 	<p><b>PRO7876</b> Deurgeleider Guide sliding door</p> 	<p><b>PRO1455</b> Geleider schuifraam Guiding sliding window</p> 	<p><b>PRO20779</b> Goot Helios Antique Gutter Helios Antique</p> 
<p><b>PRO29909</b> Deurstijl Doorpost</p> 	<p><b>GDO</b> Gootdrager Roofbeam Orangerie</p> 	<p><b>PRO39796</b> Geleider schuifdeur Bottom guide slinding door</p> 	<p><b>PRO20780</b> Glashouder Glas-secure profile</p> 	<p><b>PRO1748</b> Rubber serres Rubber greenhouses</p> 
<p><b>PRO6918</b> Eindlat dak Endbar roof</p> 	<p><b>GSO</b> Gootscharnier Hinge gutter Orangerie</p> 	<p><b>PRO6954</b> Deurkader zijkant Doorframe side</p> 	<p><b>PRO29973</b> Prof. schermdoek Screening profile</p> 	<p><b>PRO2290</b> Zware rubber PPL Heavy duty rubber</p> 
<p><b>PRO7926</b> Hoek 150gr. Corner prof. 150gr.</p> 	<p><b>GTO</b> Goot Orangerie Gutter Orangerie</p> 	<p><b>PRO6953</b> Hor.draaideur Hor.turning door</p> 	<p><b>PRO21214</b> Trekker-windverband Side bracings</p> 	<p><b>PRO5538</b> Halve rubber Helios Half-rubber Helios</p> 

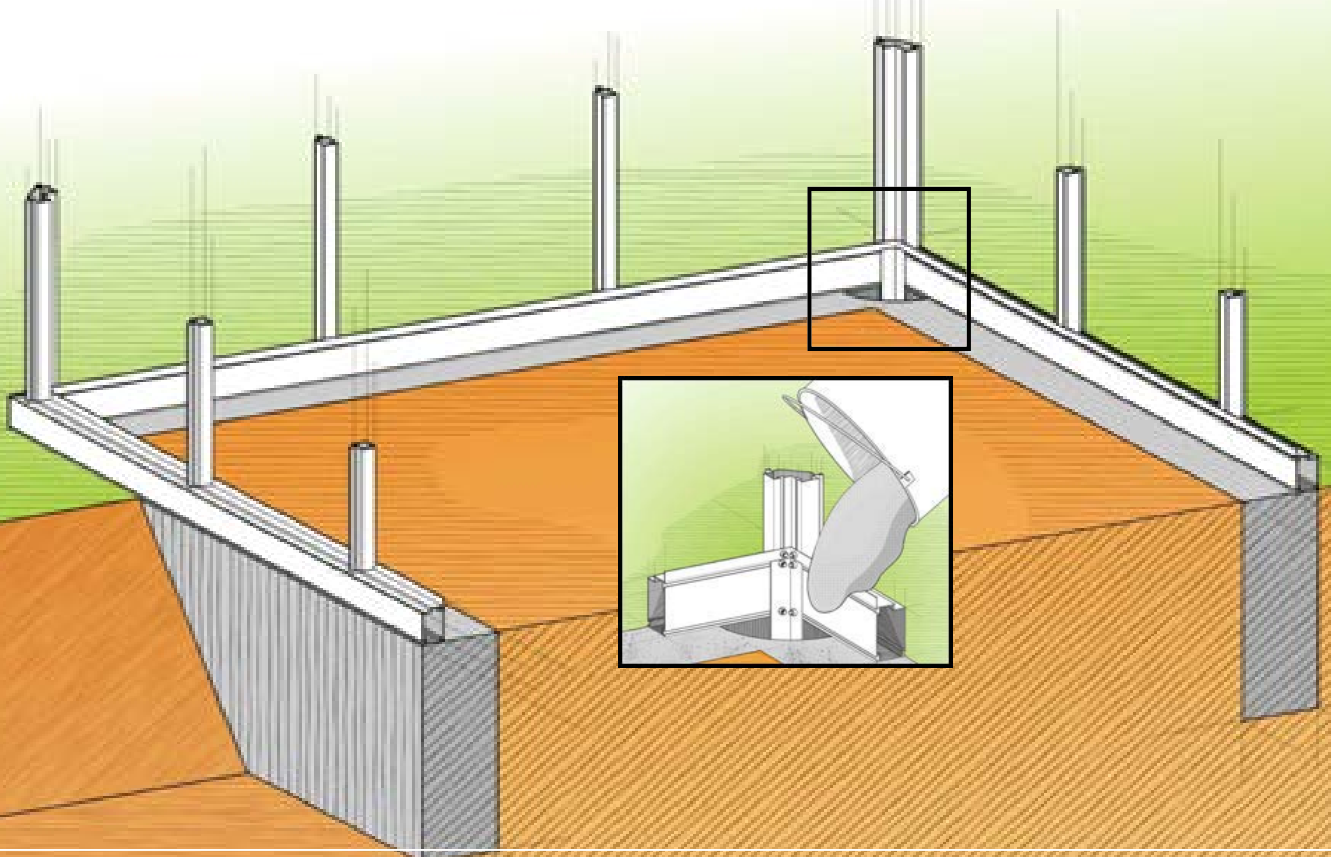
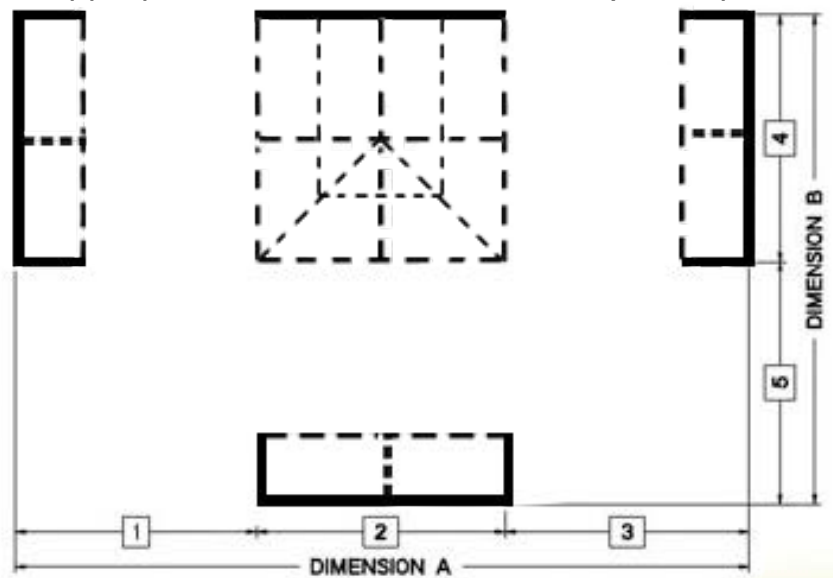
# Standard Royal Orangerie

Please call Exaco for measurements if you have a custom greenhouse.

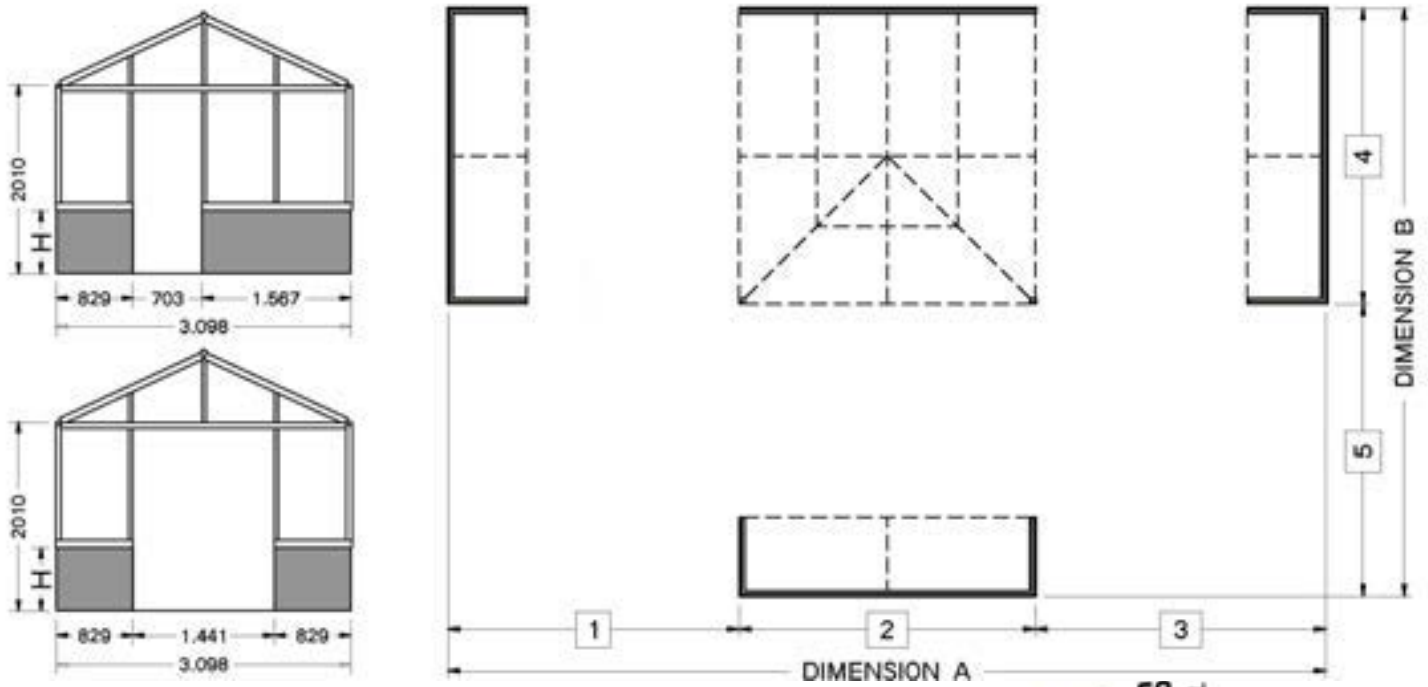
## Notes:

- Do not set anchors in concrete until the entire greenhouse frame is complete, level and square. You will need some play to attach the uprights.
- It is recommended to build your foundation down to the frost line in your area and/or consult a local contractor for recommendations.
- Greenhouse base frame is 2.25" wide
- Corner anchor posts are 1.5" x 1.5". They attach at the interior corners of the base frame, then extend 12" below ground. Bolts attach to the bottom of the anchor to be a "catch" in the concrete. We recommend leaving a 4 to 6" hole in your concrete for the anchor. Do not embed the corner anchors into concrete until the greenhouse structure is built, leveled and square.
- Embedding the corner anchor into concrete is the most secure method, although you may choose to trim them off, cut in half, and use as L brackets to attach to the greenhouse and foundation with the appropriate stainless steel screws (i.e. Tap Con screws for concrete)

A = 1+2+3	1	829mm
	2	3098mm
	3	829mm
B = 4+5	4	3098mm
	5	829mm



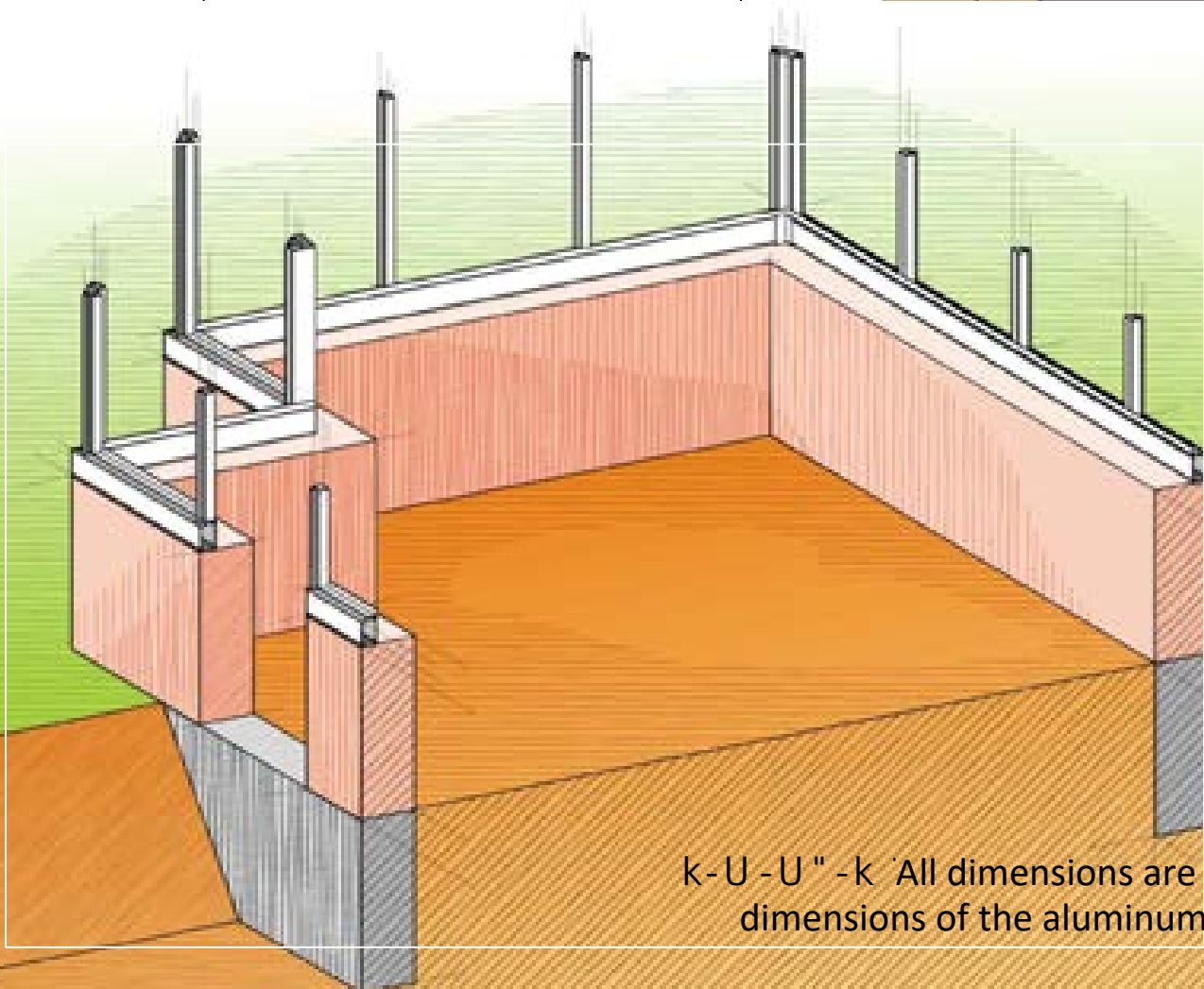
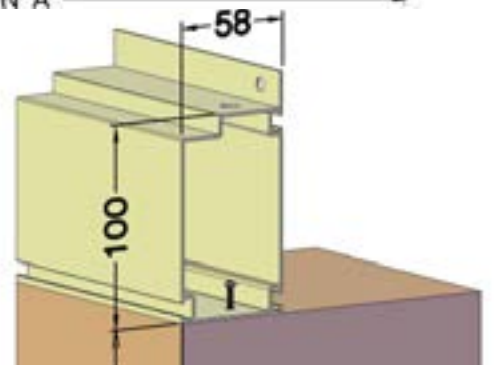
# Royal Orangerie on a Stem Wall



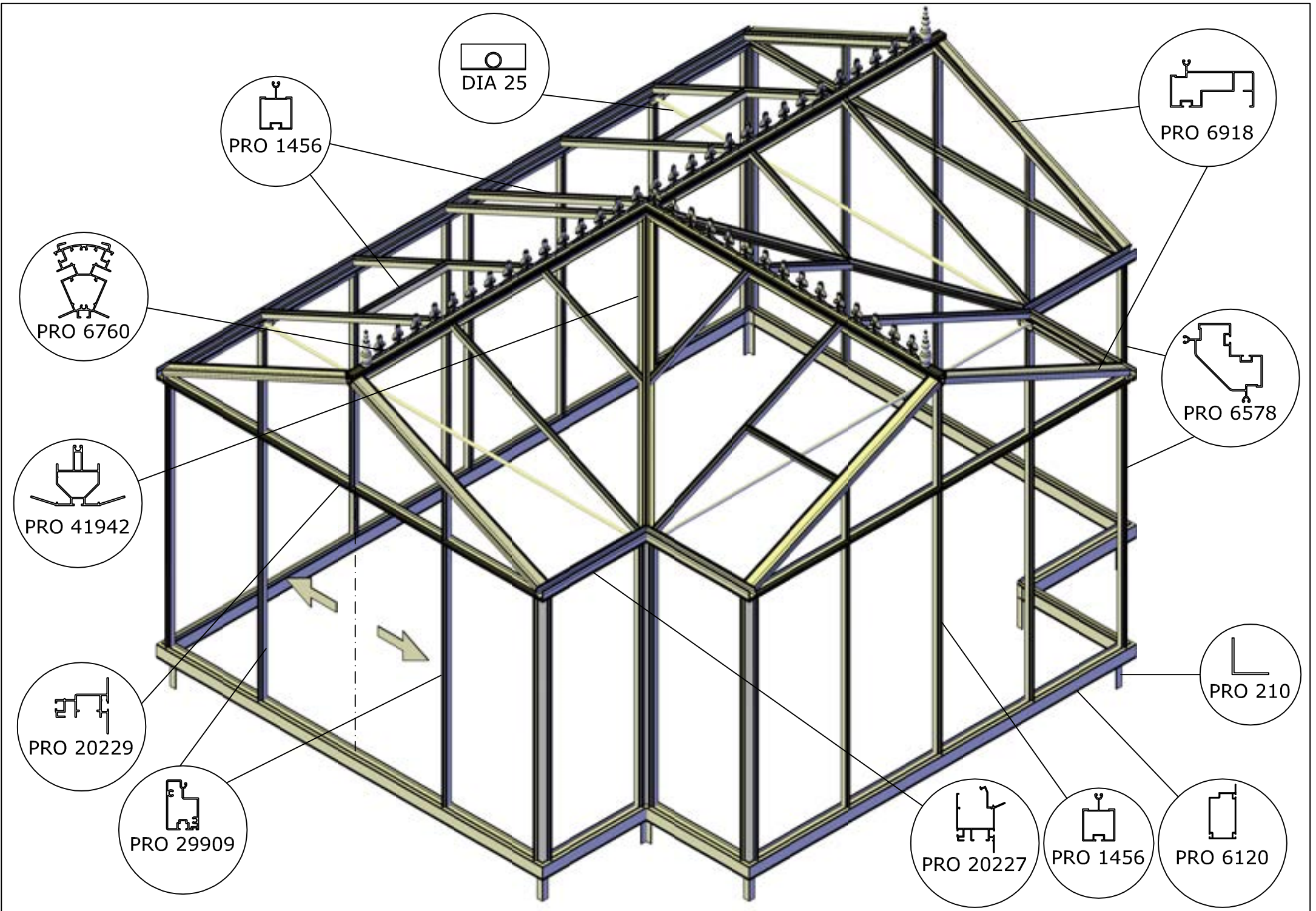
HELIOS T MUR + EOS T MUR

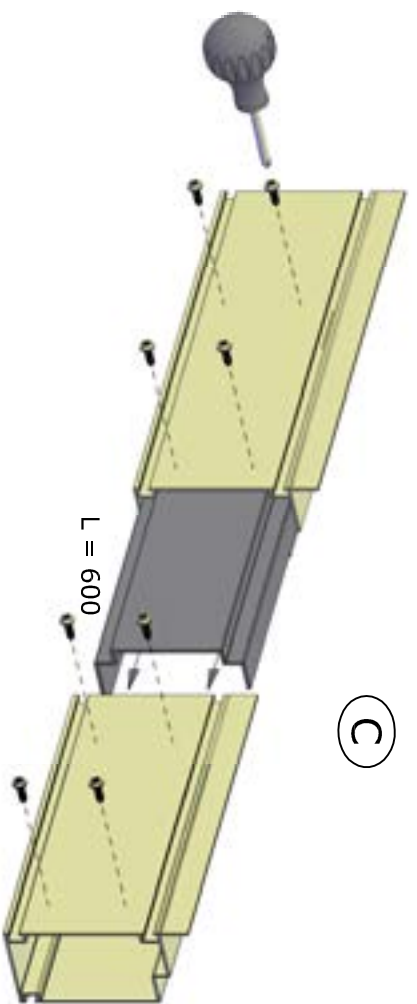
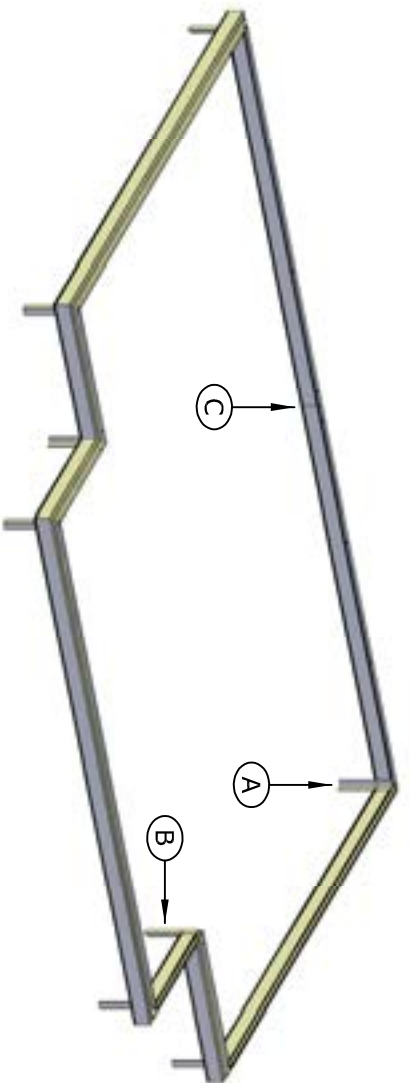
A  
= 1+2+3

- |   |         |
|---|---------|
| 1 | 829mm   |
| 2 | 3.098mm |
| 3 | 829mm   |



k-U-U"-k All dimensions are external dimensions of the aluminum profiles

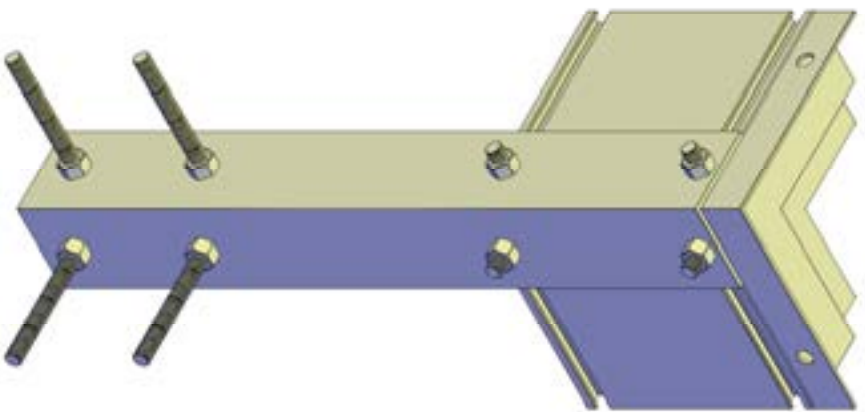
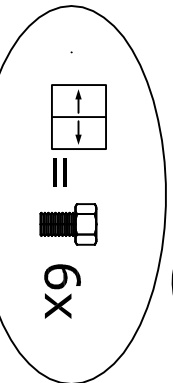
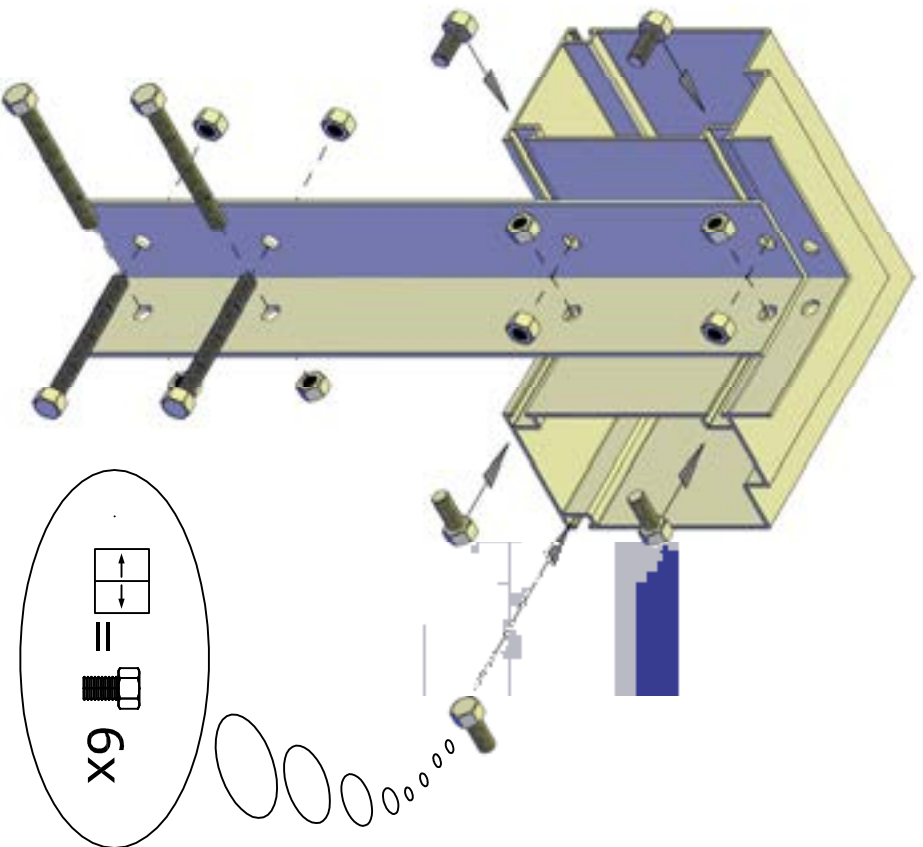




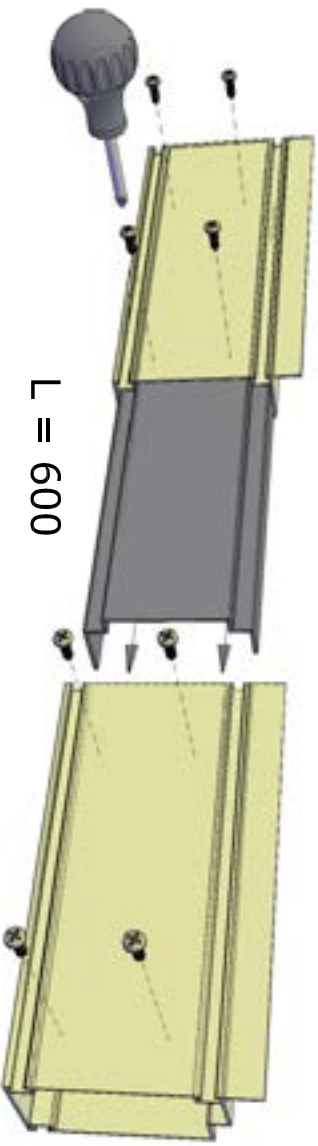
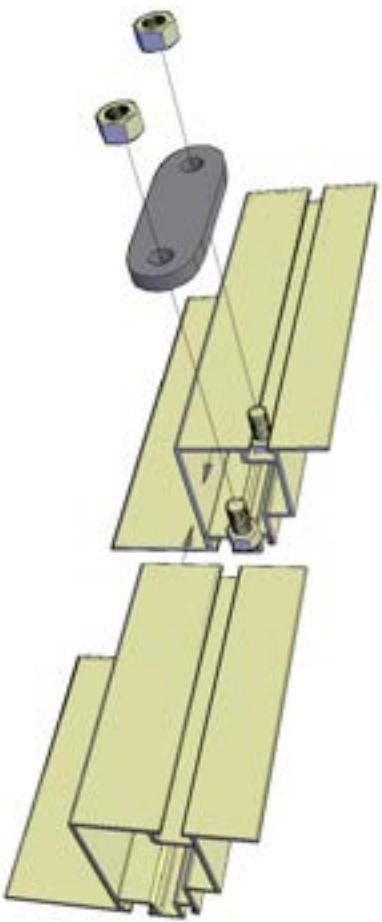
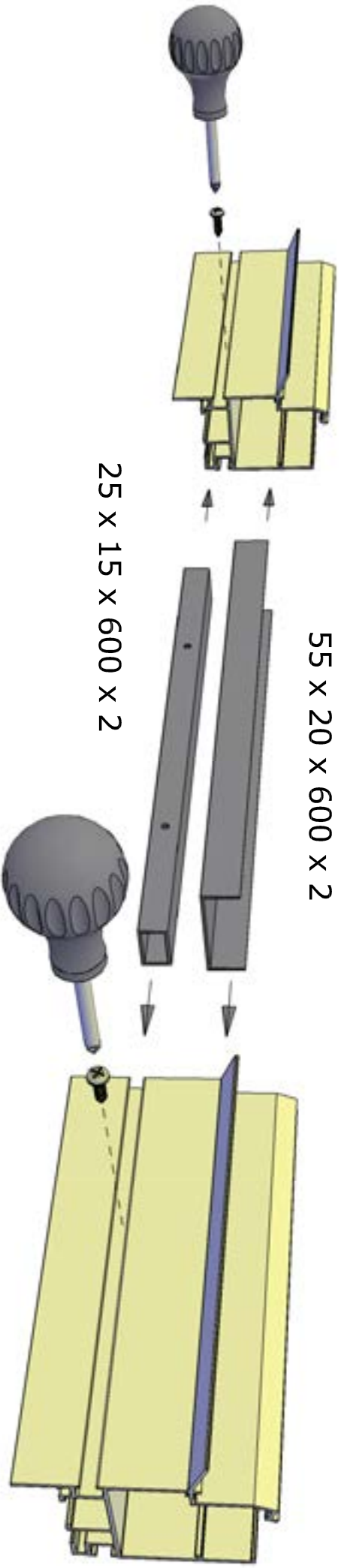
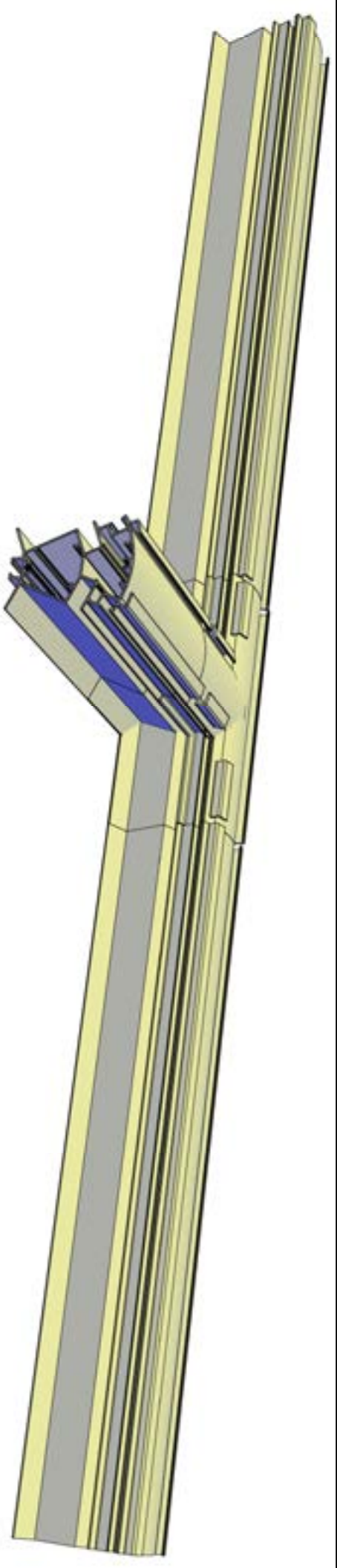
(A)

(B)



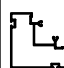

(C)

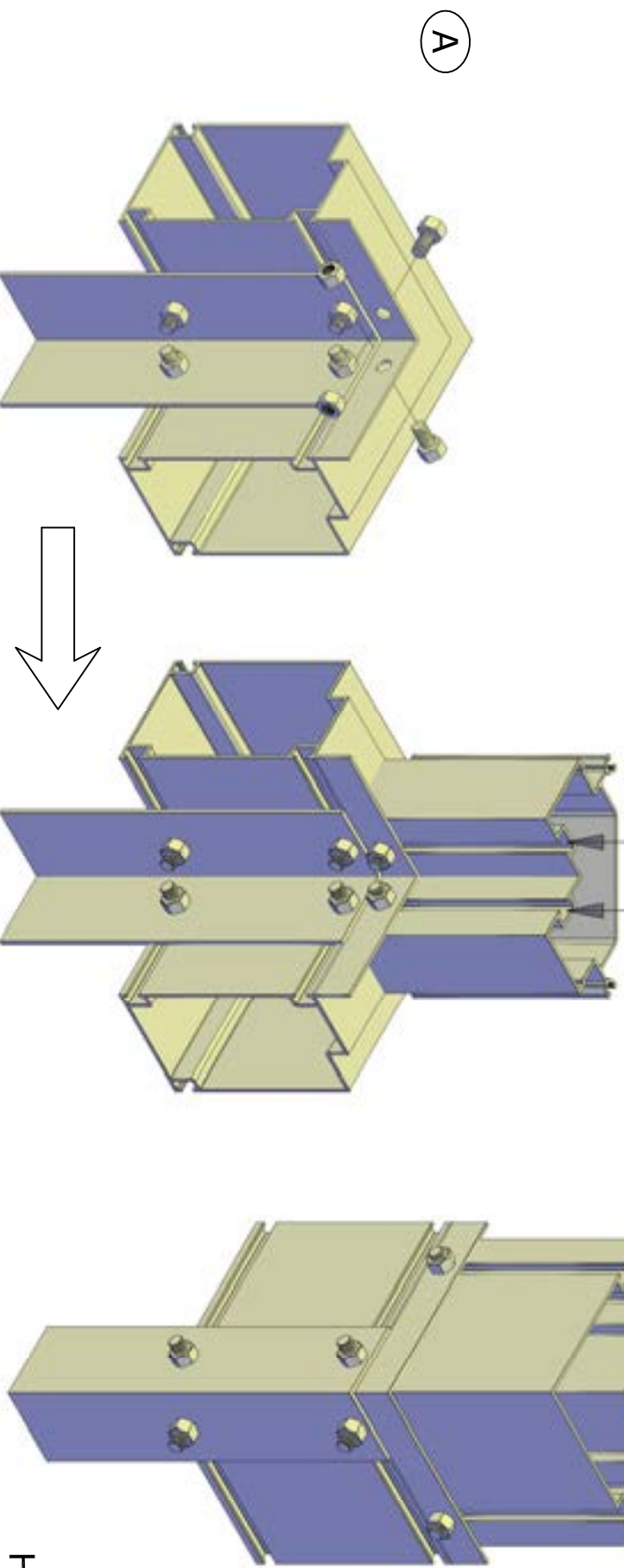
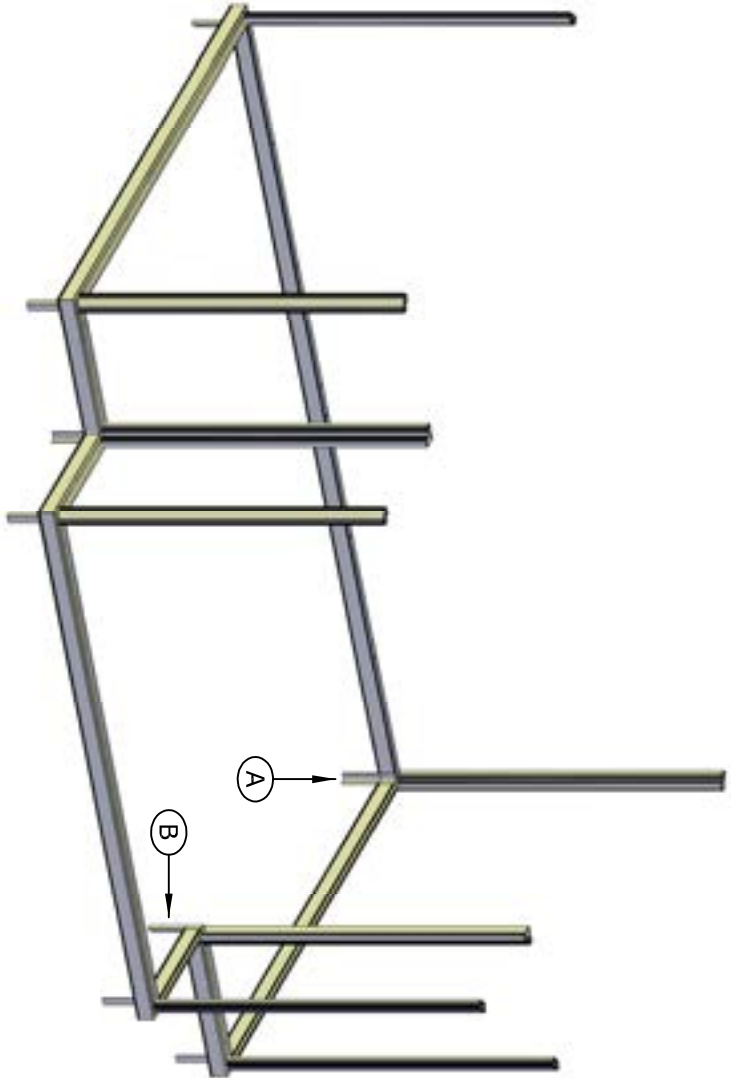
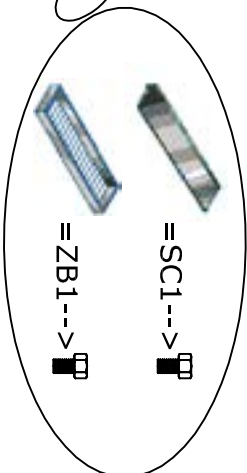


Item	pc.	L
PRO210	6pc.	300 mm
PRO6120	2pc.	2.378 mm
PRO6120	3pc.	3.098 mm
PRO6120	2+2pc.	829 mm
M6x15	32pc+6pc + 4pc	
M6x60	32pc	





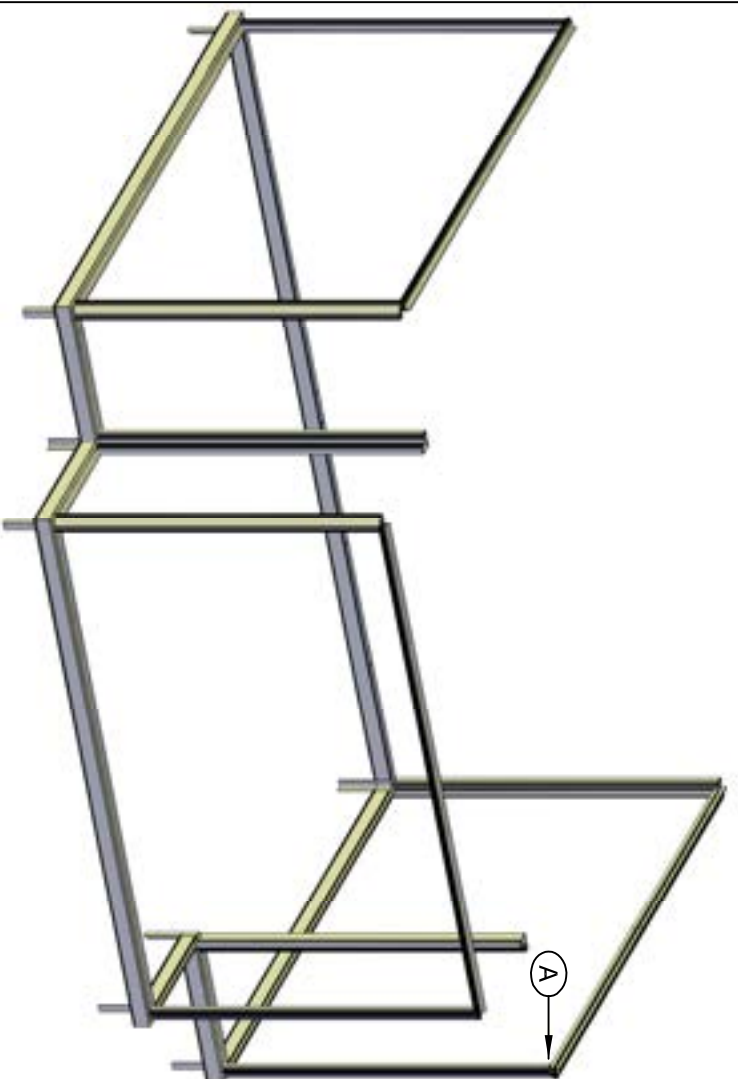


Item	pc.	L
 PRO6578	6pc.	1.830 mm
 M6X15	16pc (+2pc) (+2pc)	
 PRO40633	2pc.	1.830 mm
 L 30X30	2pc.	1.830 mm

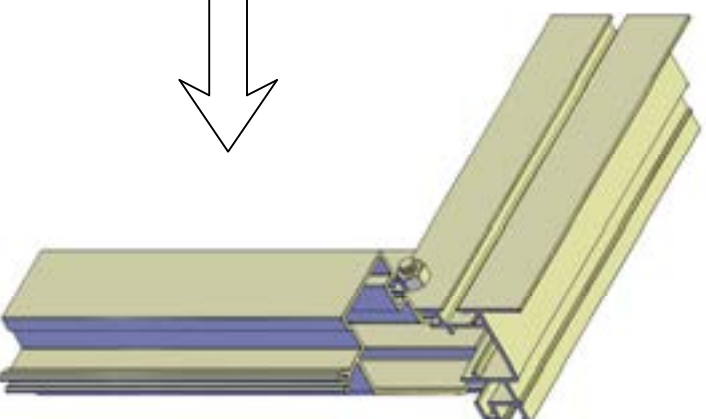
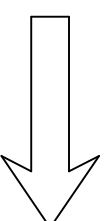
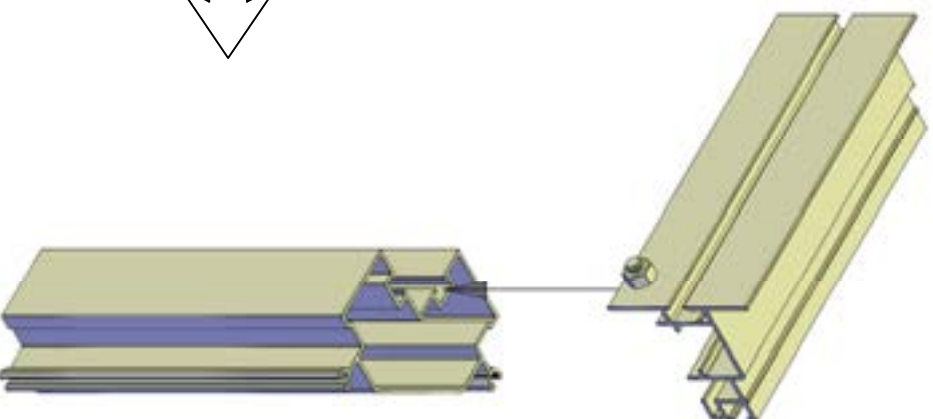
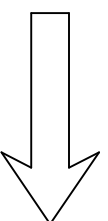
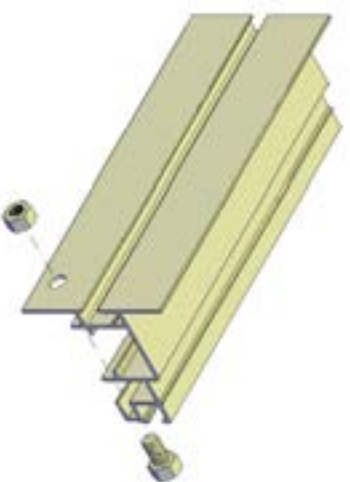


HO2

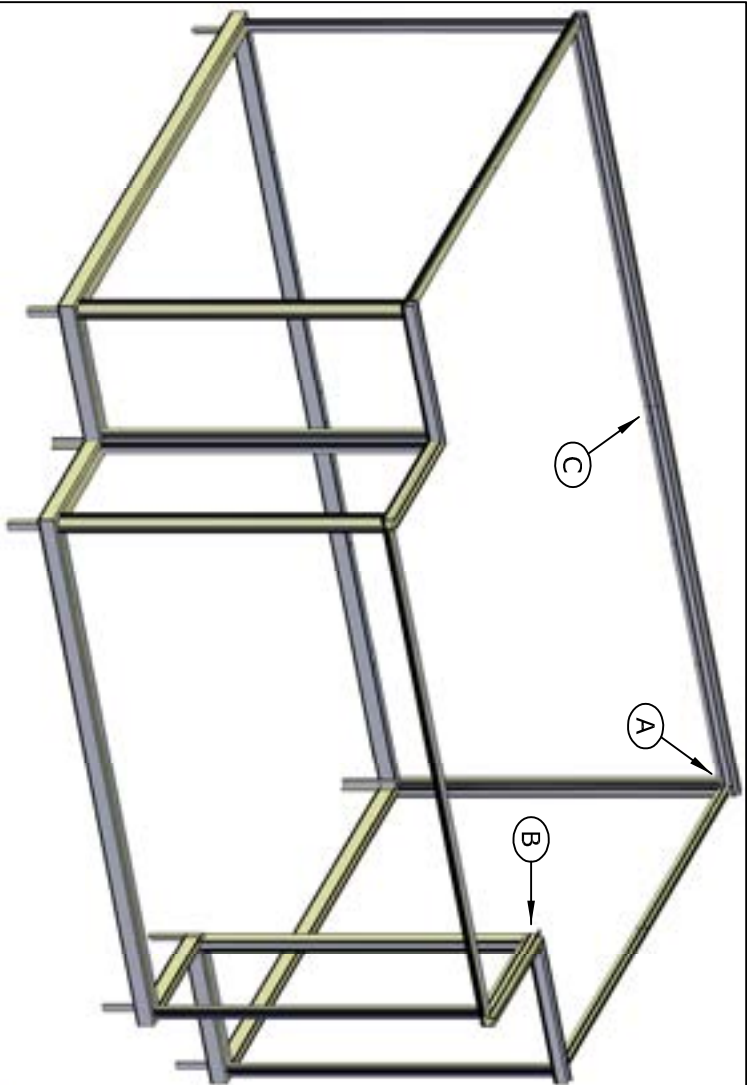
Item	pc.	L
 PRO202229	3pc.	2.982mm
 M6X15	6pc.	



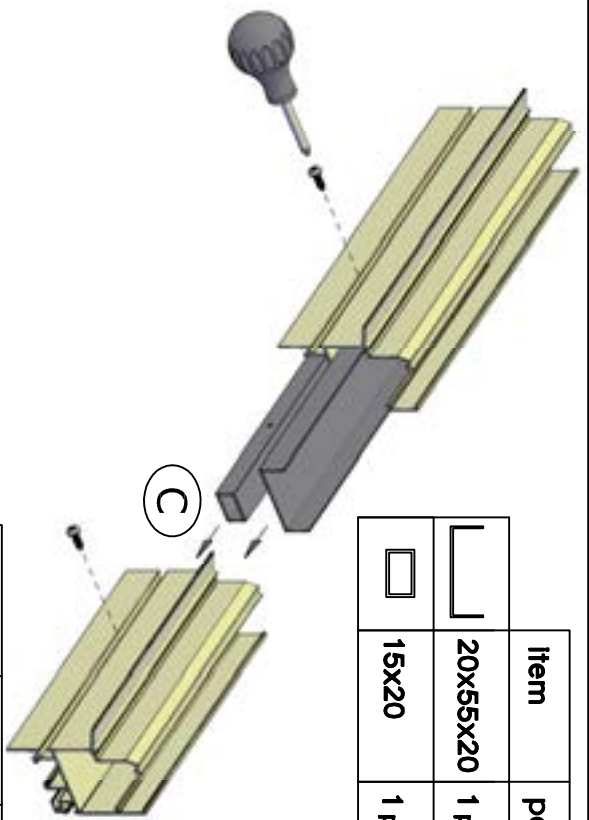
A



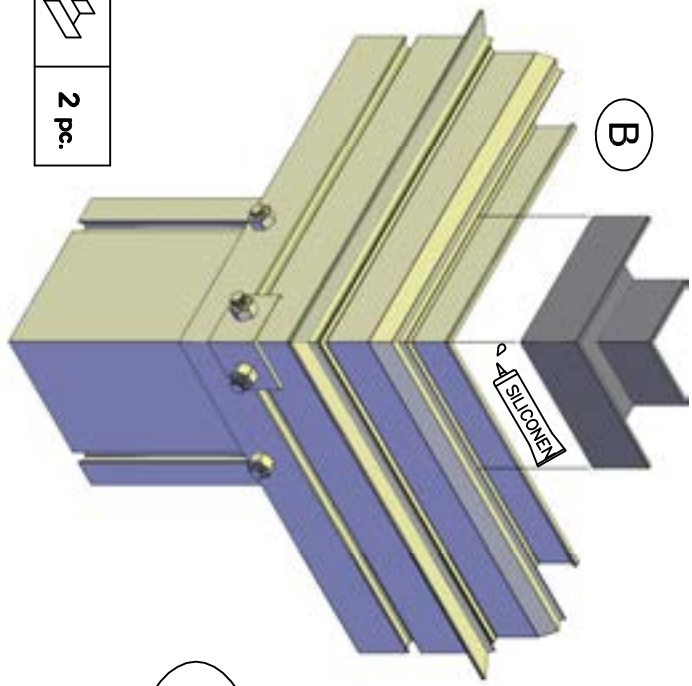
HO3



Item	pc.	L
	20X55X20	1 pc. 600 mm
	15X20	1 pc. 600 mm



Item	pc.	L
	PRO20227	2 pc. 2.378mm
	PRO20227	2+2 pc. 829mm
	M6X15	10 pc.

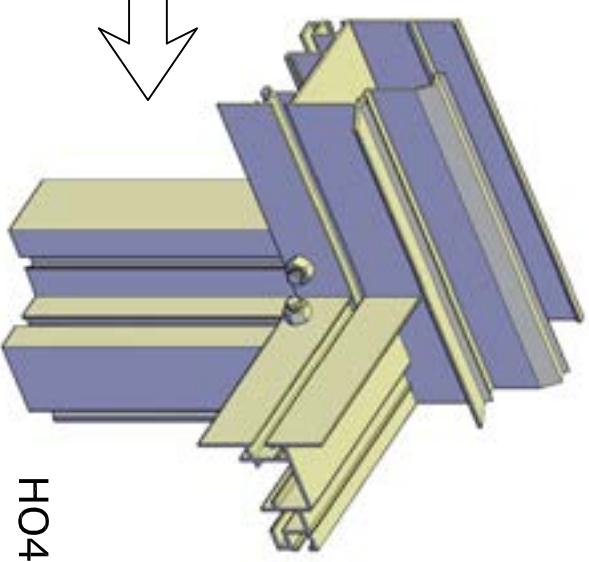
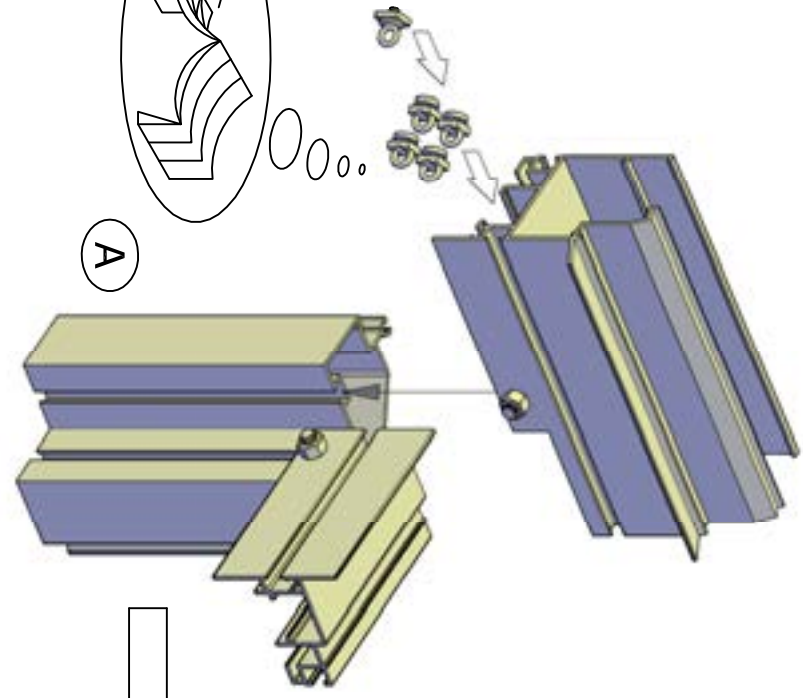


B

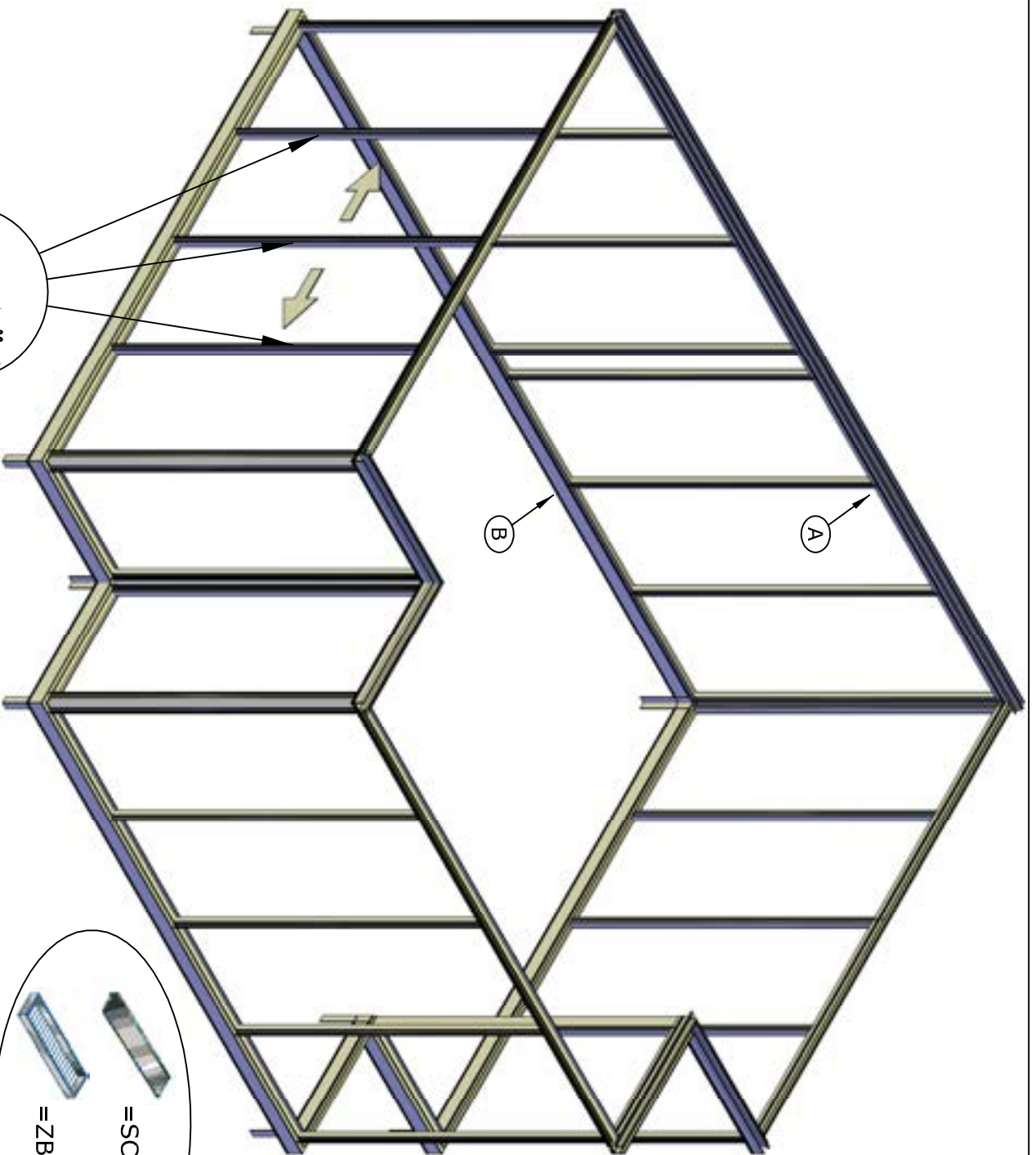
2 pc.



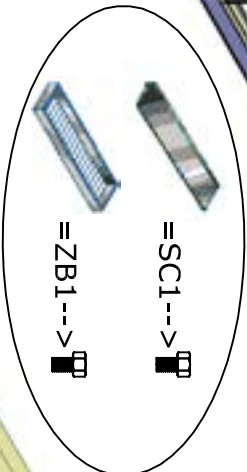
A



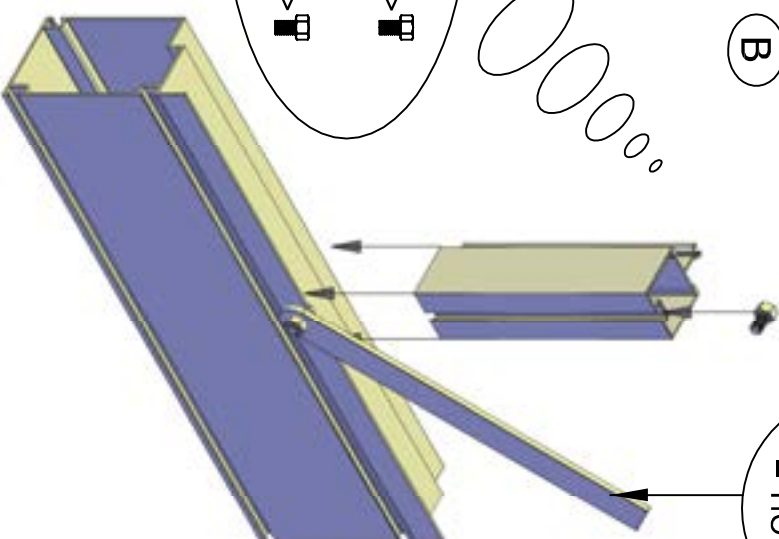
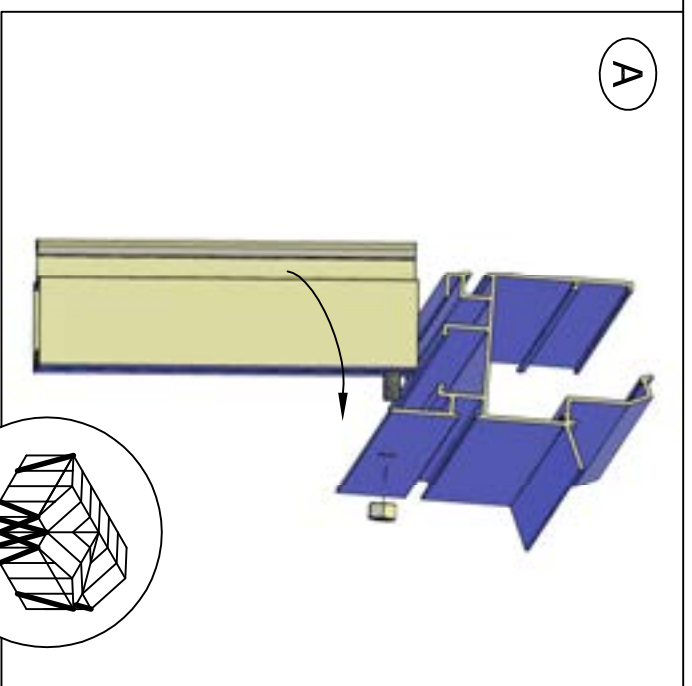
HO4



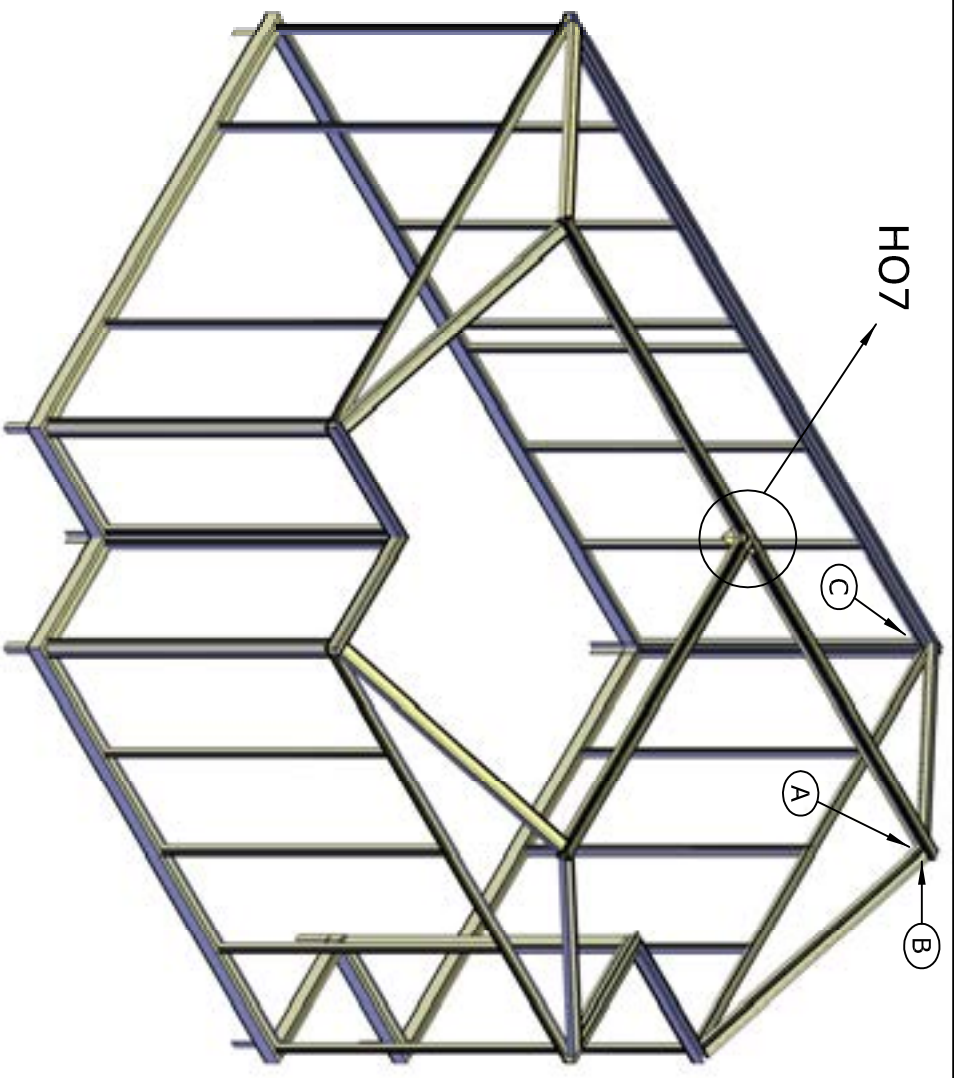
Item	L	
PRO1456	1.830 mm	16 pc.
M6x15		32 pc.



00000



HO5







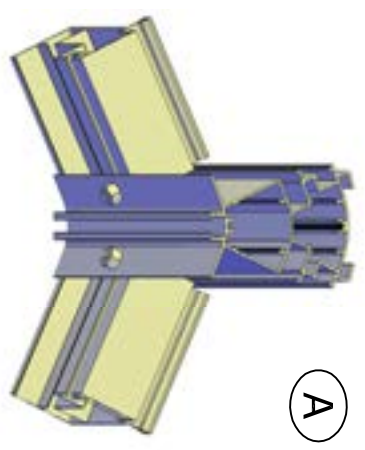
HO7

C

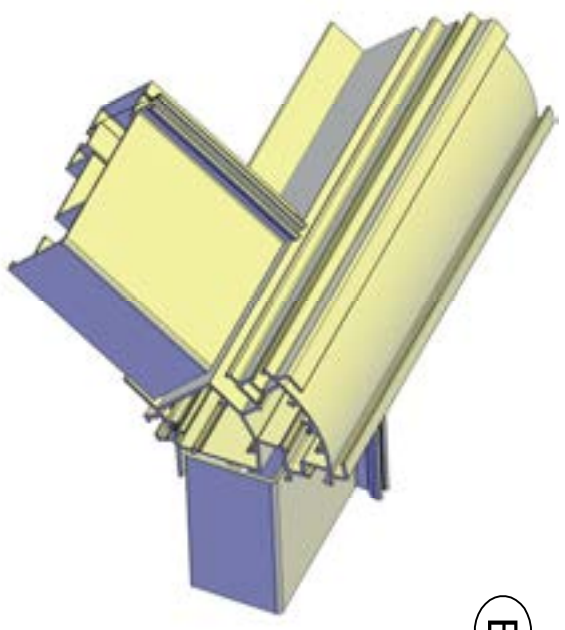
A

B

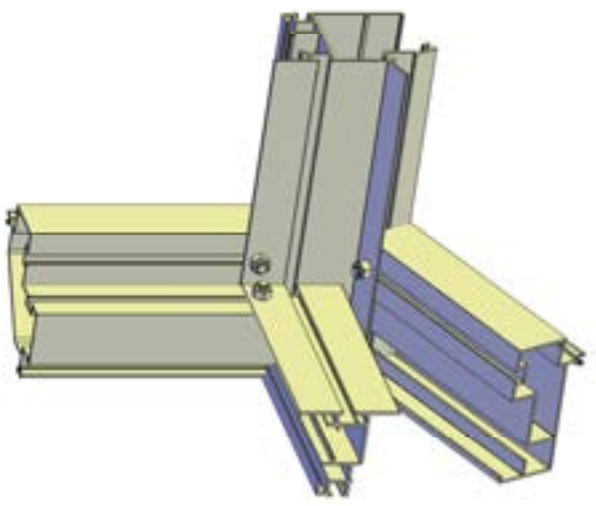
Item	pc.	L
 PRO06918	6pc.	1.630 mm
 PRO06760	3pc.	2.285mm
 M6X15	12 pc.	
	1 pc.	



A

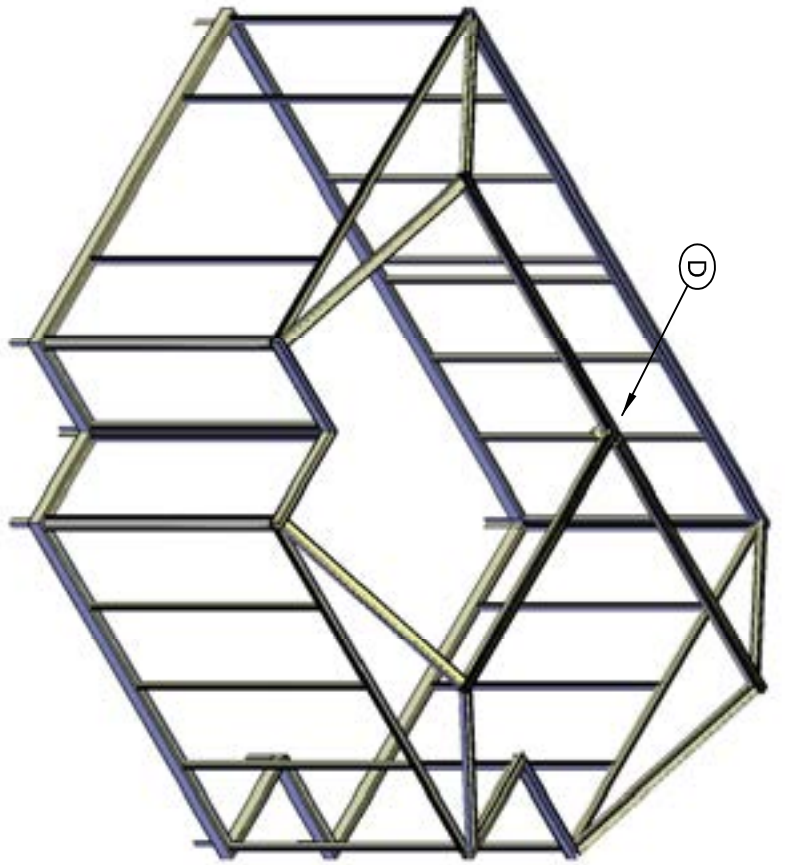
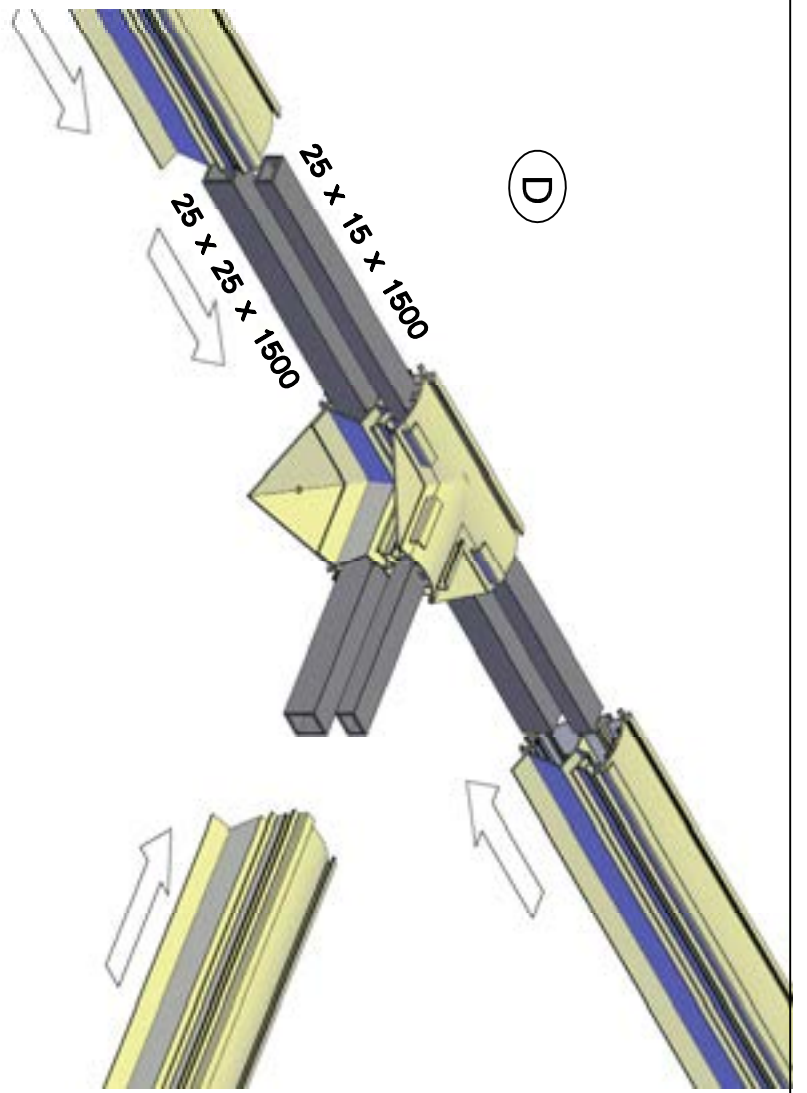
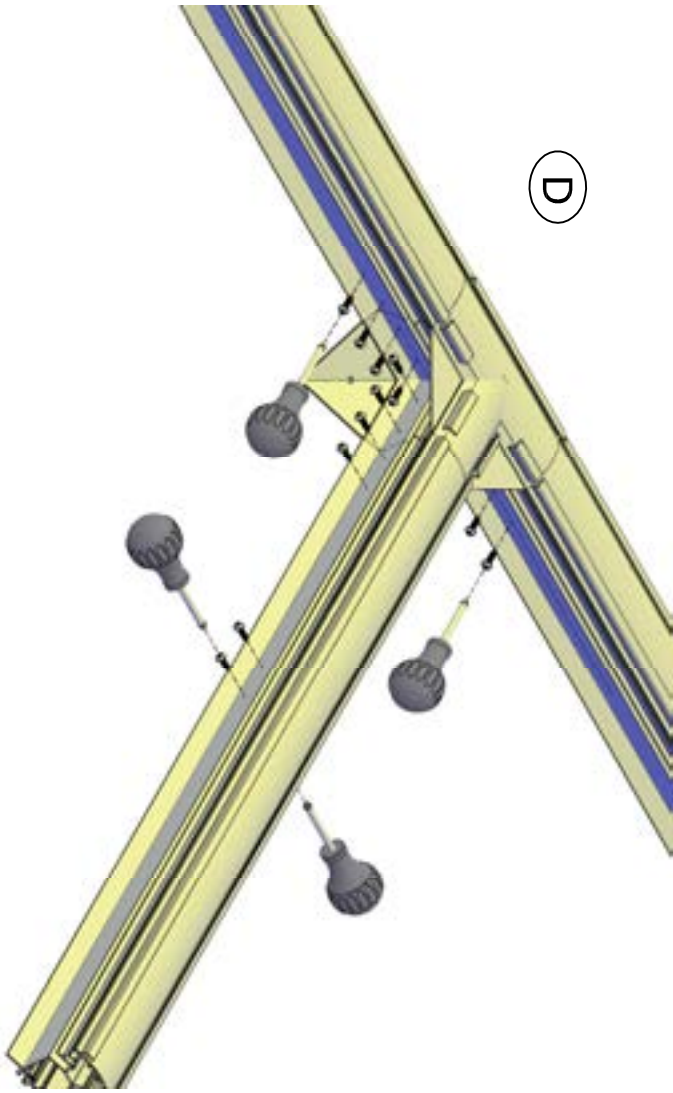


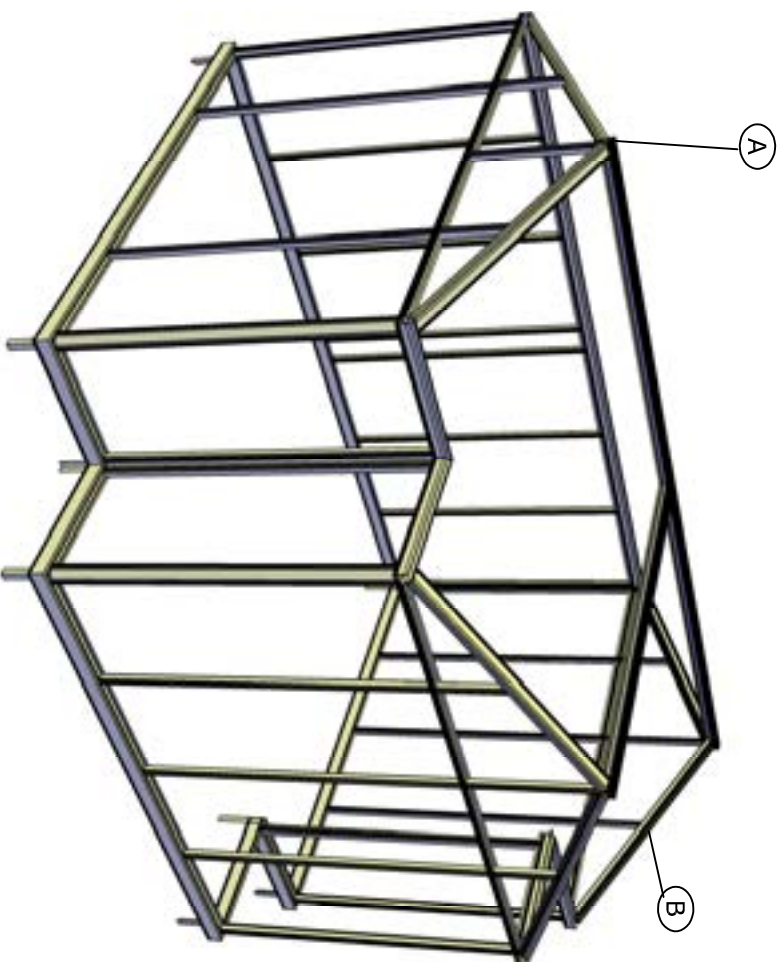
B



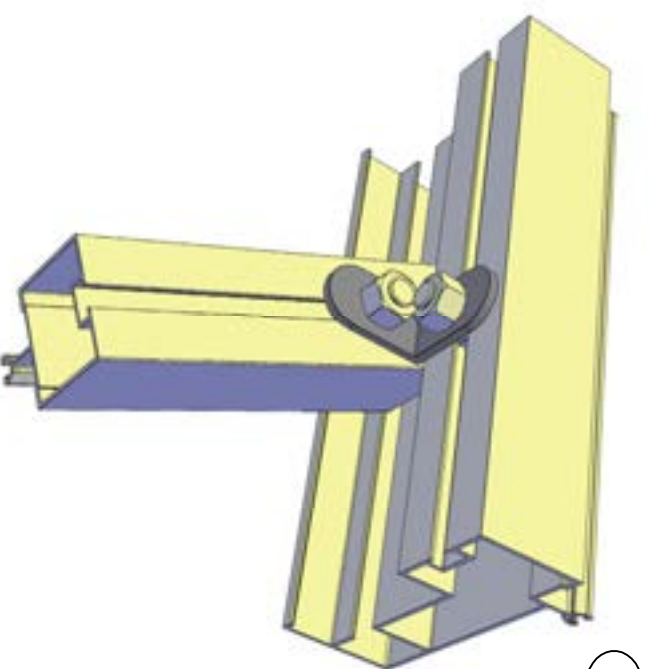
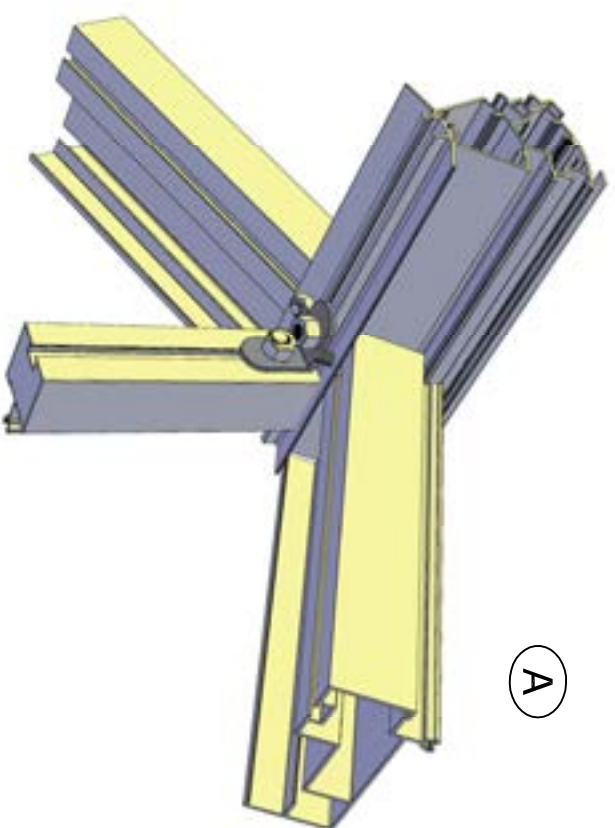
C

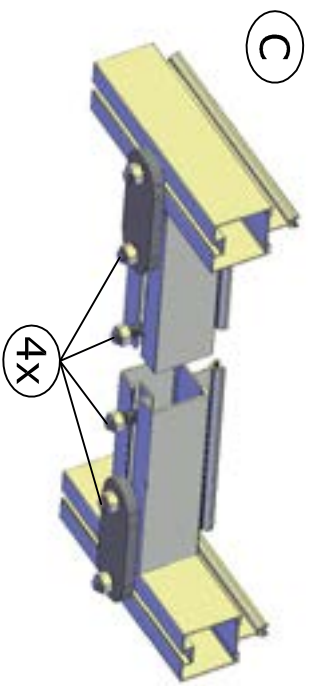
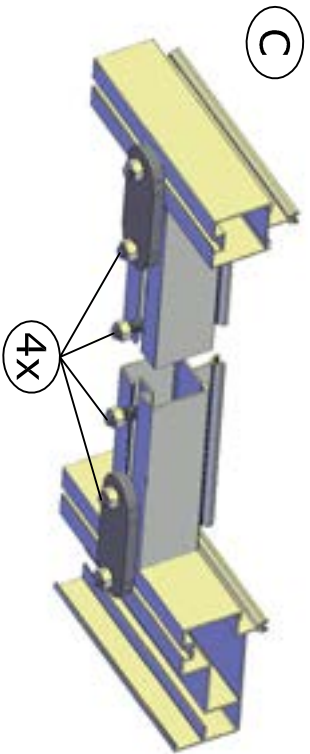
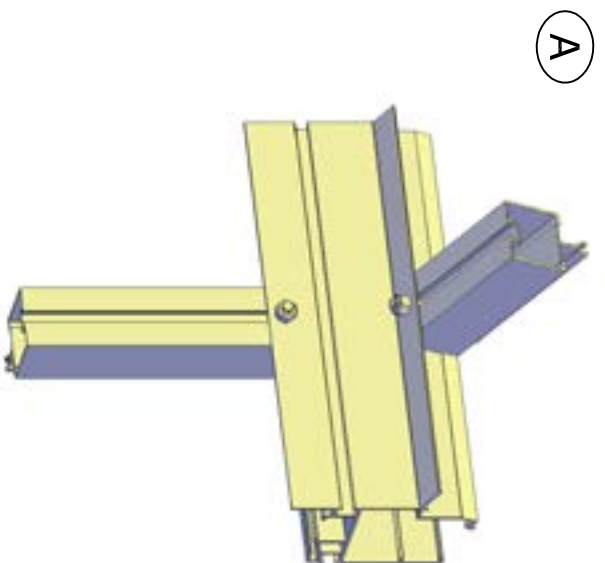
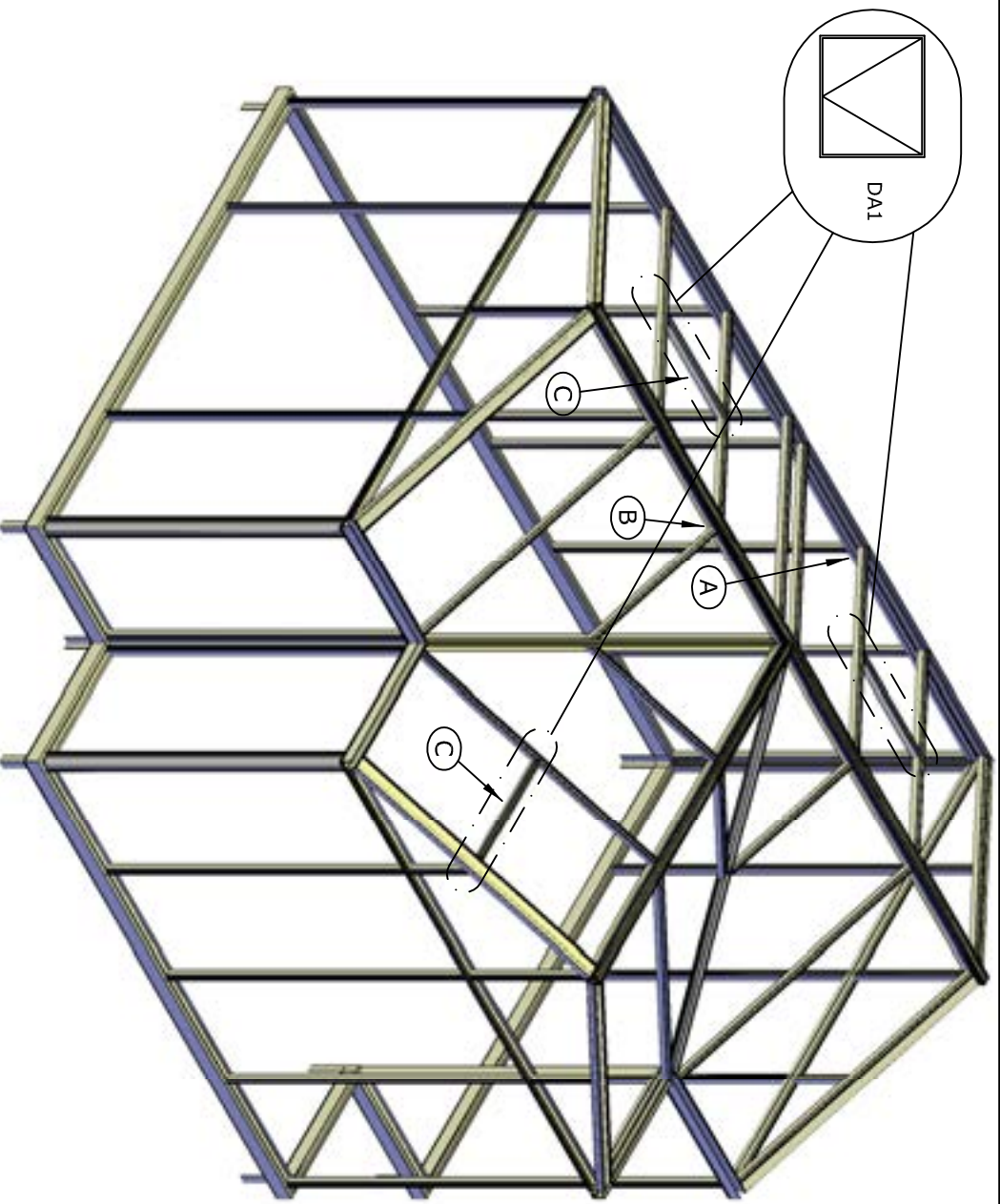
HO6





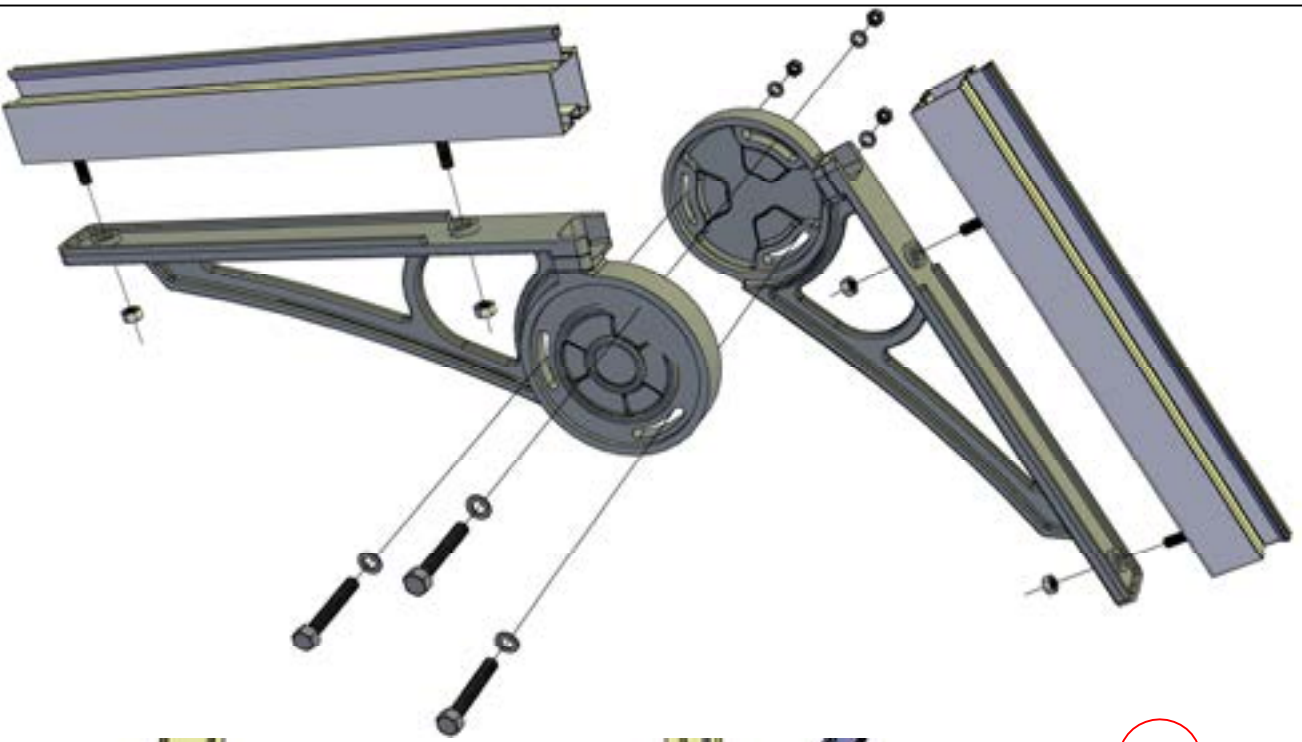
Item	pc.	L
PRO1456	3 pc.	702mm
PRO1456	3L-3R	396mm
M6x15		27 pc
LG		6 pc





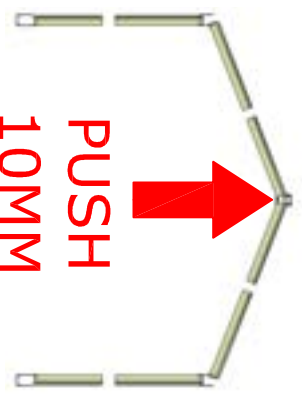
Item	L
PR01456	1.630mm 10 pc.
M6x15	20 pc.



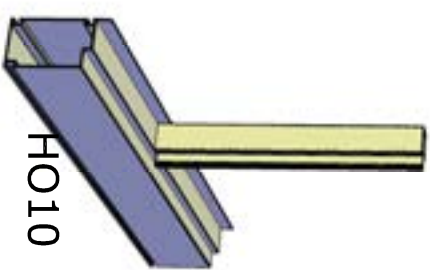
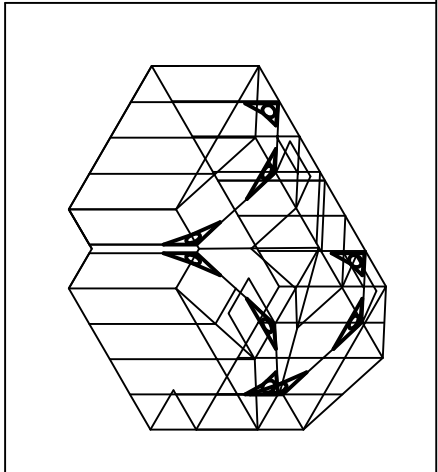
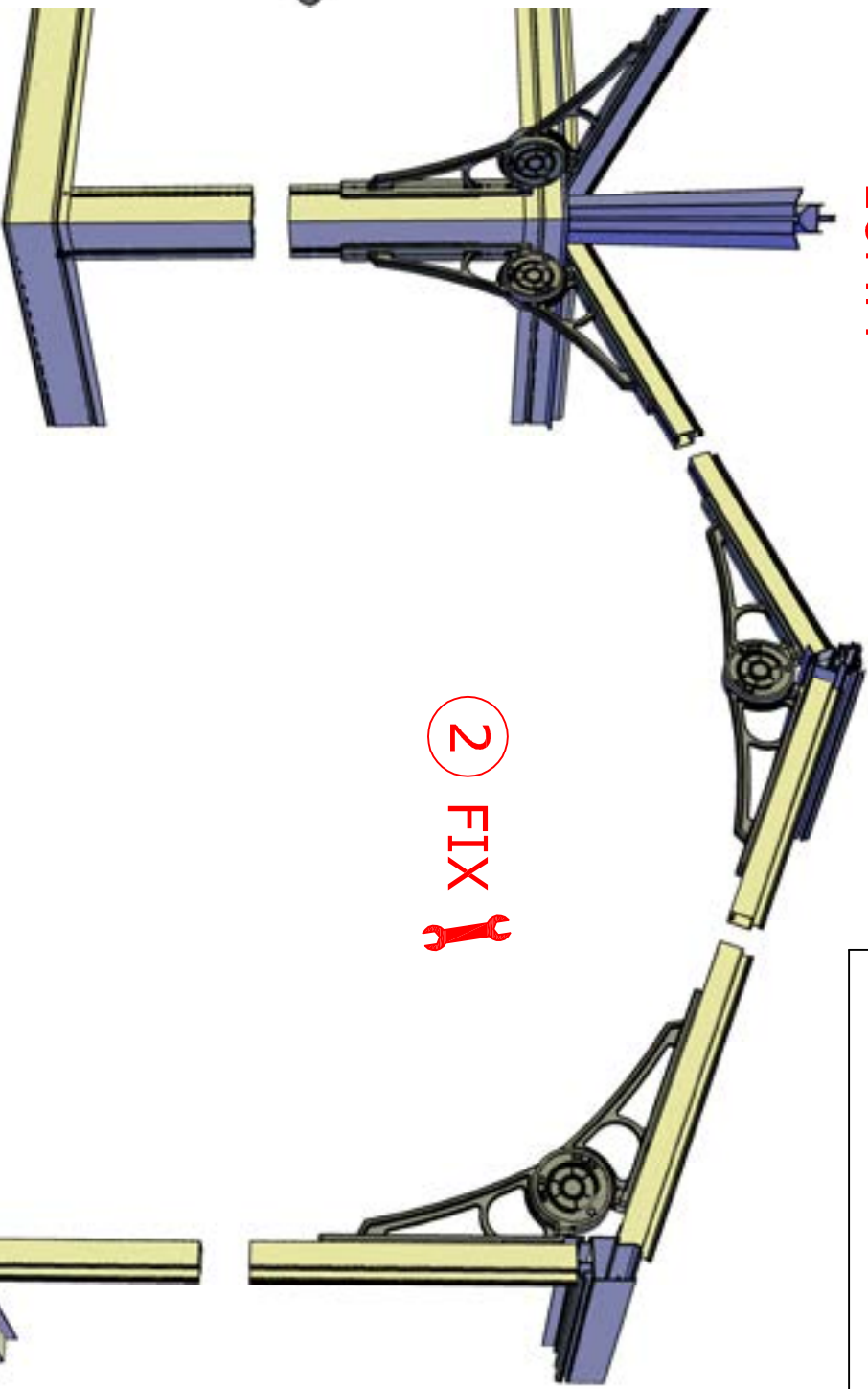


1

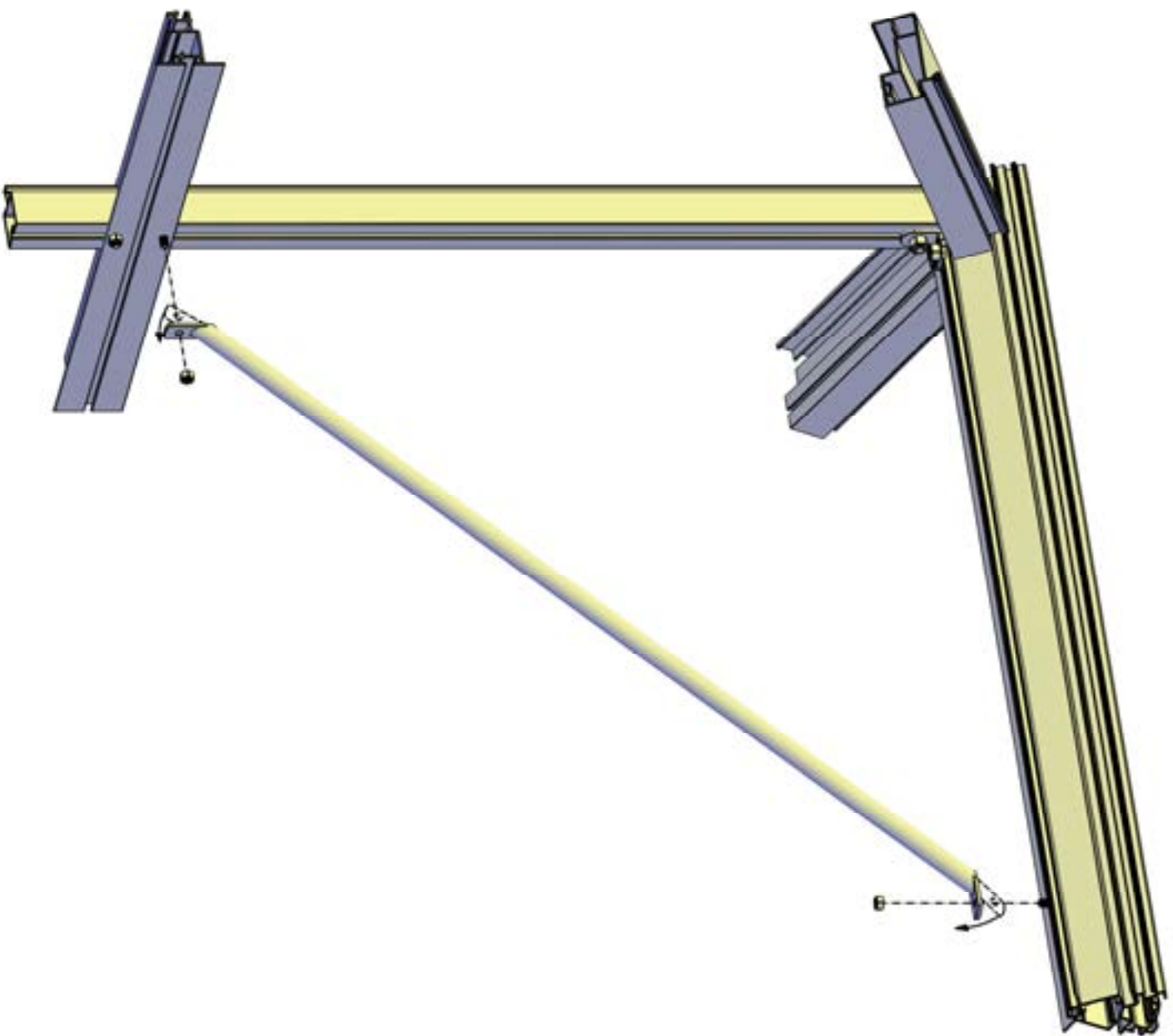
PUSH  
10MM




2  
FIX  

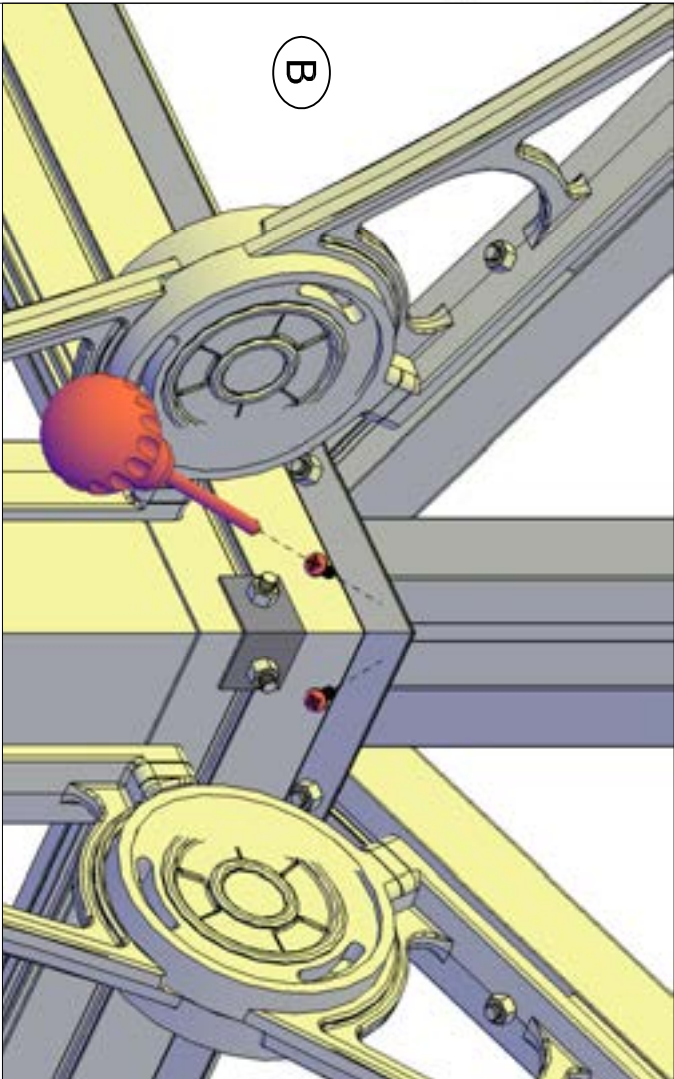
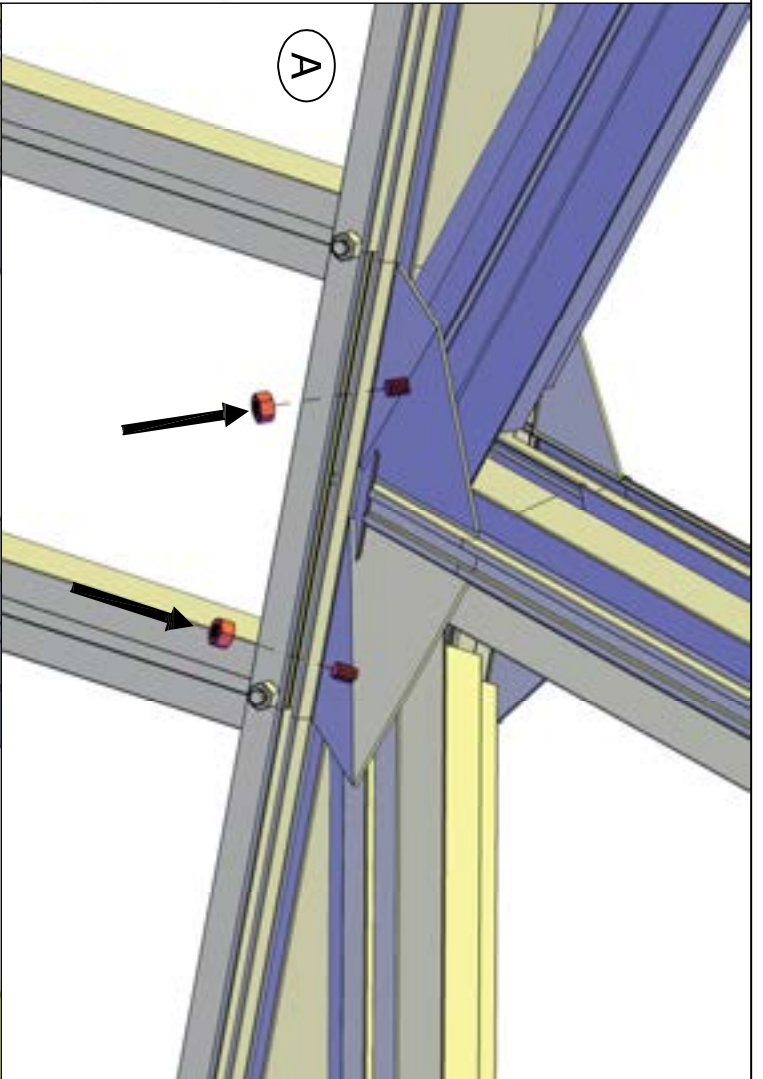
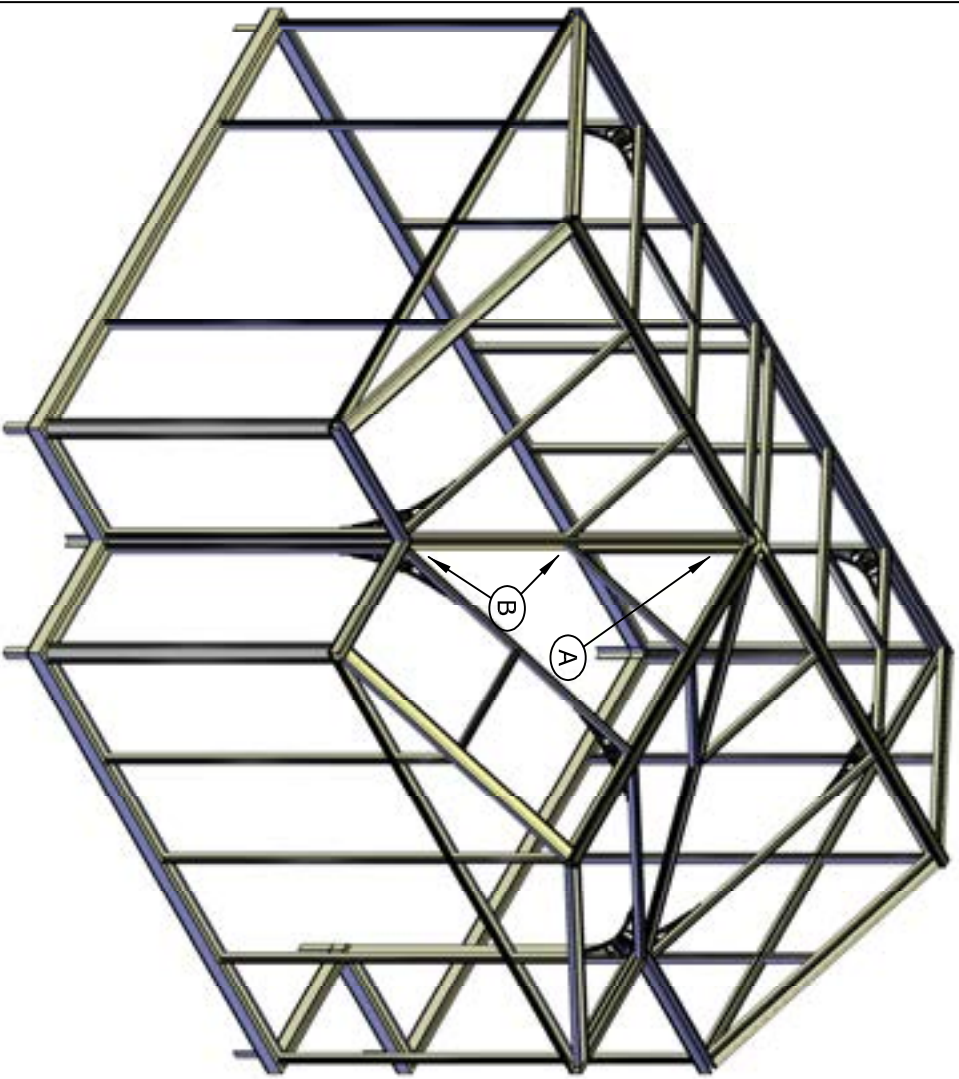



HO10



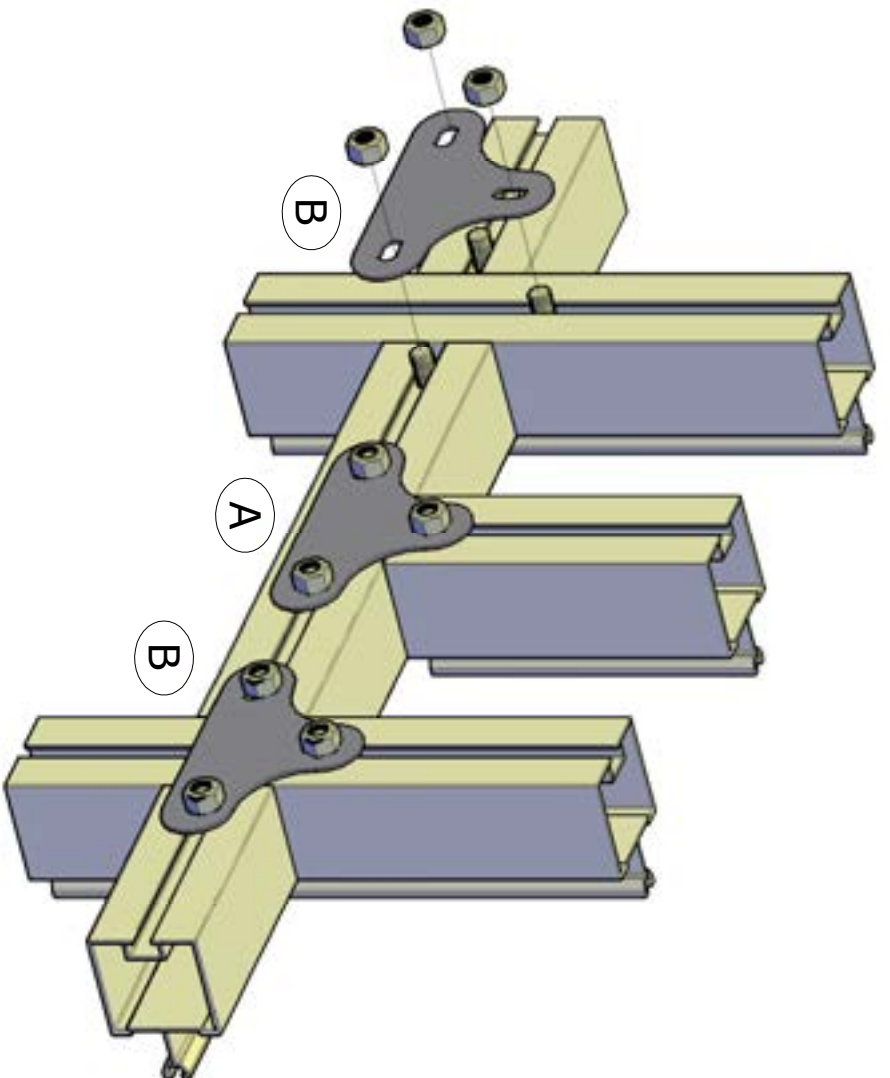
	Item	pc.	L
Ø 19mm		3pc.	1030 mm

HO11

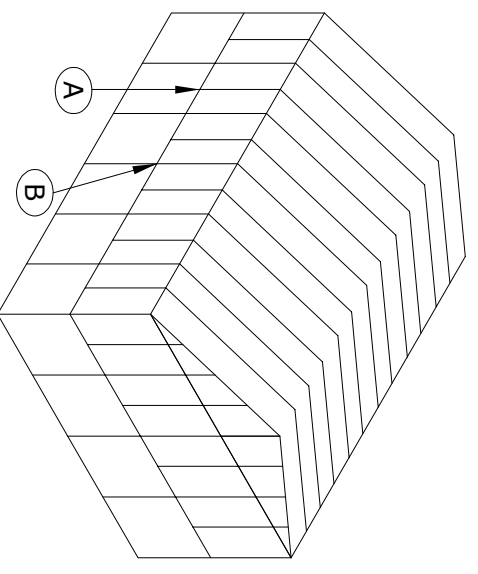
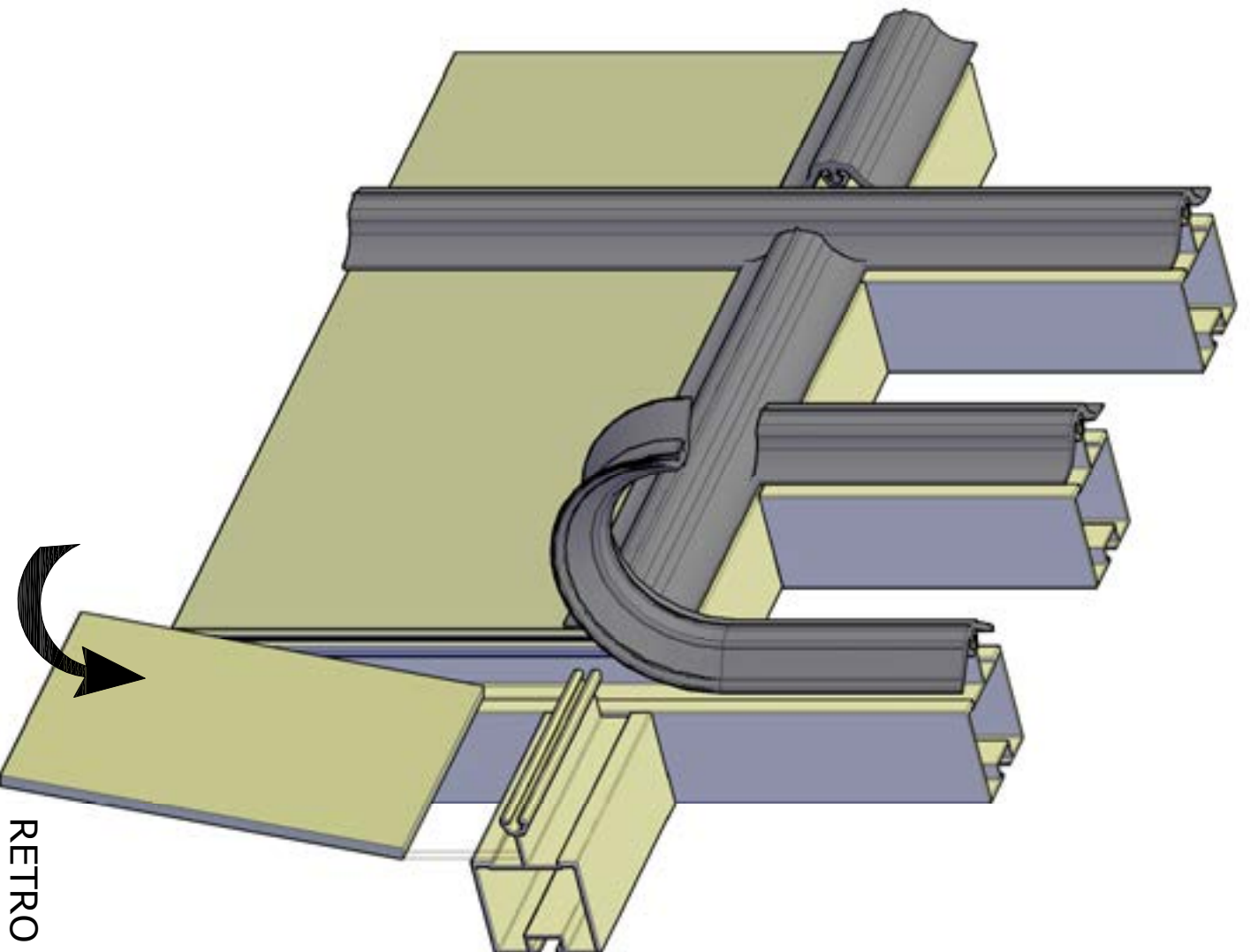


H012

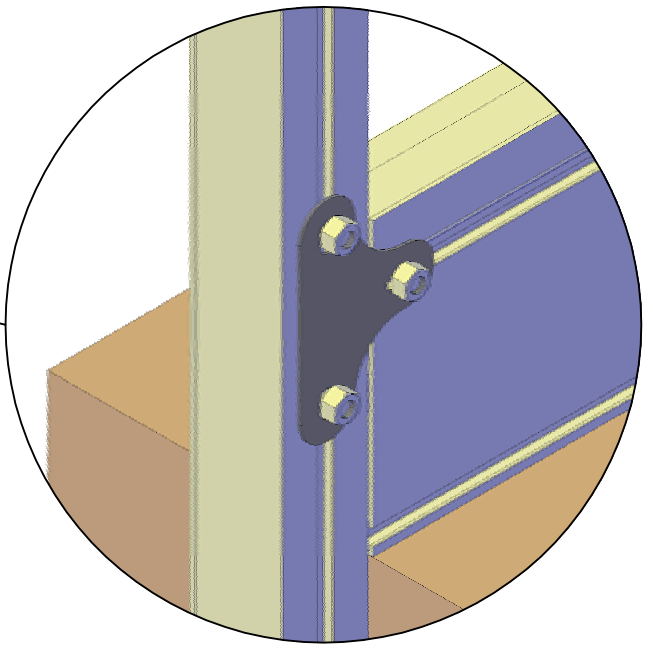
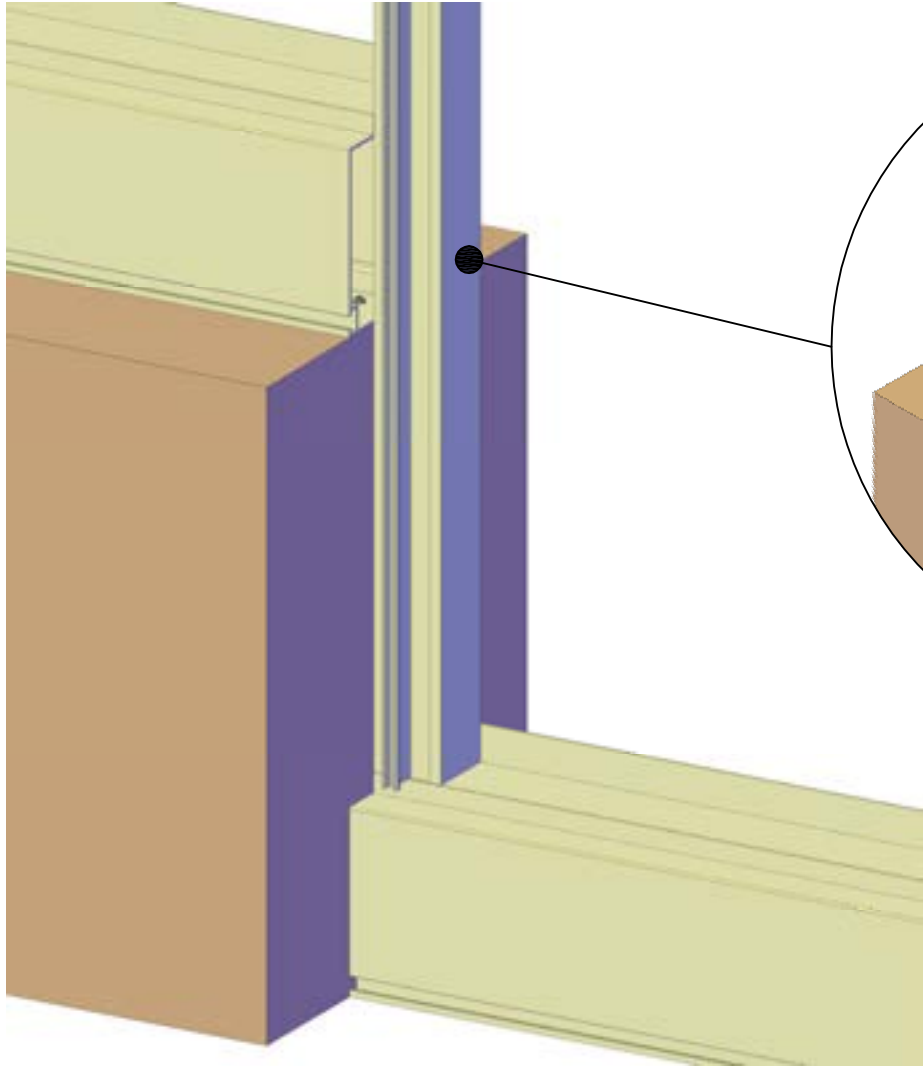
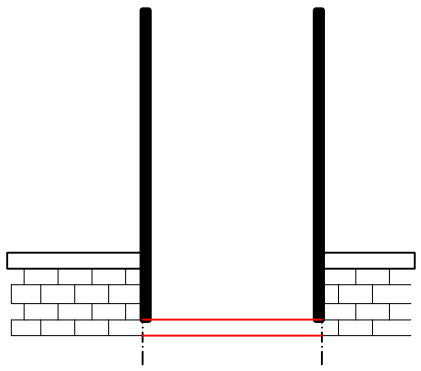
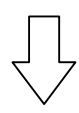
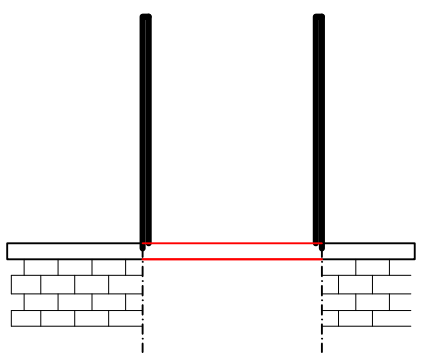
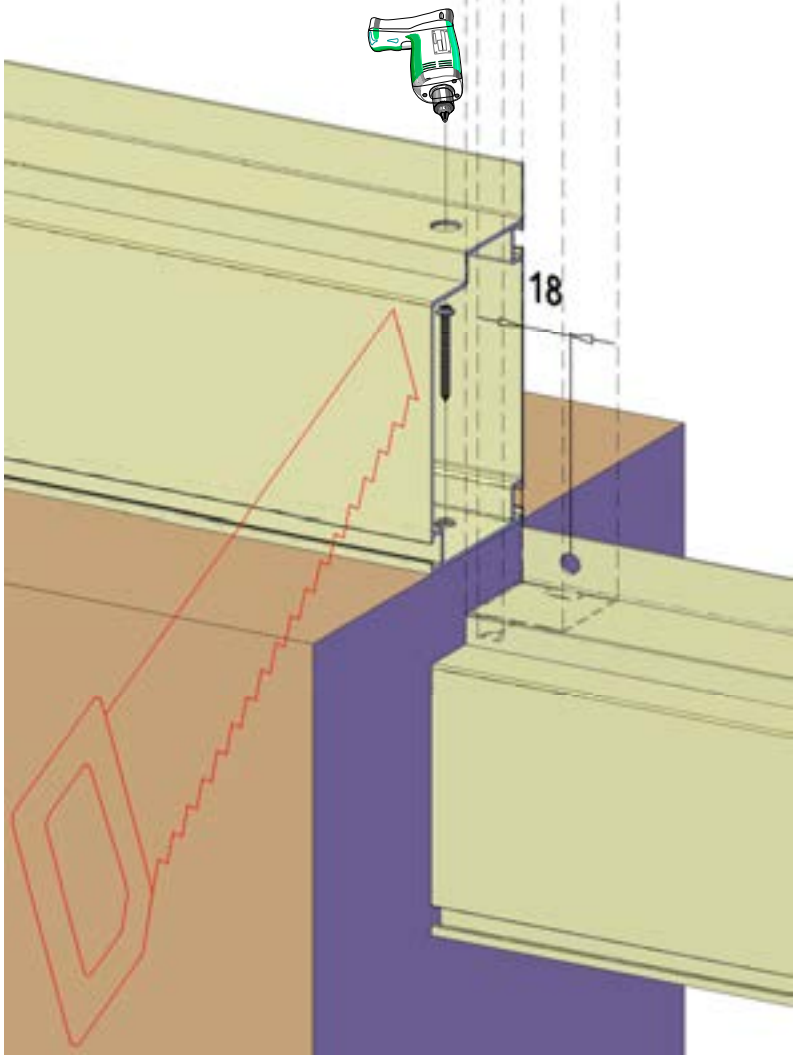
Binnen-Innen-Inside-Interieure-Insida






Buiten-Aussen-Outside-Exterieure-Utsida

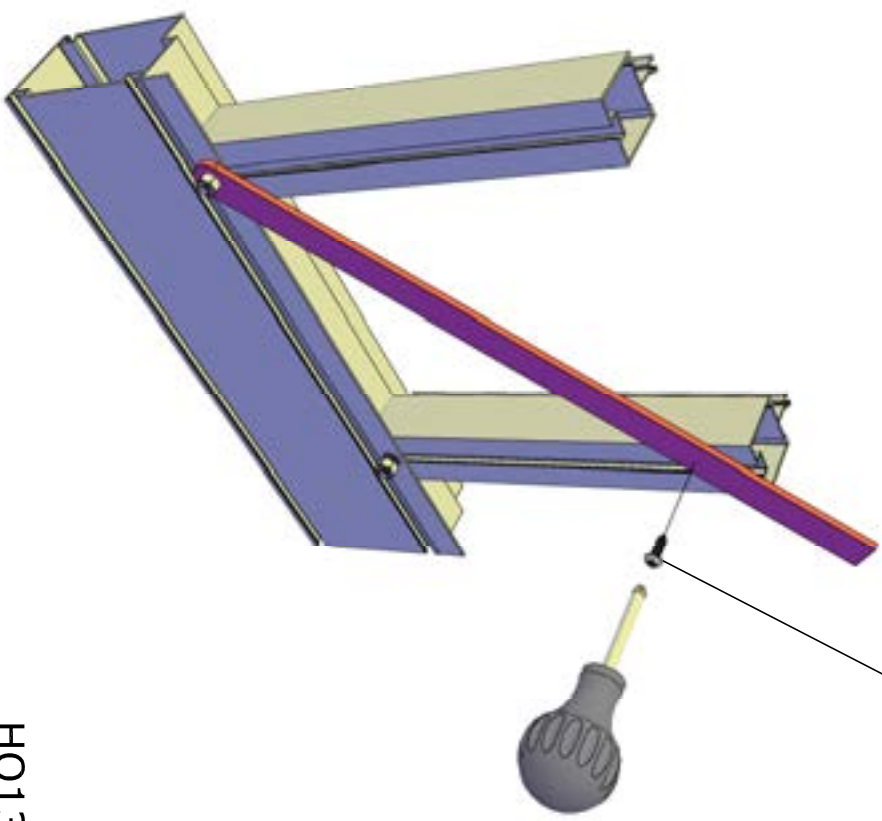
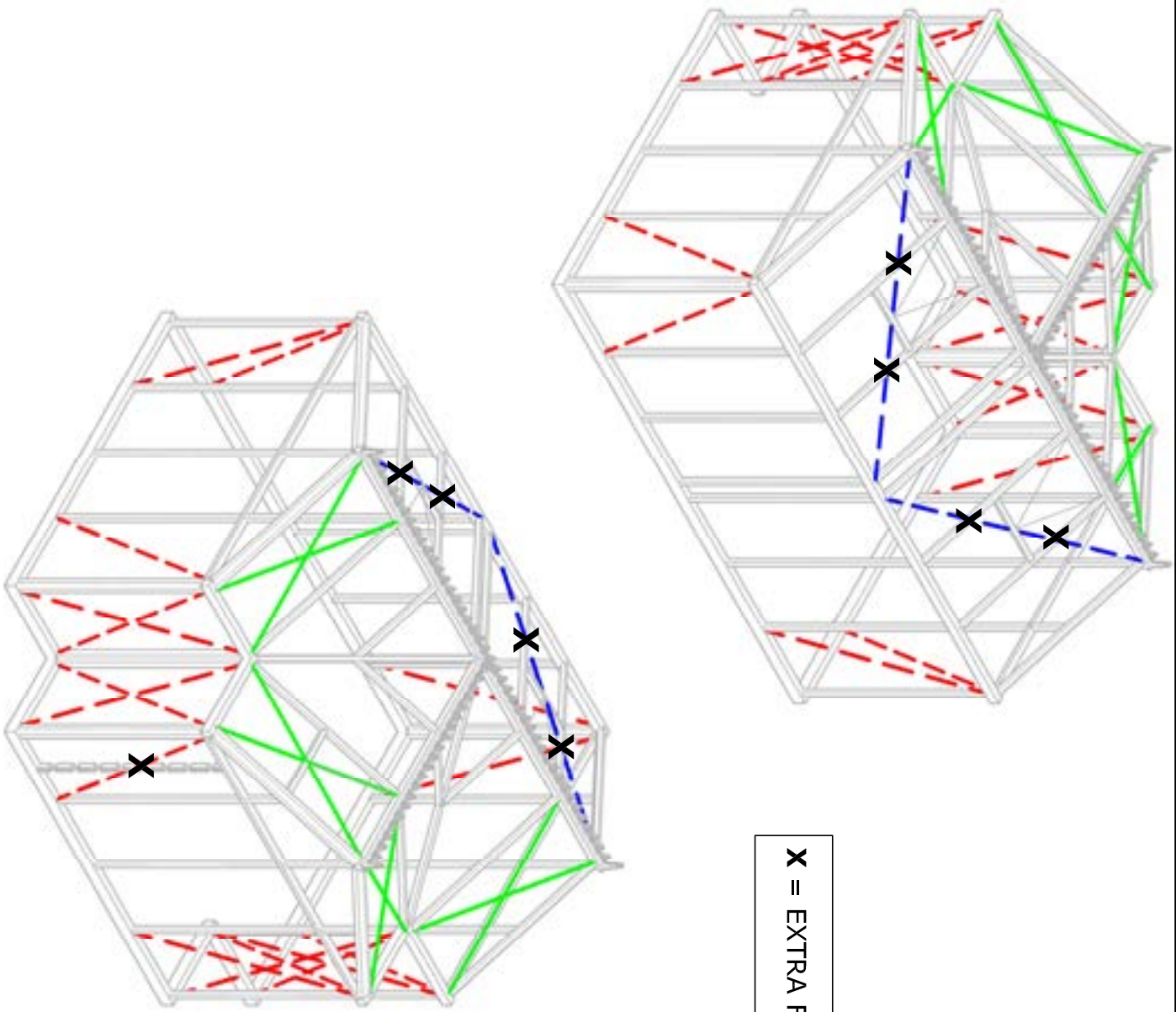


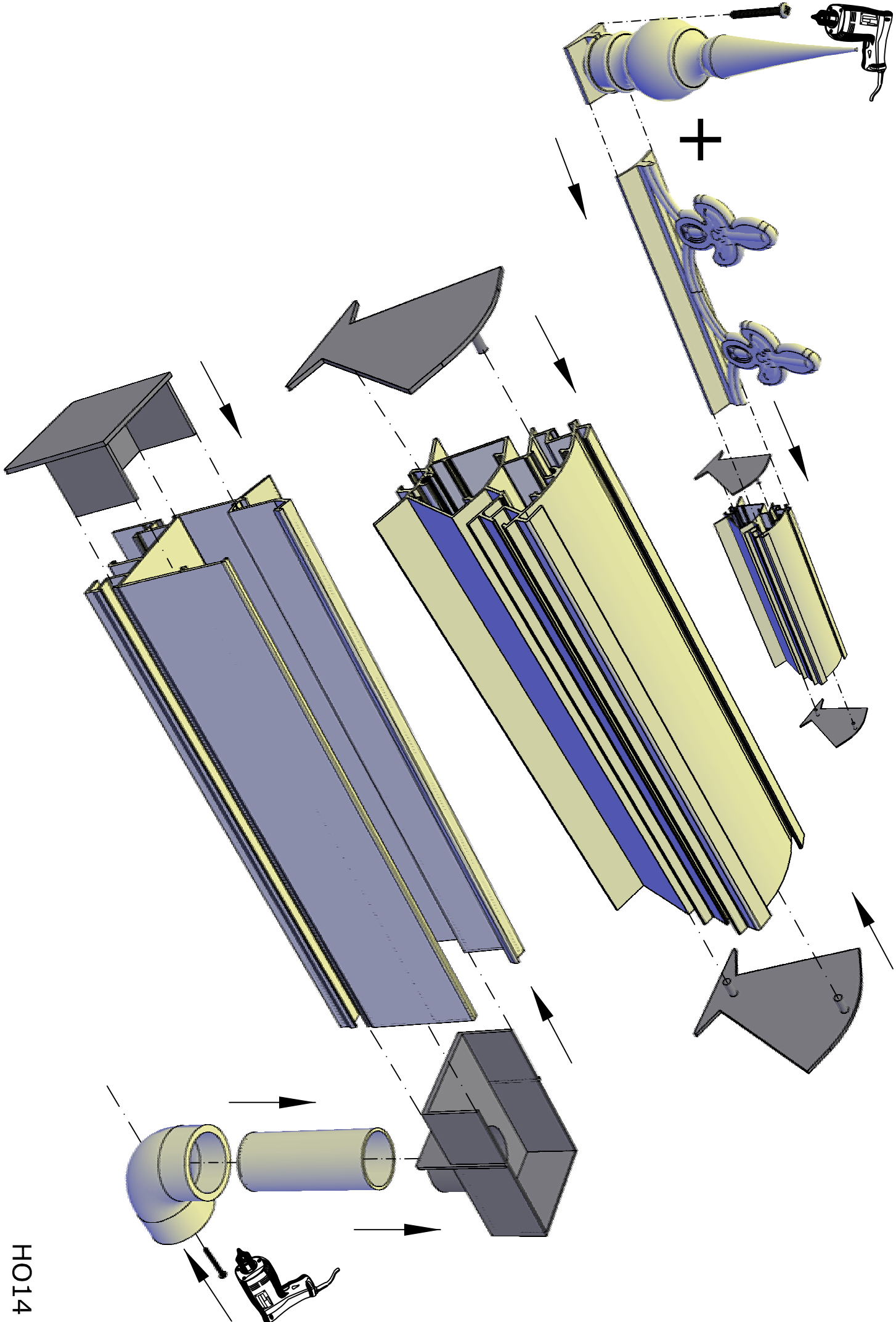
RETRO



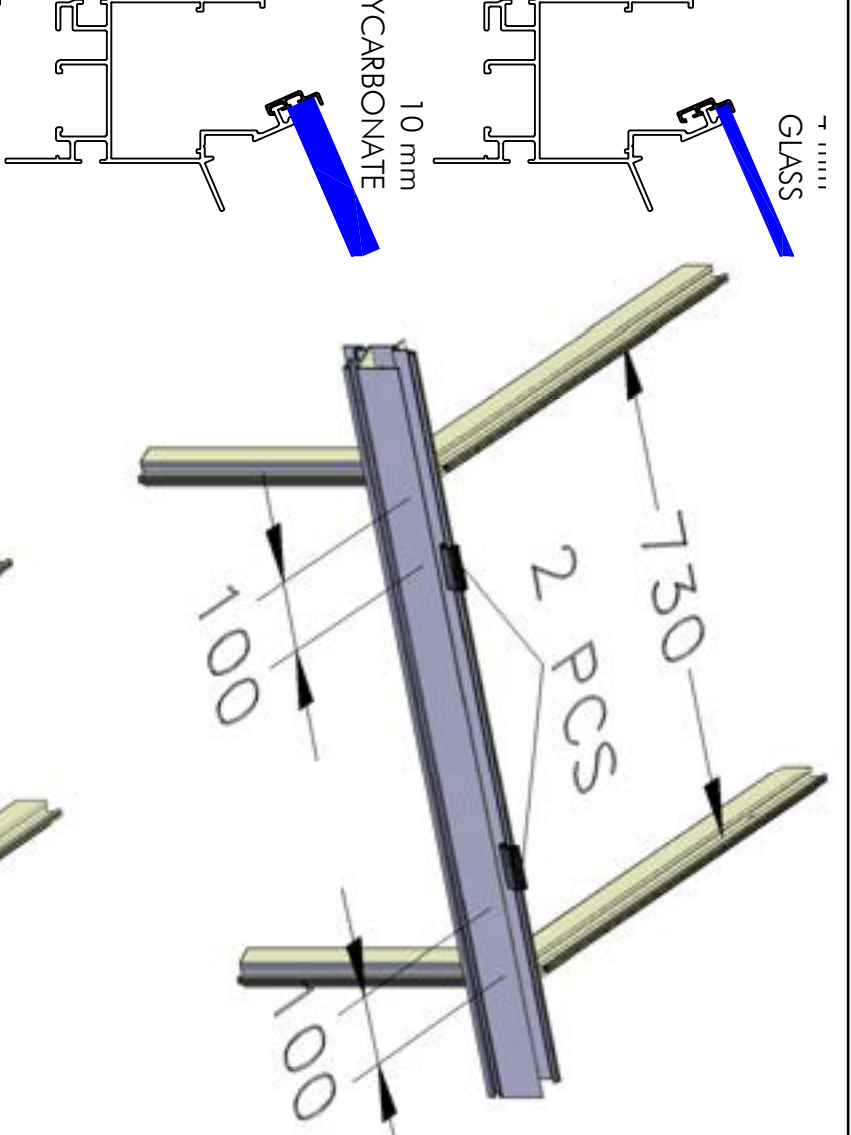
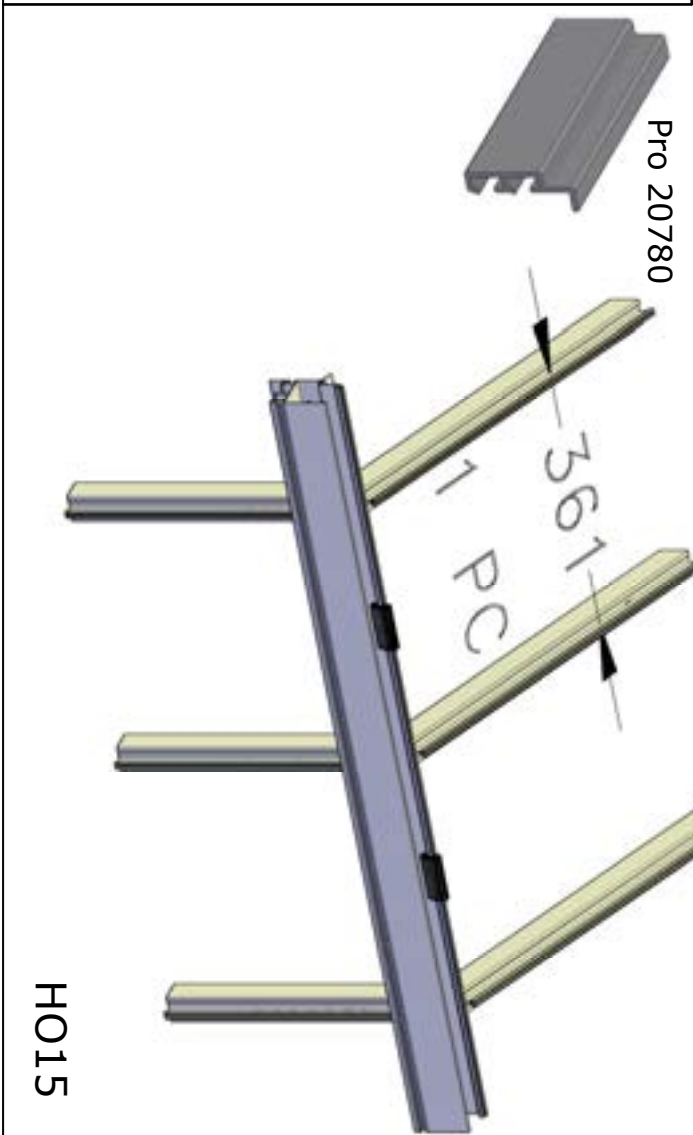
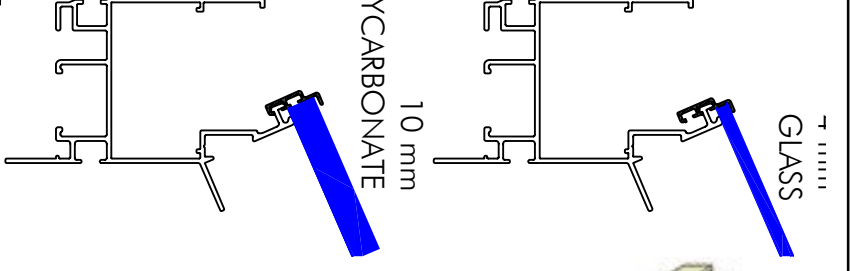
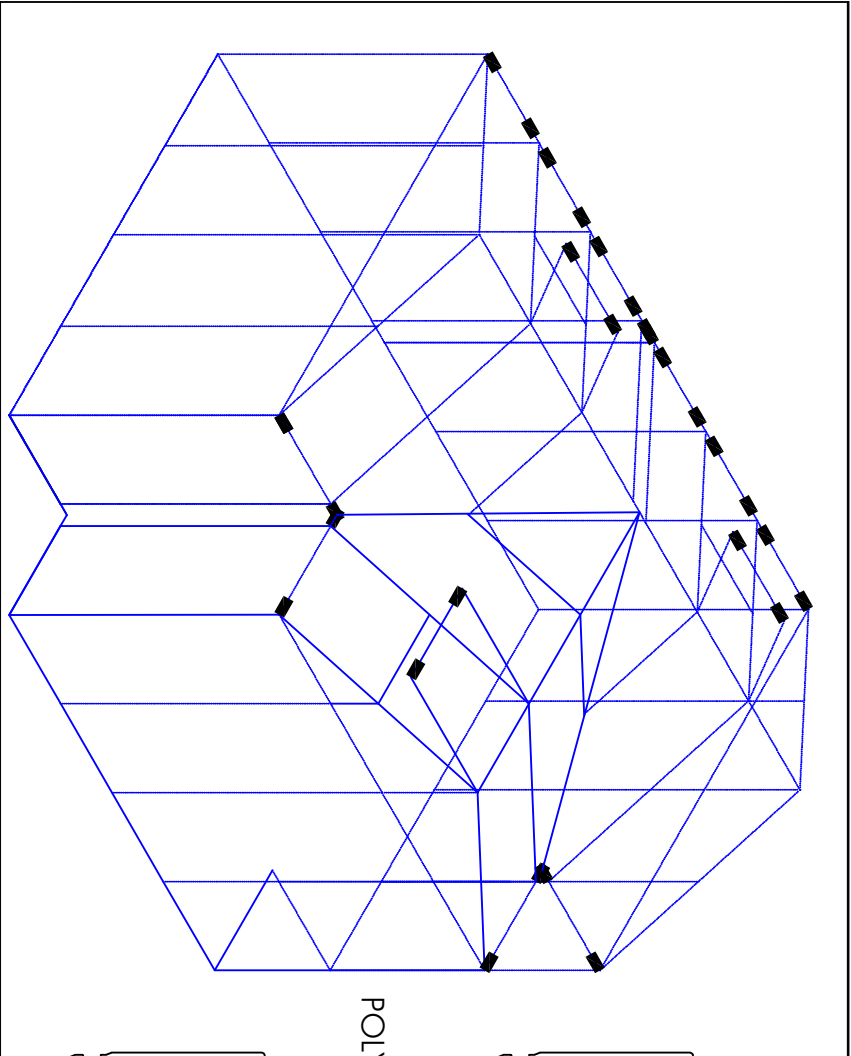
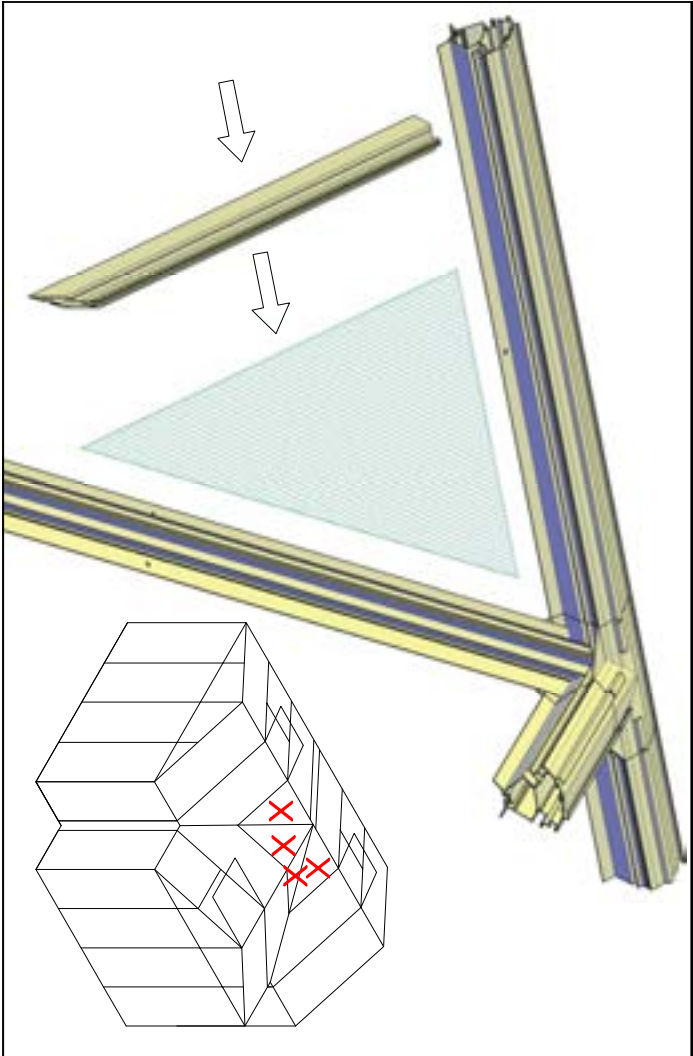
Item	pc.	L
L1  TRE	16pc.	1.975 mm
L2  TRE	2pc.	2.757 mm
L3  TRE	8pc.	1.795 mm

**X** = EXTRA FIXING / EXTRA BEFESTIGUNG / ATTACH EXTRA 



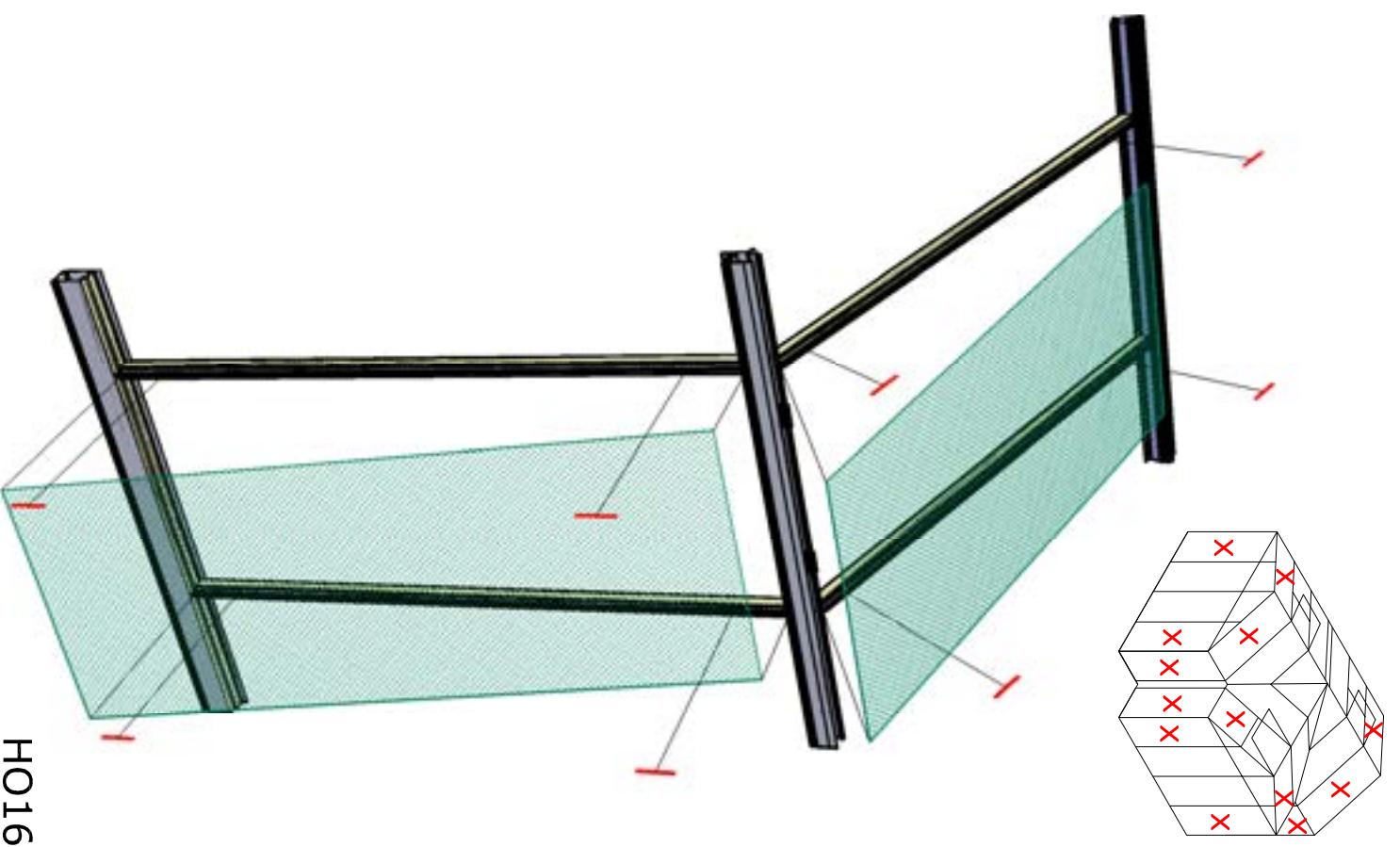
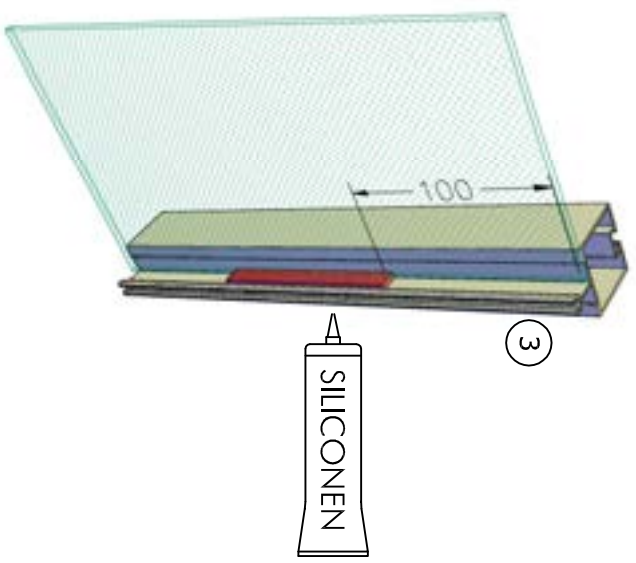
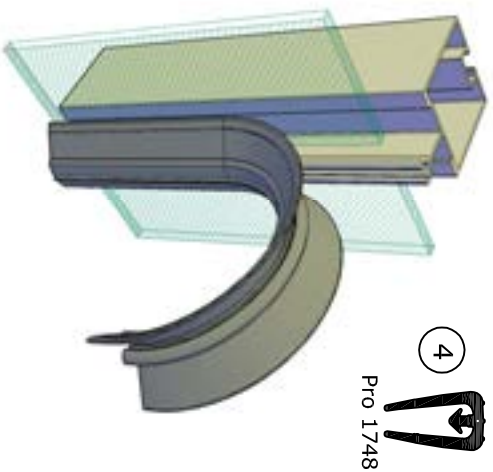
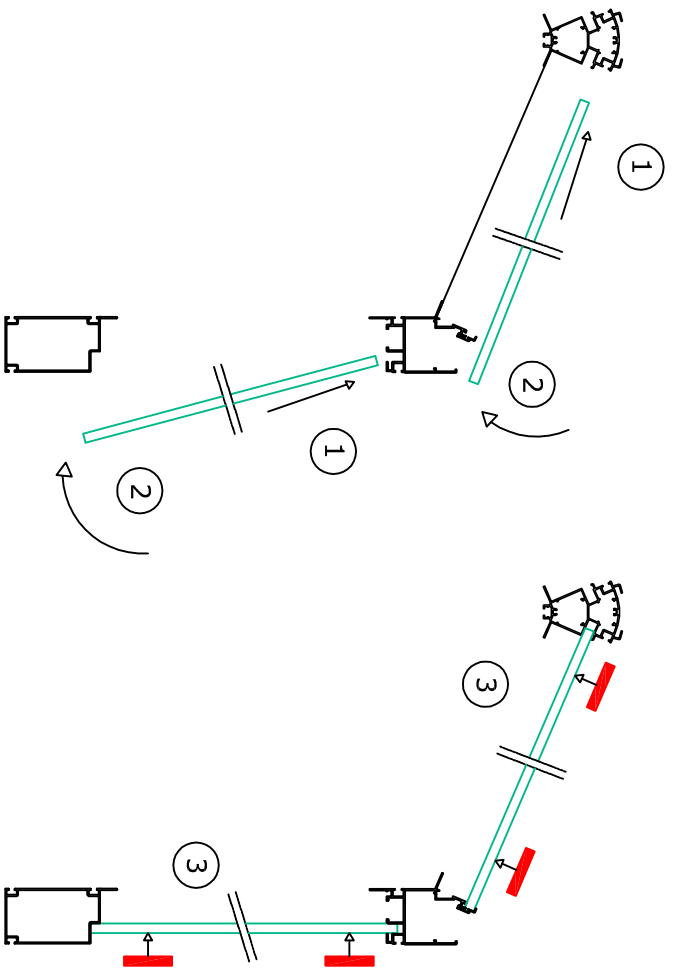


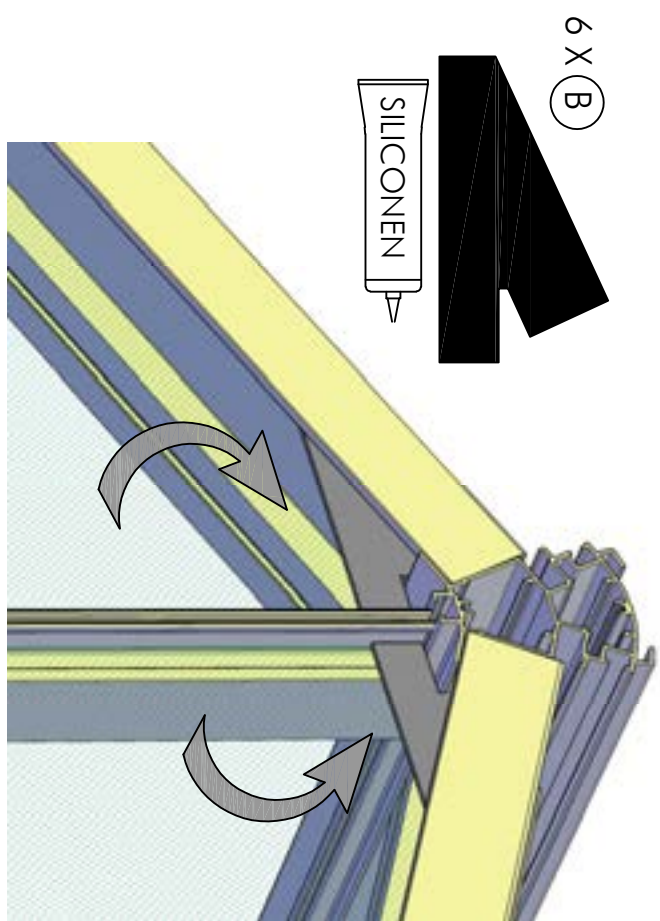
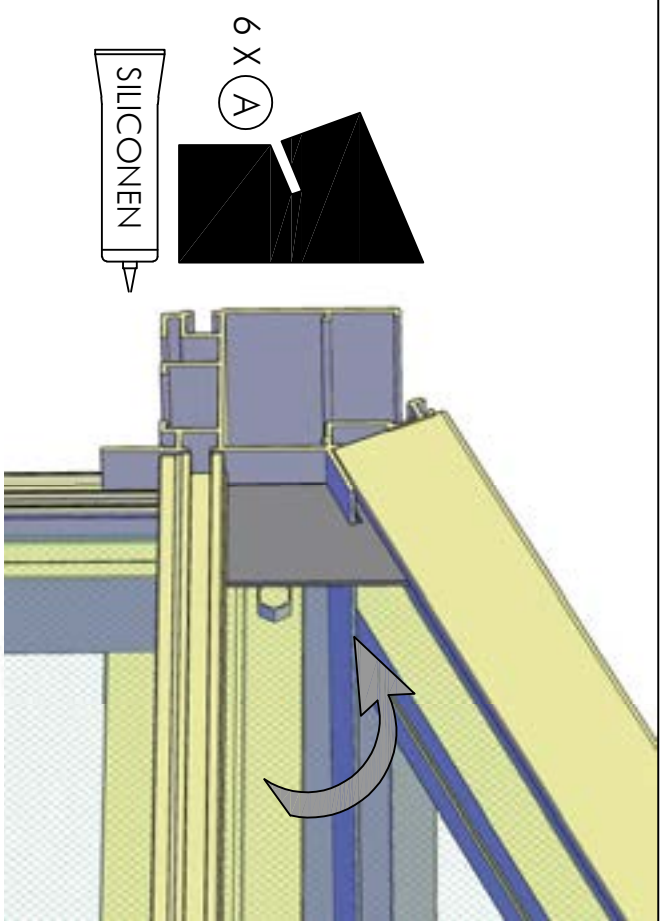
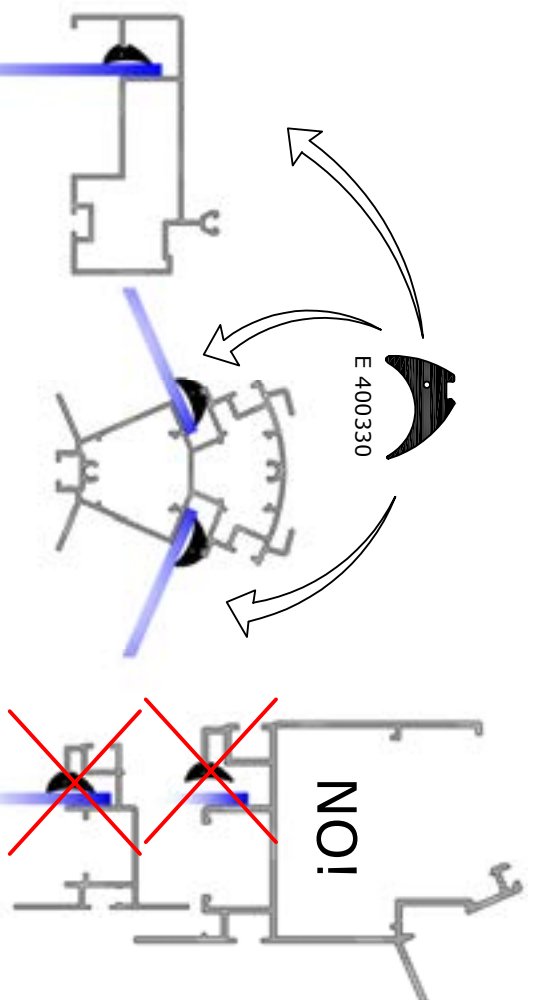
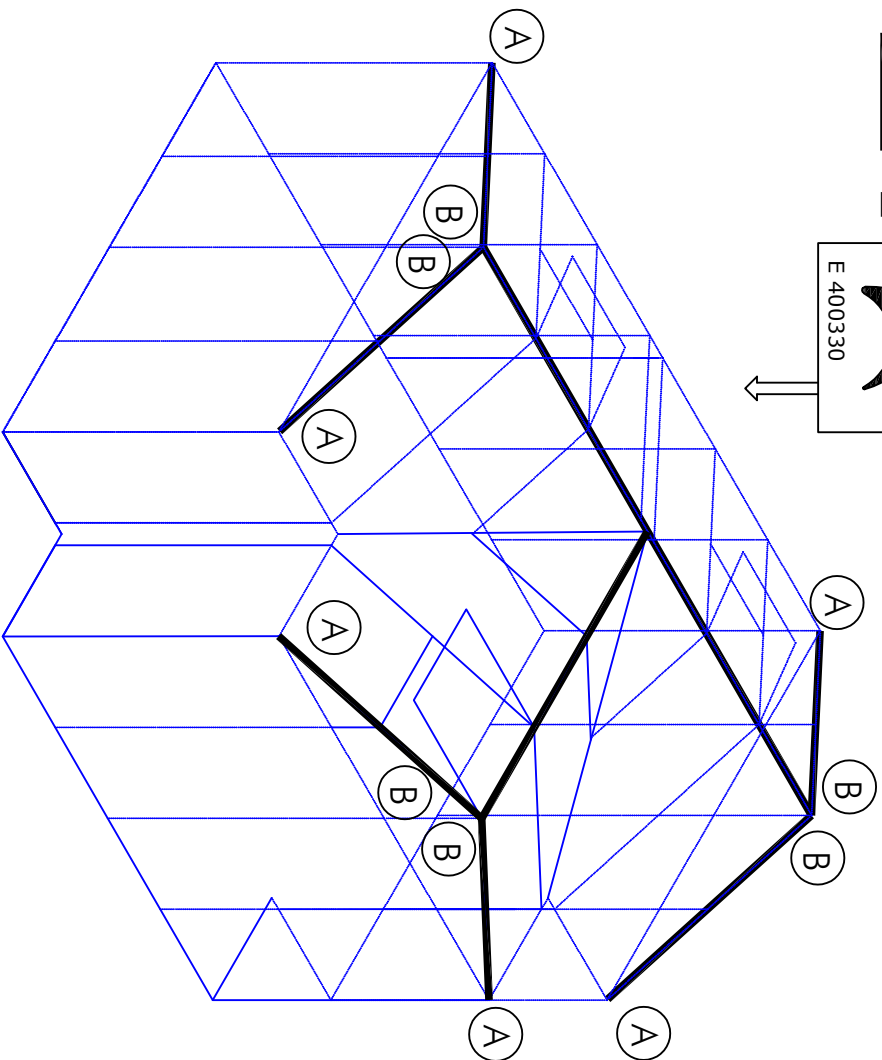
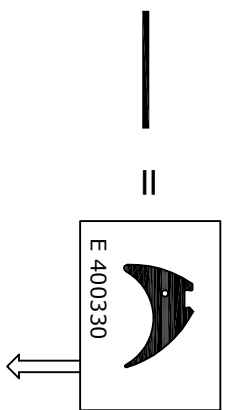
HO14



H015







## **ACCESSORIES**

This section contains many of the optional accessories.

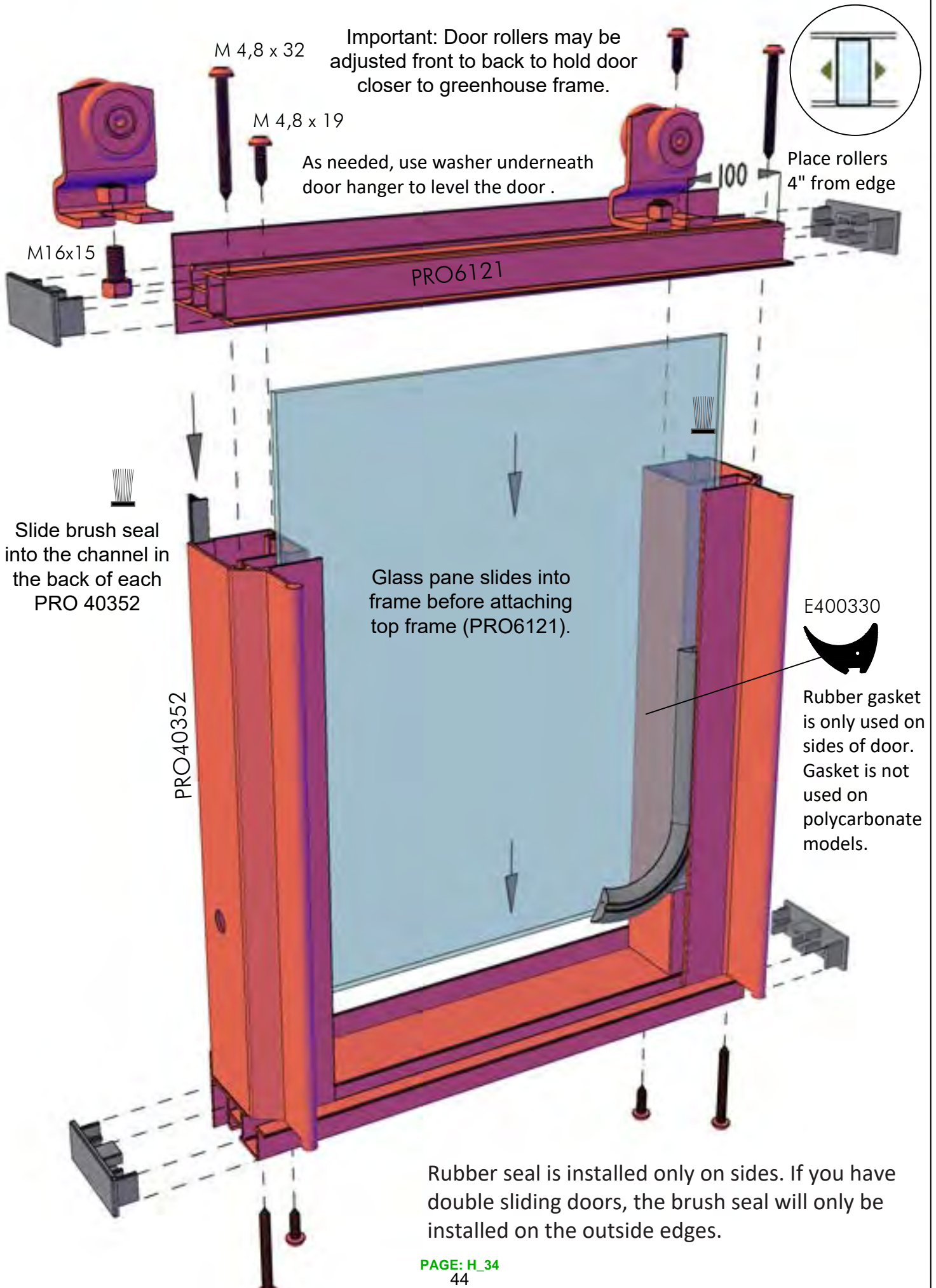
You will have some, but likely not all, items seen in this section.

**IMPORTANT:** Find Janssens Accessory installation video on our site here:

<https://www.exaco.com/greenhouse-victorian.php>

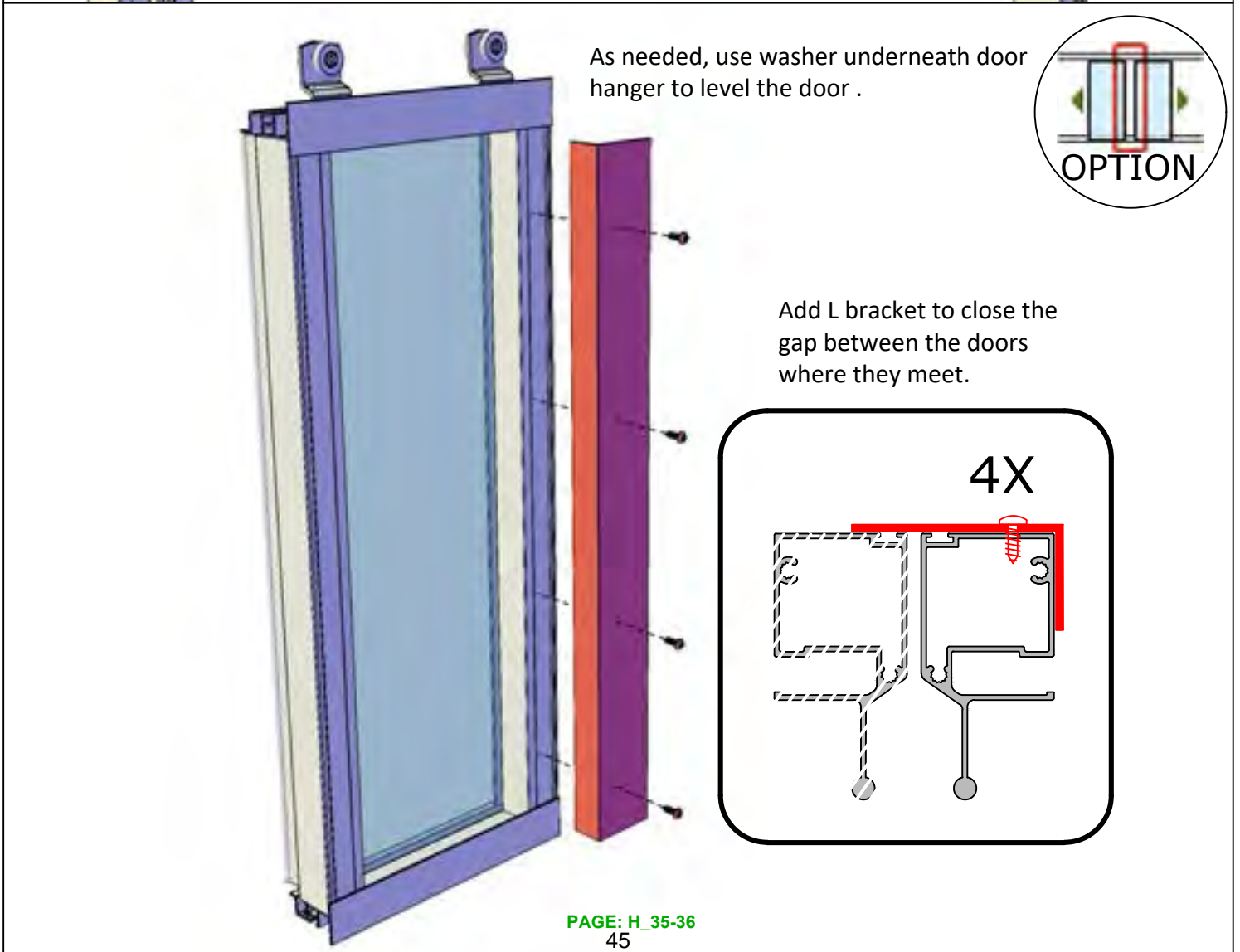
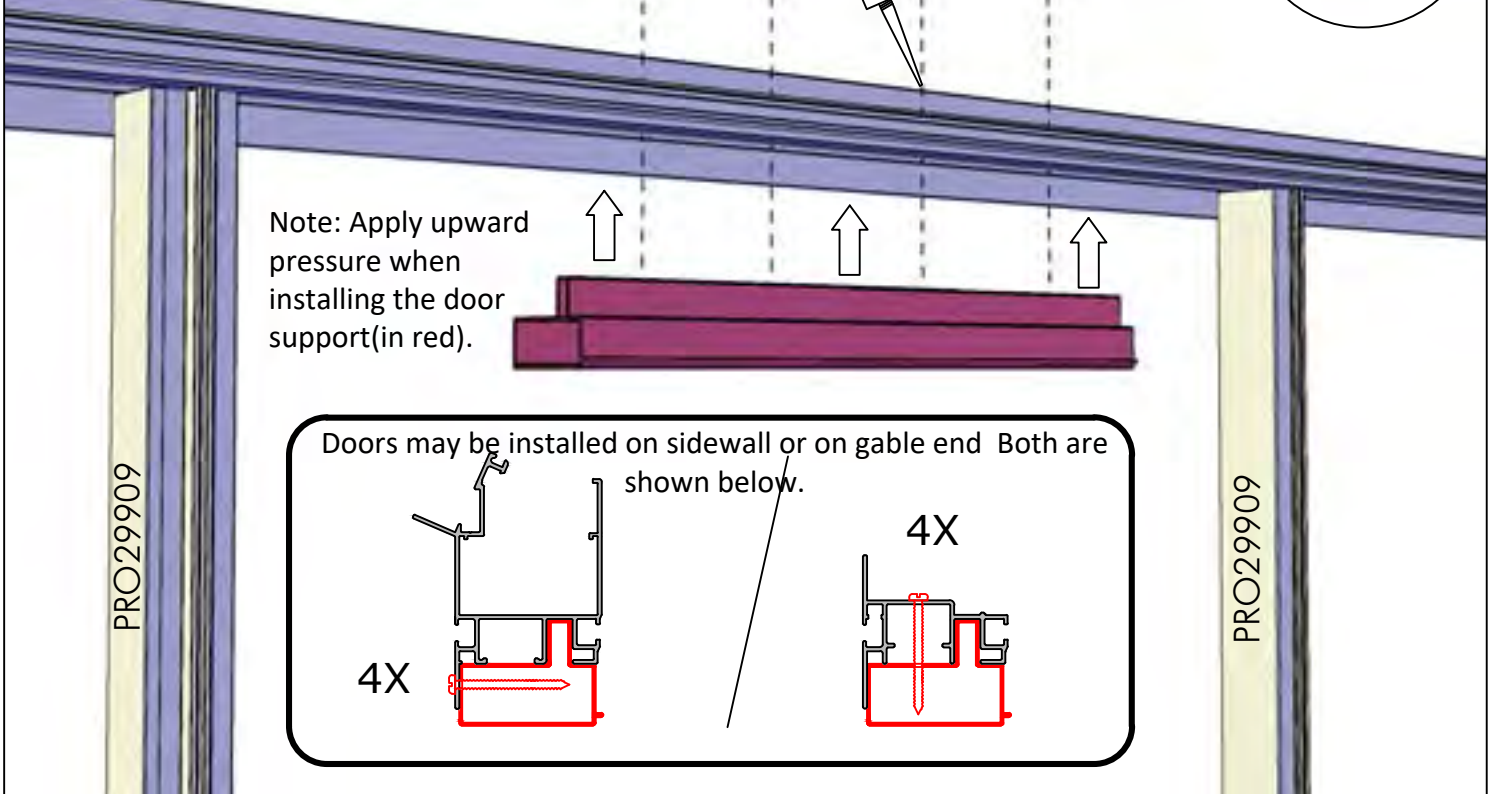
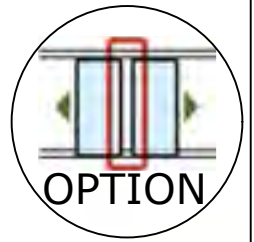
It will be immensely helpful!

# Sliding door (standard for most models) Some models will have double sliding doors.



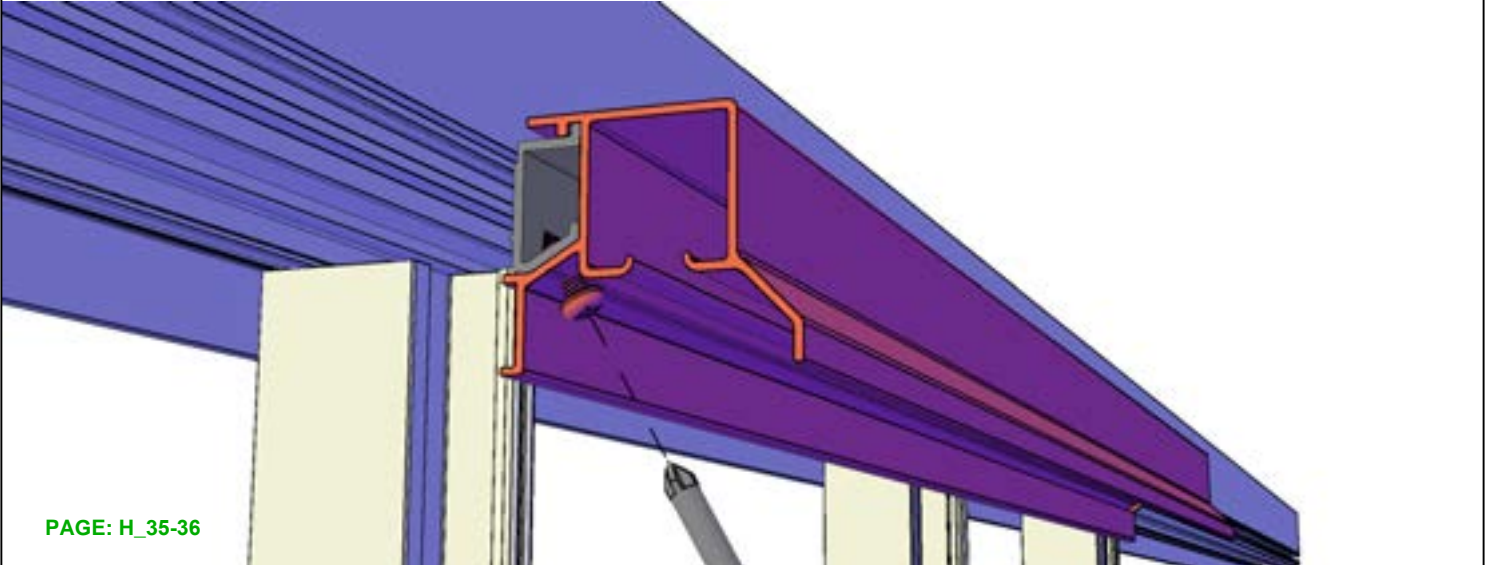
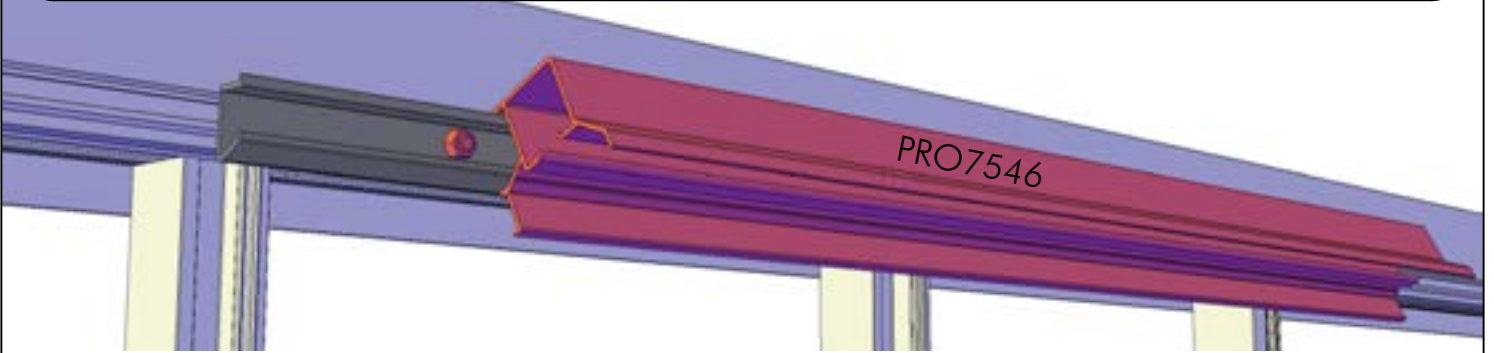
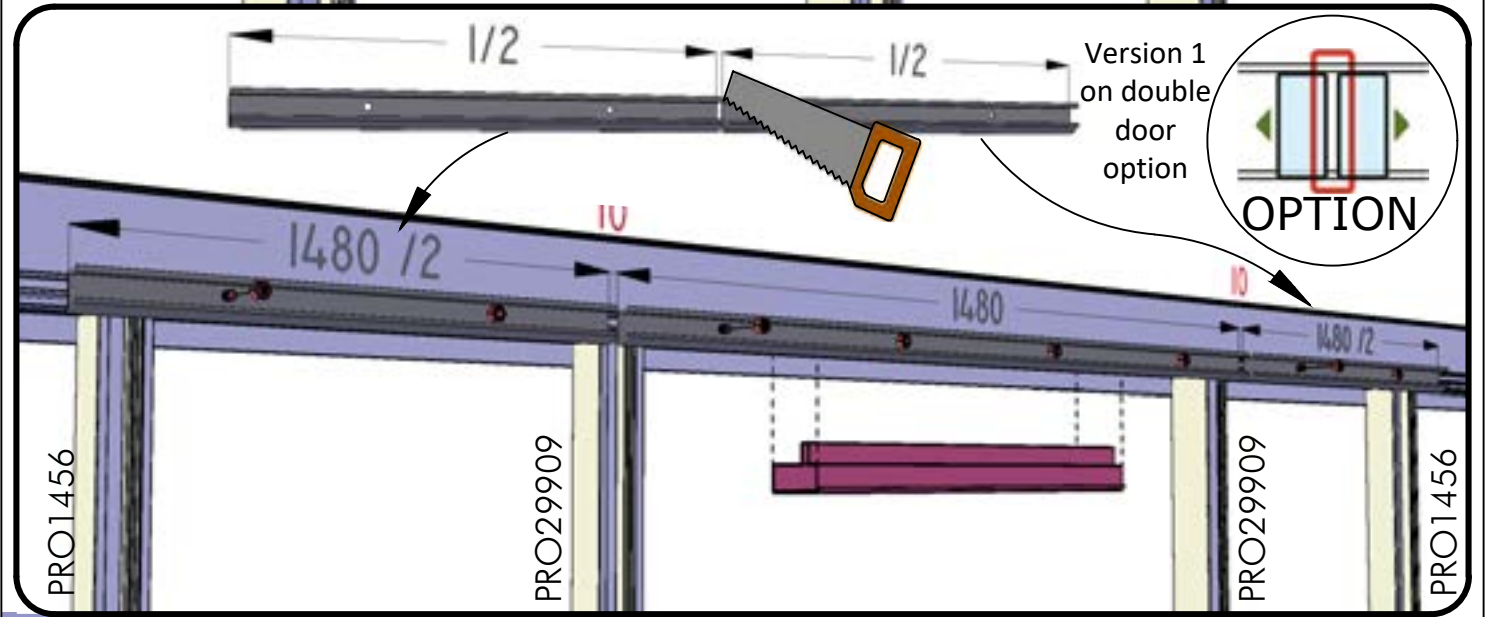
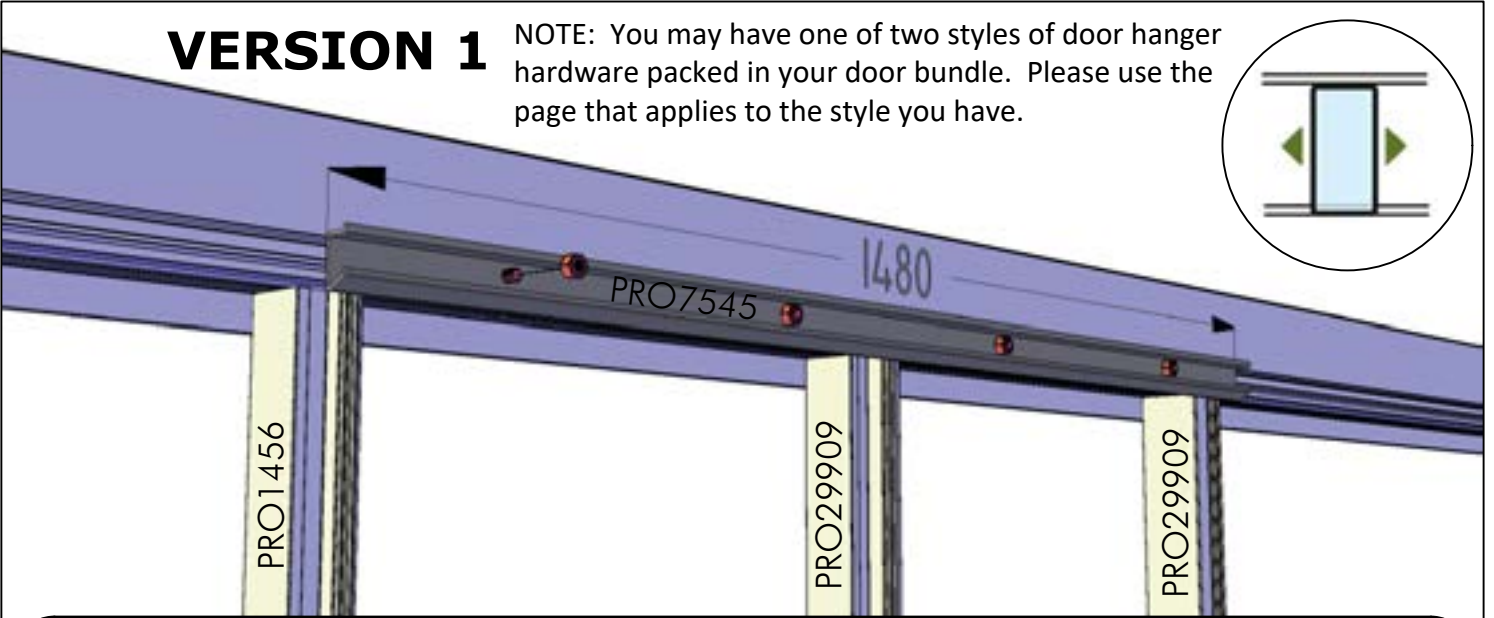
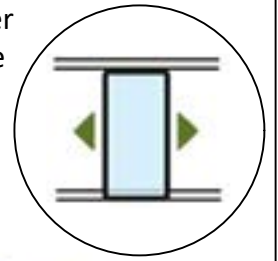
# OPTION: Double Sliding Door

If you have a double sliding door, you will have an extra bundle with the following 2 pieces. The top piece adds support. The piece below closes the gap between the two doors.



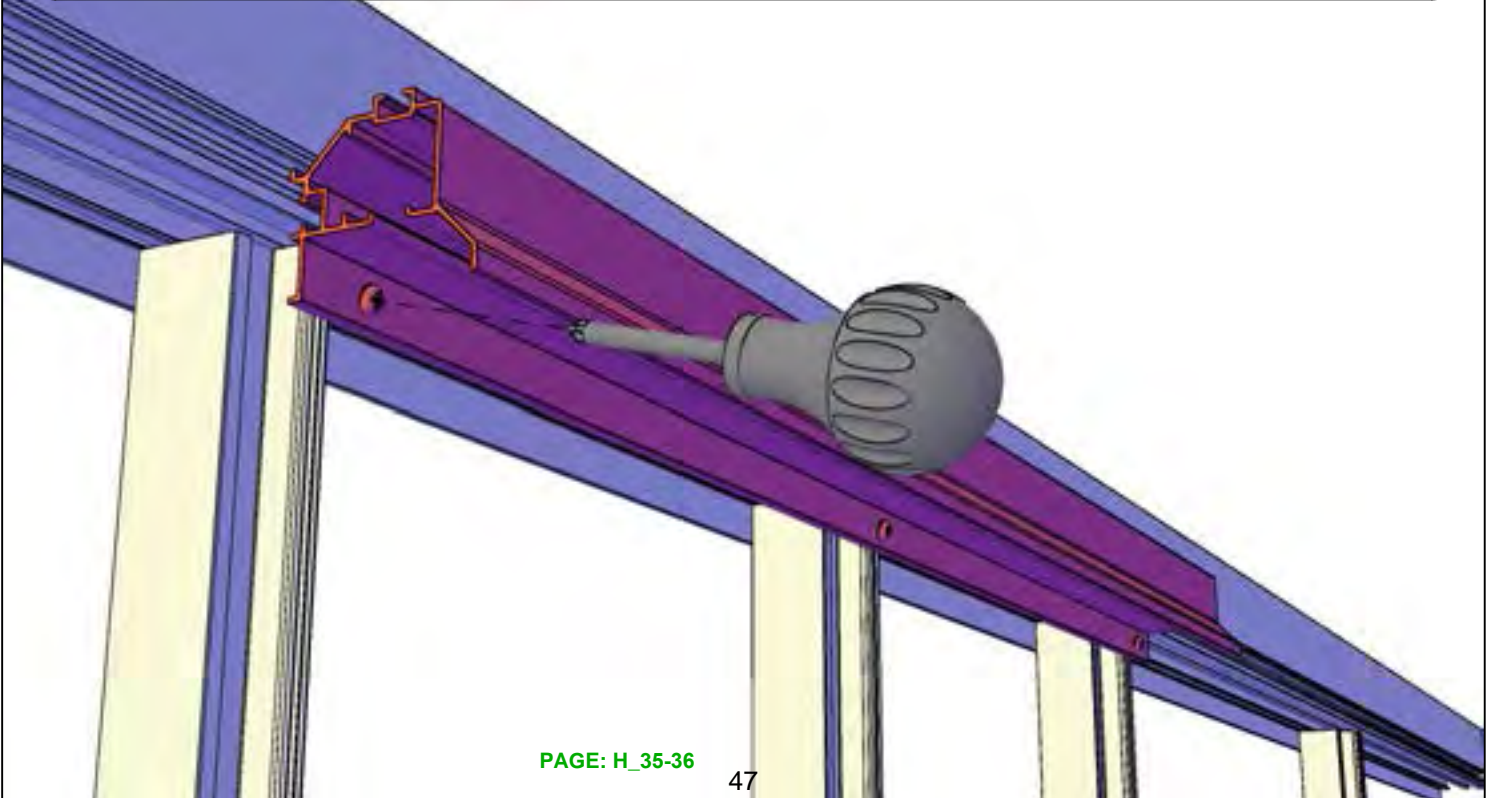
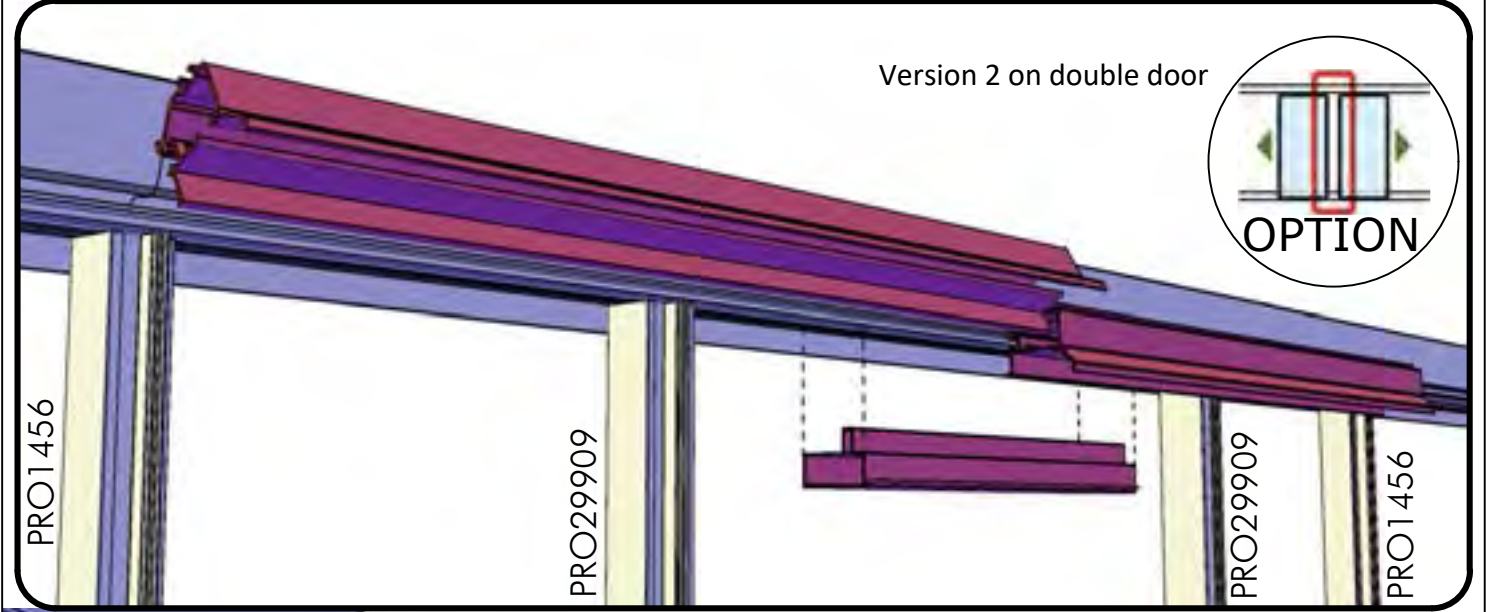
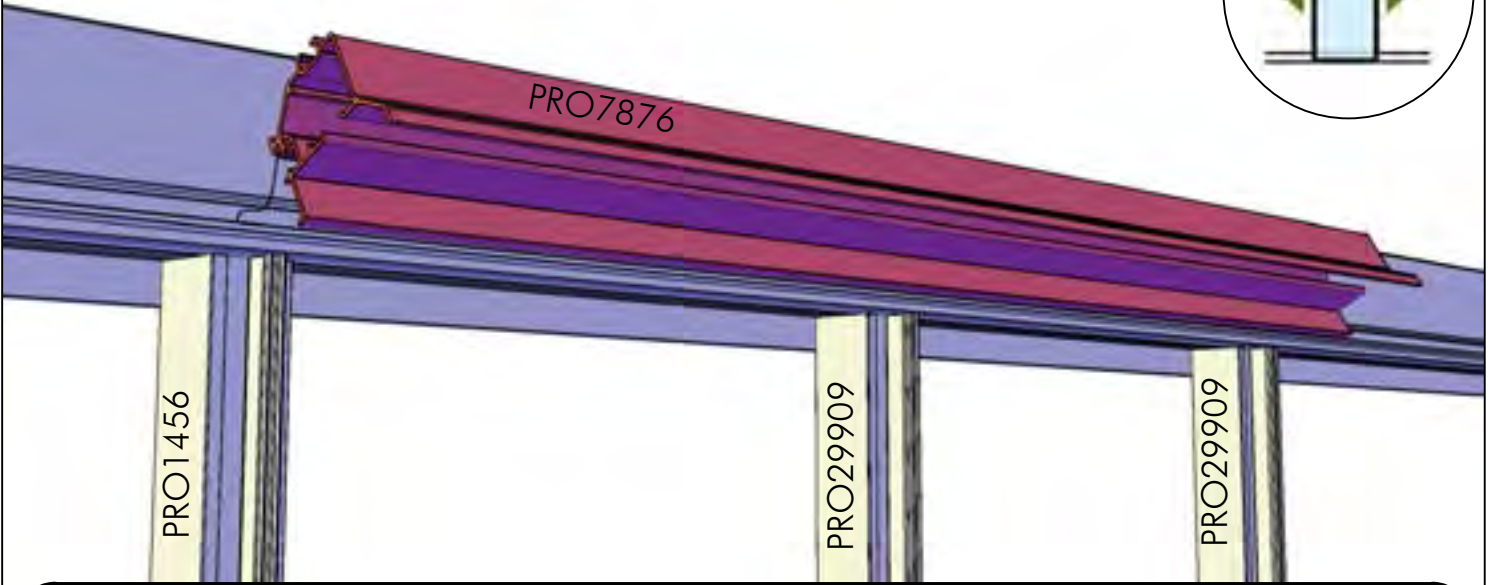
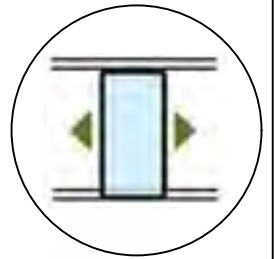
# VERSION 1

NOTE: You may have one of two styles of door hanger hardware packed in your door bundle. Please use the page that applies to the style you have.

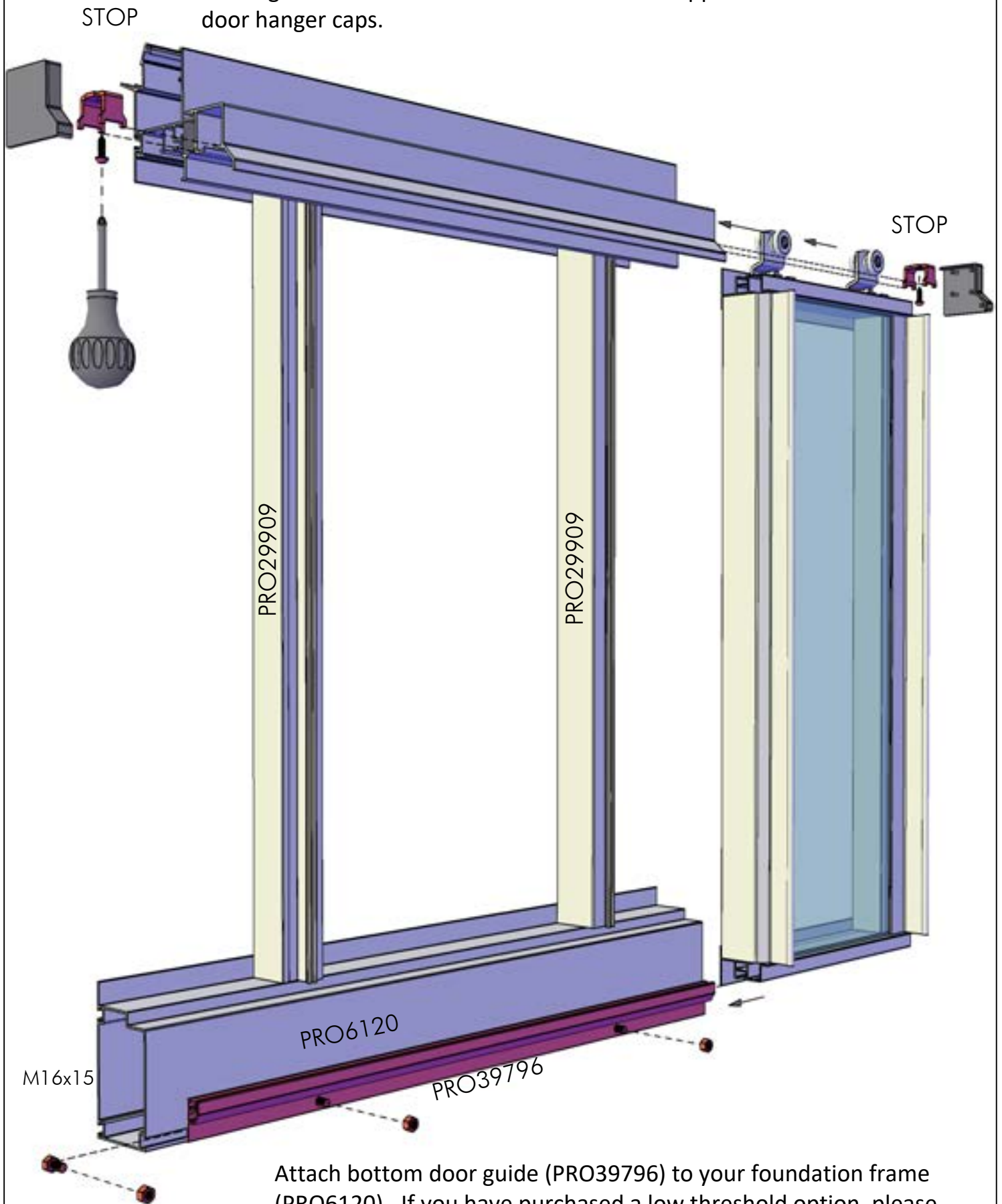


# VERSION 2

NOTE: You may have one of two styles of door hanger hardware packed in your door bundle. Please use the page that applies to the style you have.



Slide door rollers into top door hanger (PRO7546 or PRO7876) and slide a stopper on either side. Determine how far you want your door to slide, then tighten the screw on the bottom of the stopper to secure. Finish with door hanger caps.

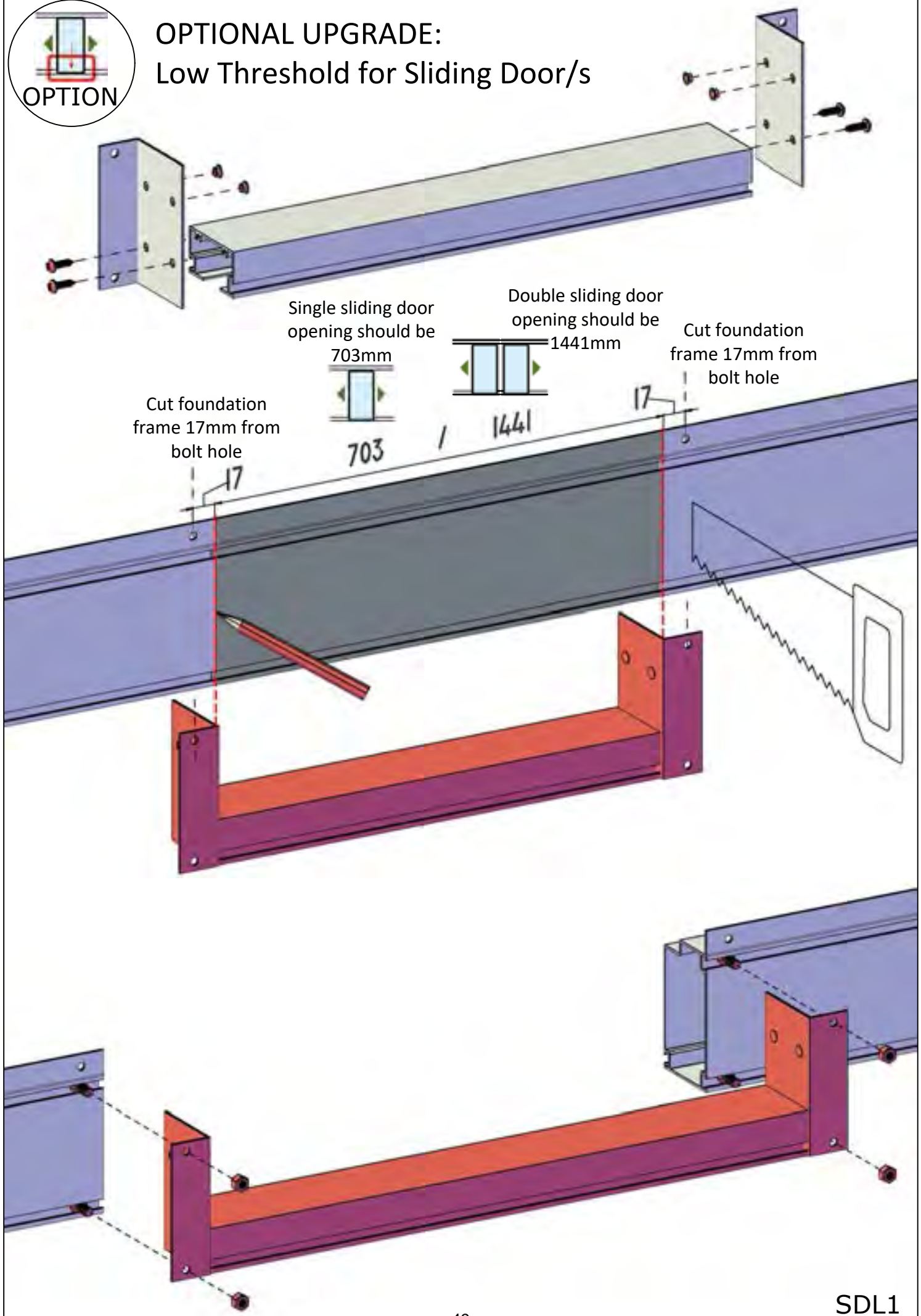


Attach bottom door guide (PRO39796) to your foundation frame (PRO6120). If you have purchased a low threshold option, please see the following page for instructions.





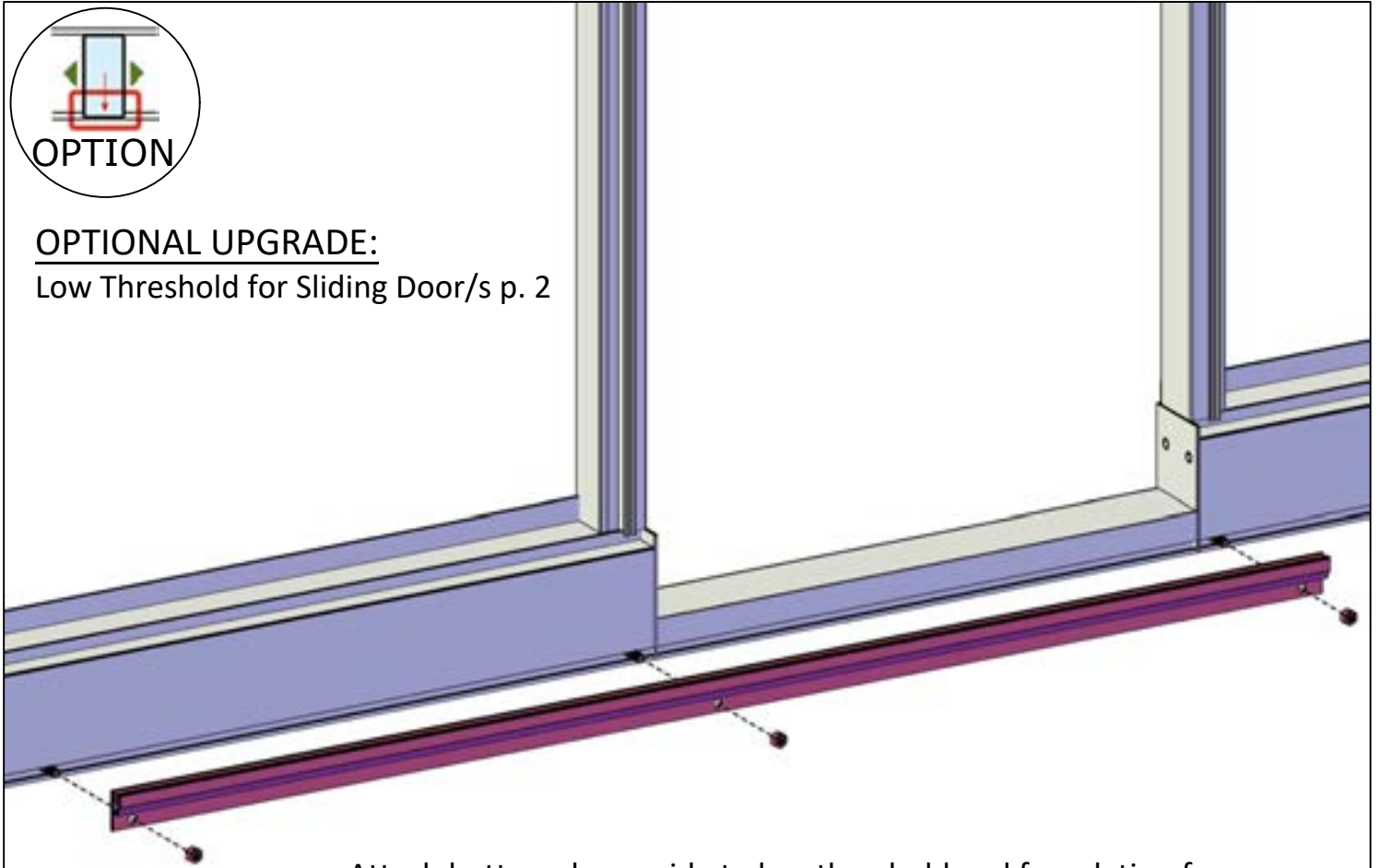
# OPTIONAL UPGRADE: Low Threshold for Sliding Door/s



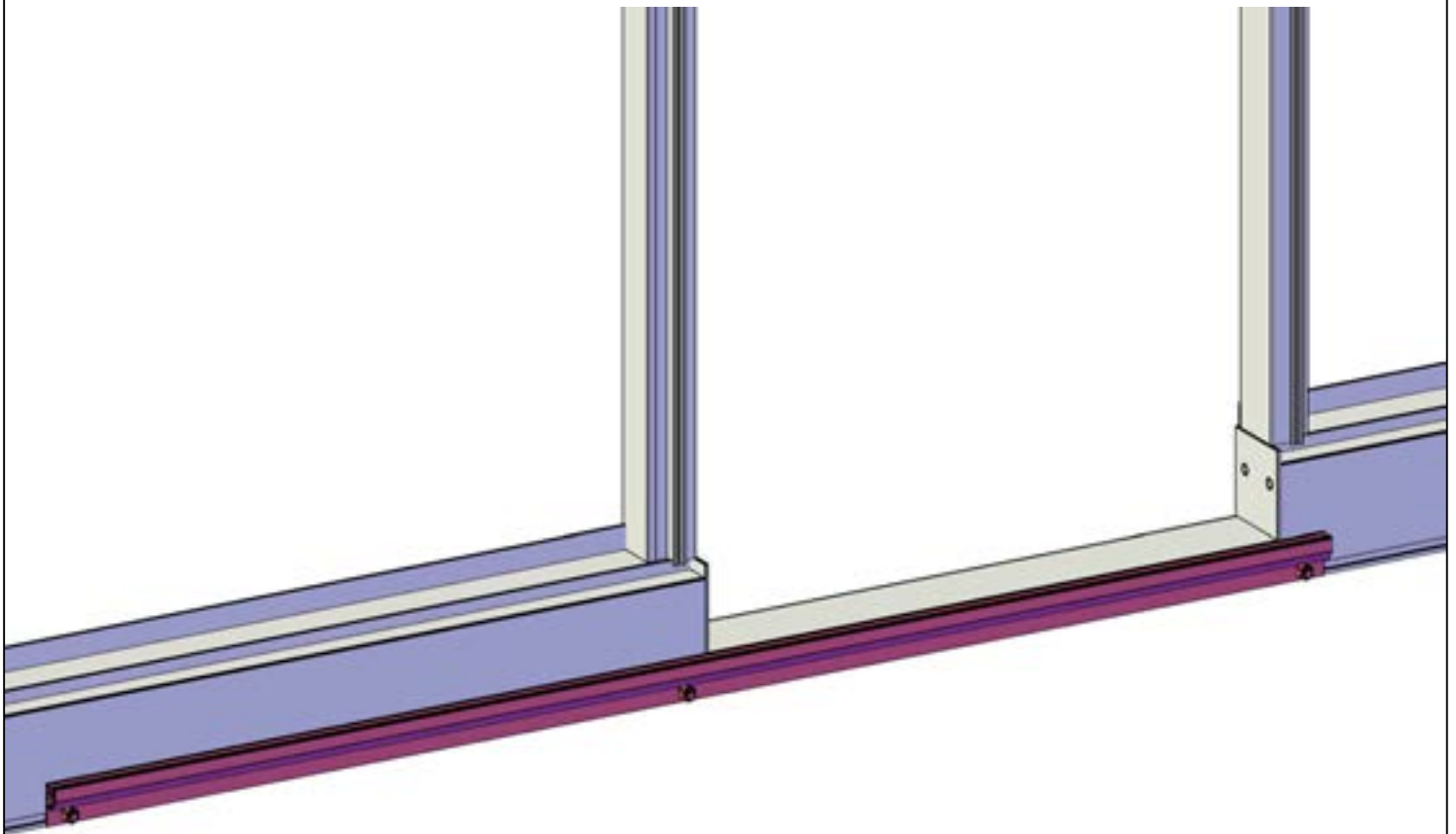


**OPTIONAL UPGRADE:**

Low Threshold for Sliding Door/s p. 2



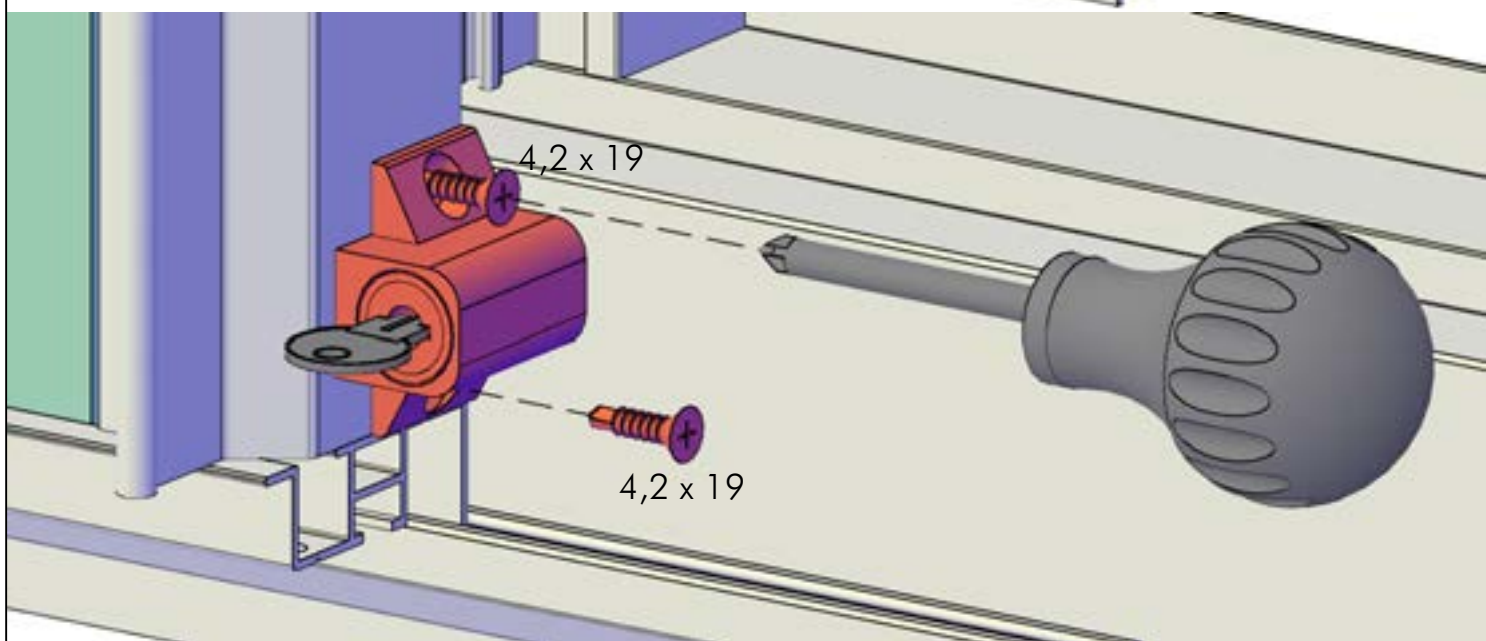
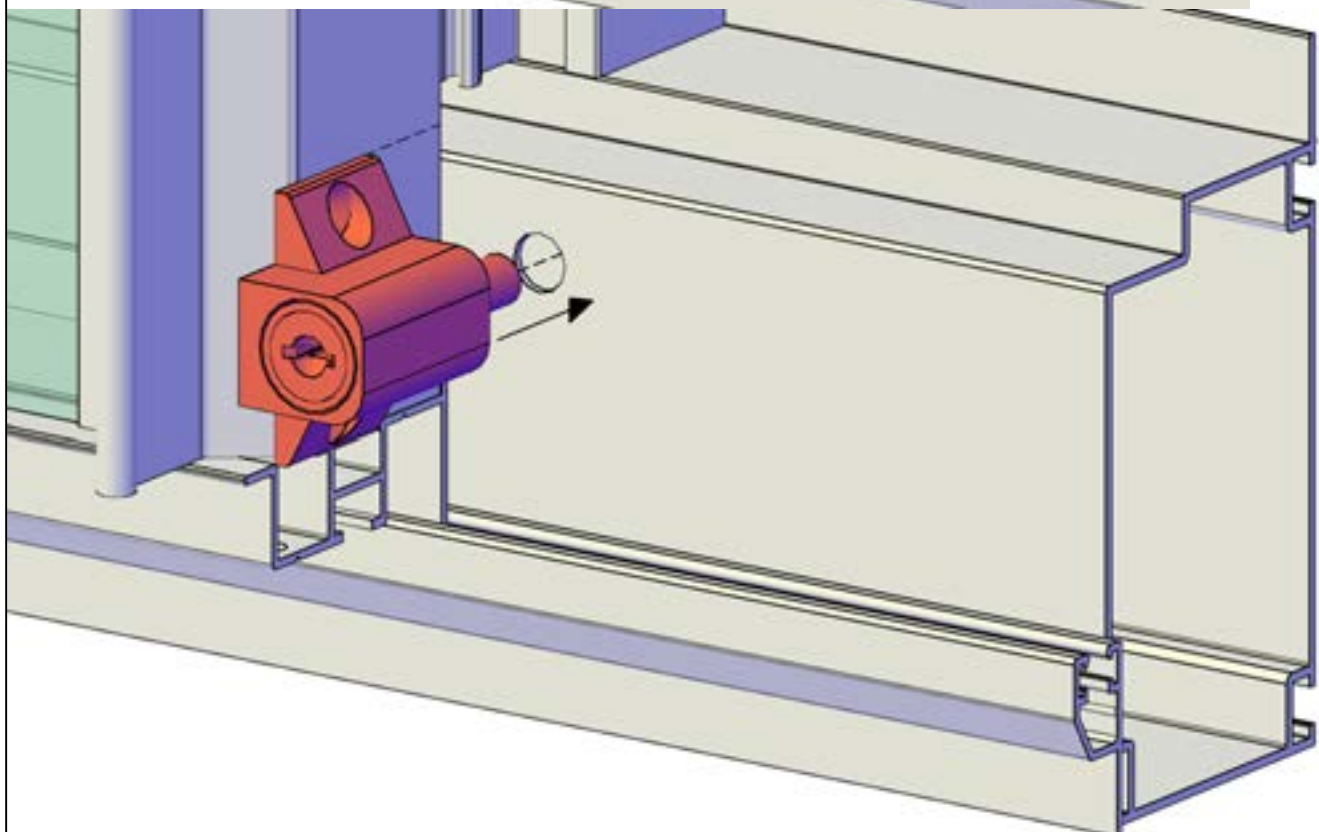
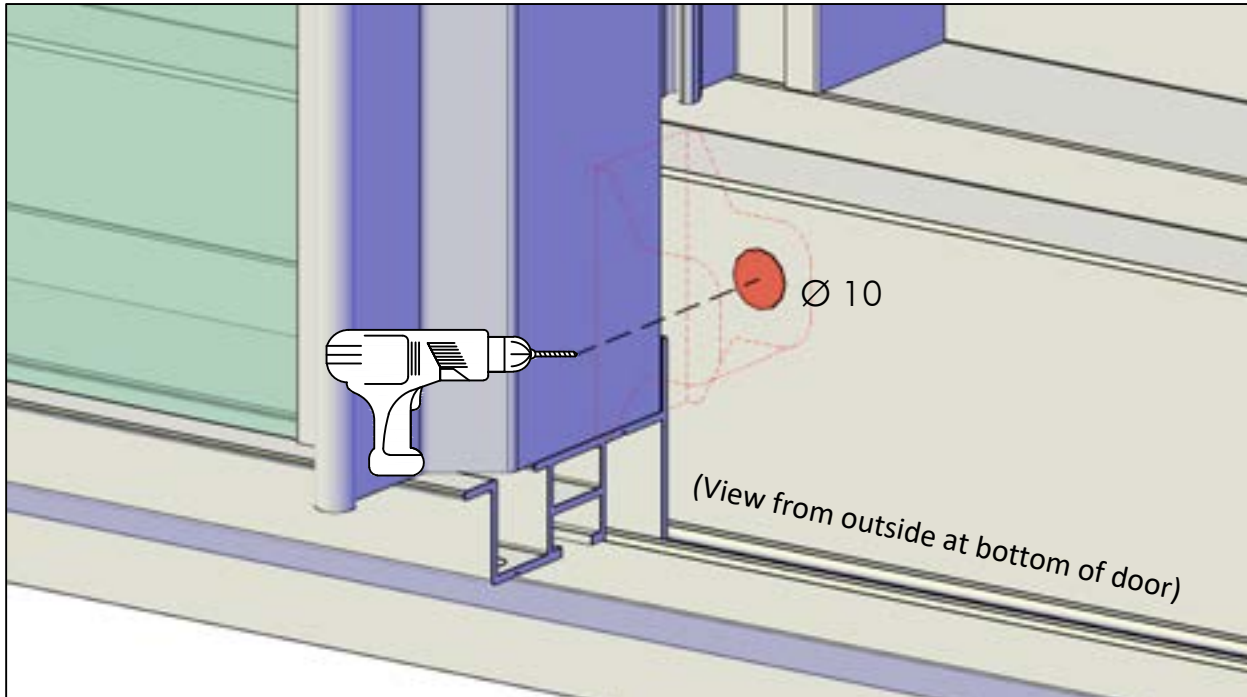
Attach bottom door guide to low threshold and foundation frame.



OPTION



Install lock at bottom of a:  
-Single Sliding Door  
-First door of double sliding doors  
-both of your double sliding doors



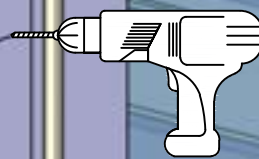
OPTION



If you have a double sliding door, you may install one lock on the inside of your greenhouse as shown

(View from inside at top of door)

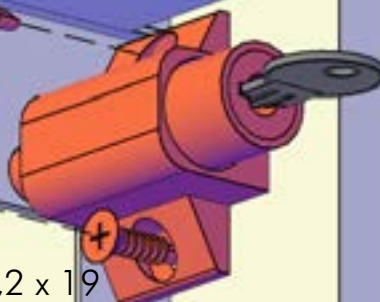
Ø 10



4,2 x 19



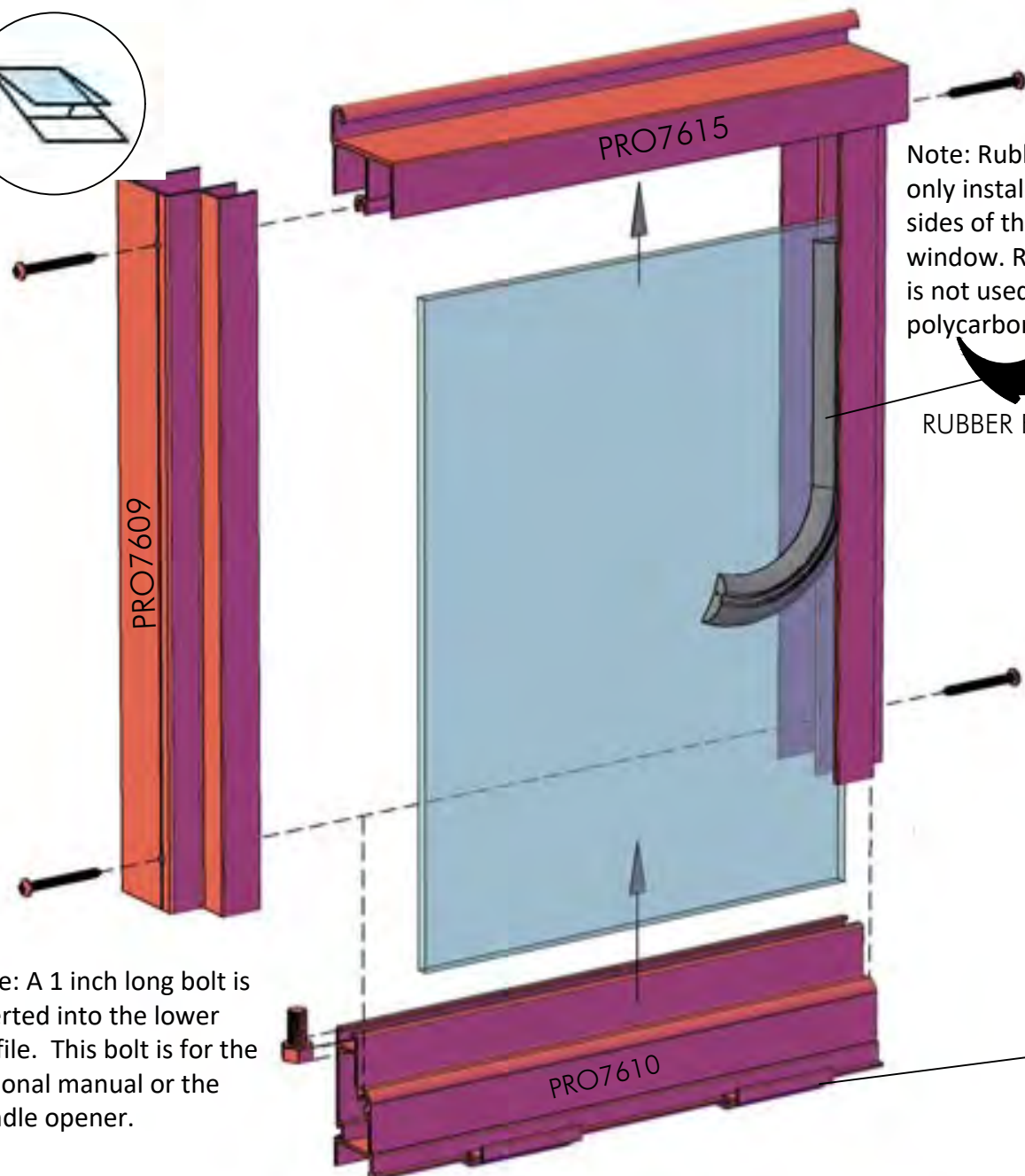
4,2 x 19



# Roof Window Vent - all hardware is in roof window package



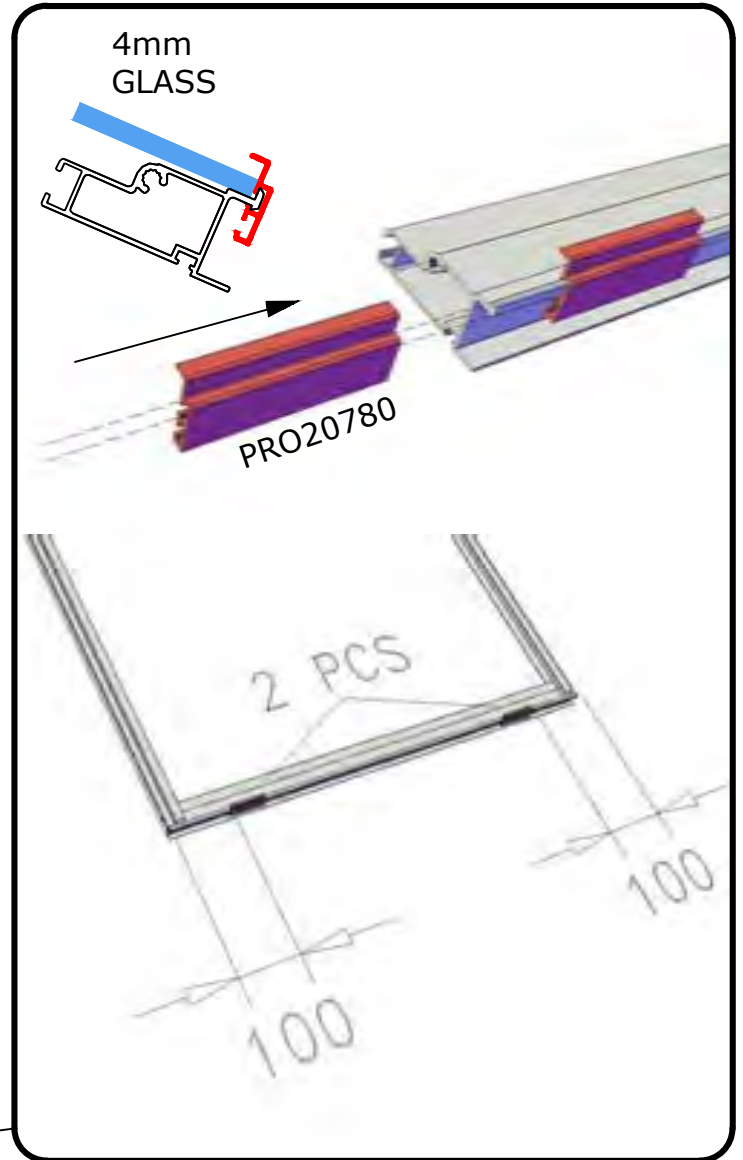
53



Note: Rubber seal is only installed on the sides of the roof window. Rubber gasket is not used on polycarbonate models.



Note: A 1 inch long bolt is inserted into the lower profile. This bolt is for the optional manual or the spindle opener.



4mm GLASS

PRO20780

2 PCS

100

100

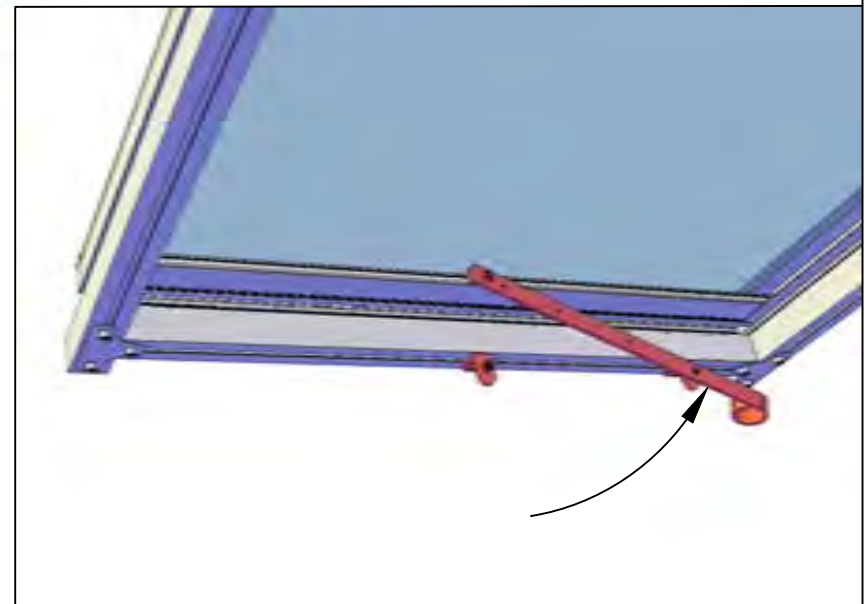
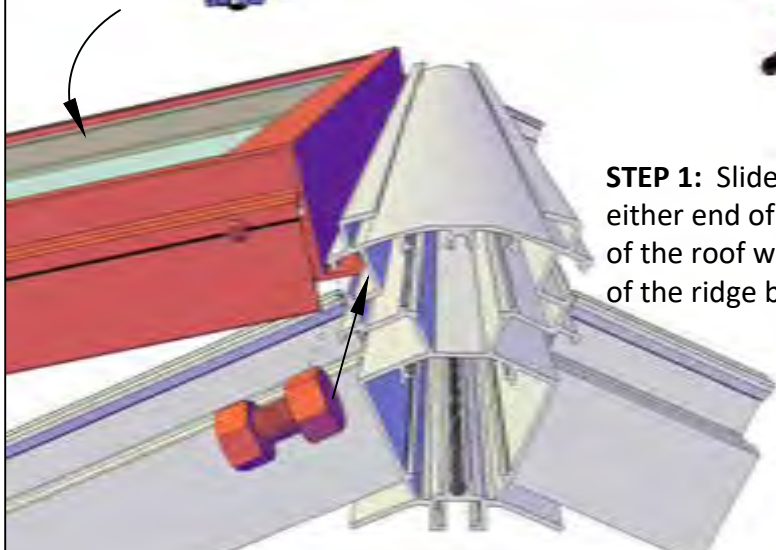
# Roof Window Installation

**Note:** Inserting a bolt/nut on both sides of the roof window will prevent it from moving side to side once it is in place.

Standard manual opener shown (generally not installed). However, it may be used to secure the window in the closed position - auto opener **MUST** be detached.

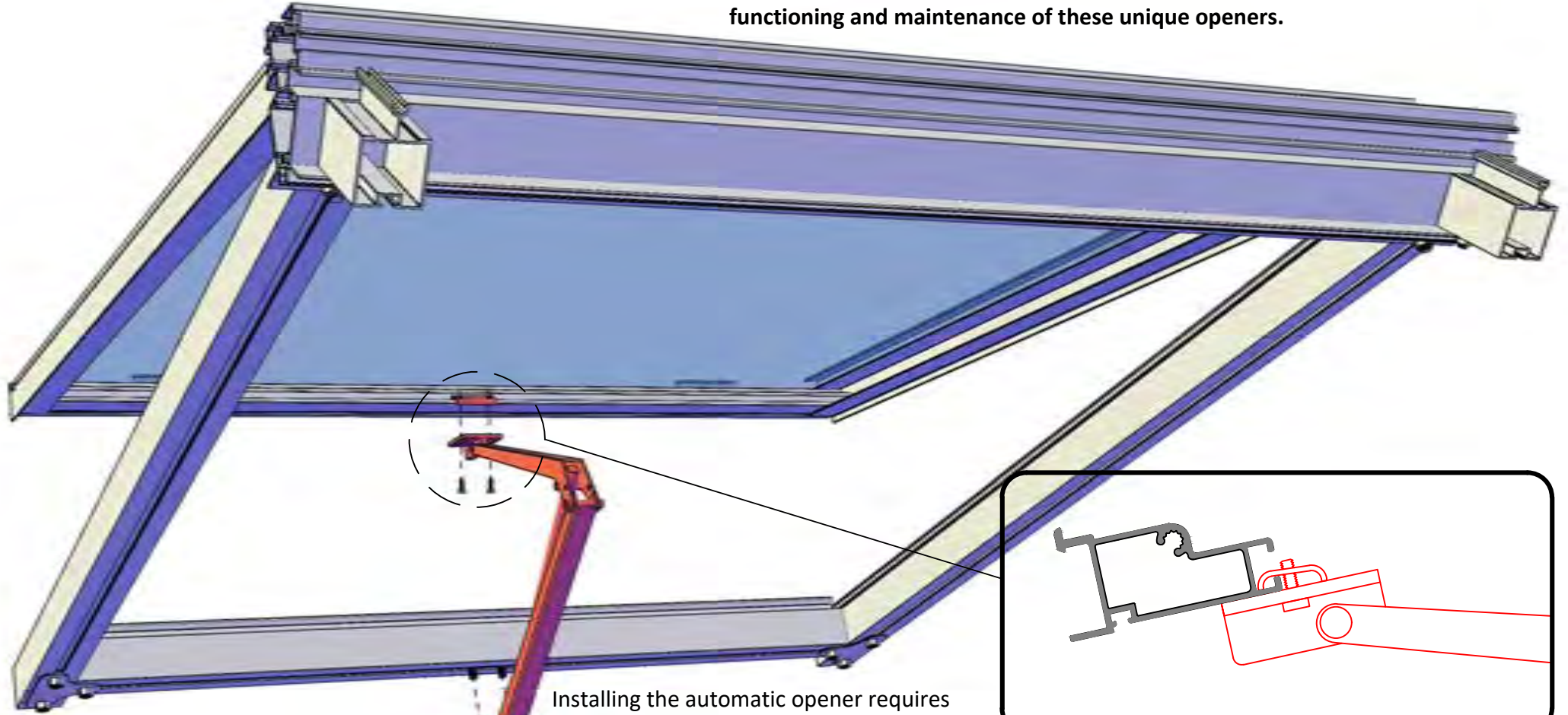
54

**STEP 1:** Slide window into the ridge beam from either end of the greenhouse. The "hook" on the top of the roof window profile will slide into the channel of the ridge beam.



# OPTION: Auto Opener (Ventomax)

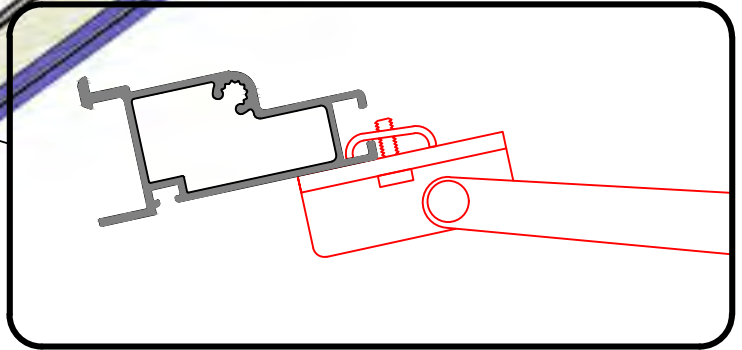
**IMPORTANT!** Read installation instructions included in your Ventomax auto opener box to ensure proper installation. There is also information to fully understand the functioning and maintenance of these unique openers.



The Ventomax openers work with an oil filled piston (black cylinder). The oil begins to expand around 72 degrees and will push out and open your window when the temperature in the greenhouse is above 75 degrees (outdoor temp will likely be cooler).

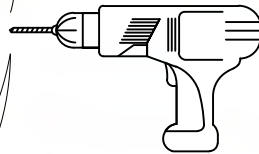
Installing the automatic opener requires 2 bolts to be inserted into the roof crossbar for the lower mount. The upper mount will clamp onto the window profile. (Shown to the right)

**If you are struggling to install your piston and it is above 70 degrees, place the piston in cold water/ fridge for 10 minutes so the rod can retract.**  
**Oil piston rod 2-3 times/year with a light oil such as WD40 or even olive oil.**



# OPTION: Spindle Manual Opener

Installation Option 1:  
Mount top of opener to  
window with a screw

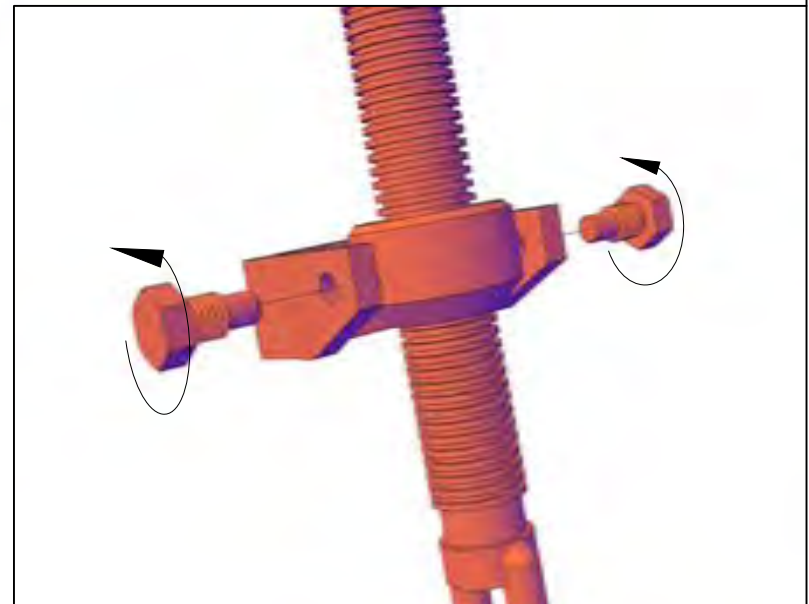


56

Installation Option 2: Insert a 1 inch long bolt into  
lower roof window channel. Slide to the center and  
lock it in place with a nut as shown below.



Next, hold the lower U-shaped mount up  
to the crossbar and mark the center of one  
hole. Using a 1/8" drill bit, drill the first  
hole, then screw the bracket on, check for  
level - then mark and drill the second hole.  
Slide the brass part of the opener over the  
bolt in the window channel. Use the  
supplied nylock nut to secure the opener  
on the top mounting bolt. Finally thread  
the large side bolts into the U-shaped  
mount and the opener is installed.





# Louvre Window - All Standard Royal models include one louvred window

Note: All louvered window are black (even with green models).

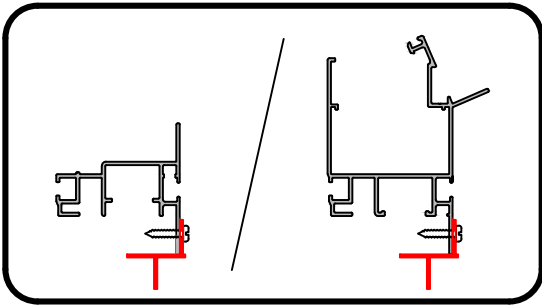


Insert a washer between black louvre frame and the greenhouse profile at all four bolt locations.

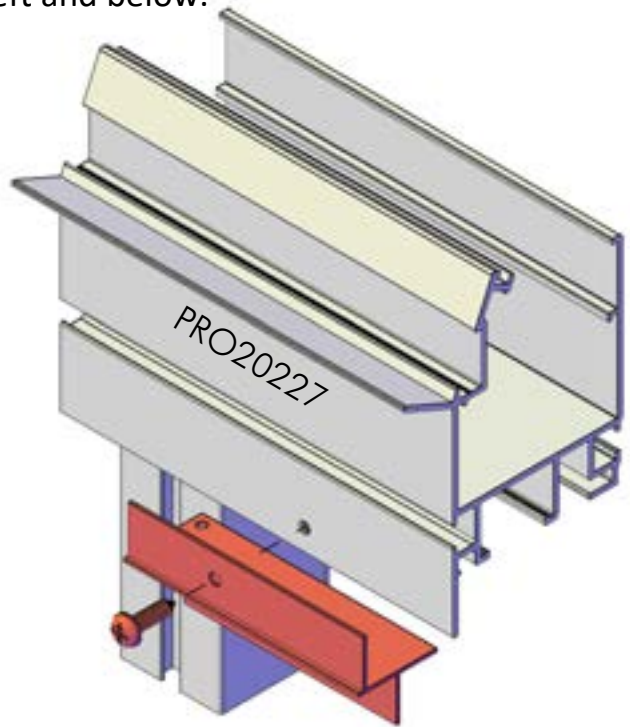
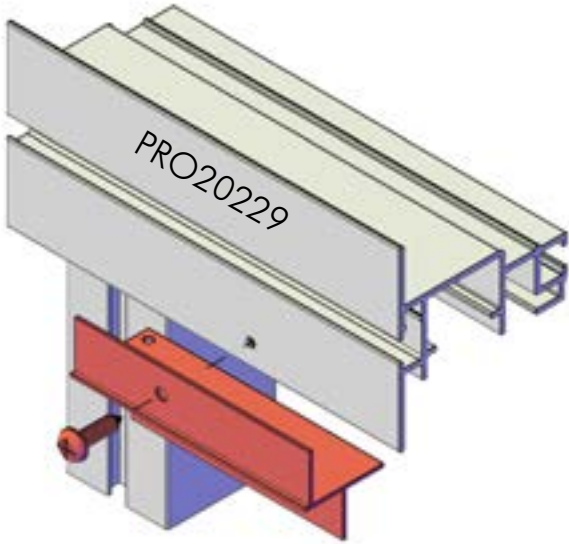
It is likely that your kit include an automatic opener (SESAM LIBERTY) for the louvre vent. Please refer to the Installation and Care manual packaged with the Sesam Liberty opener. You will need to remove the manual opener following the directions.

Piston maintenance: apply a light oil (WD40 or olive oil work) to the piston rod to keep it moving smoothly 2-3 times/year.

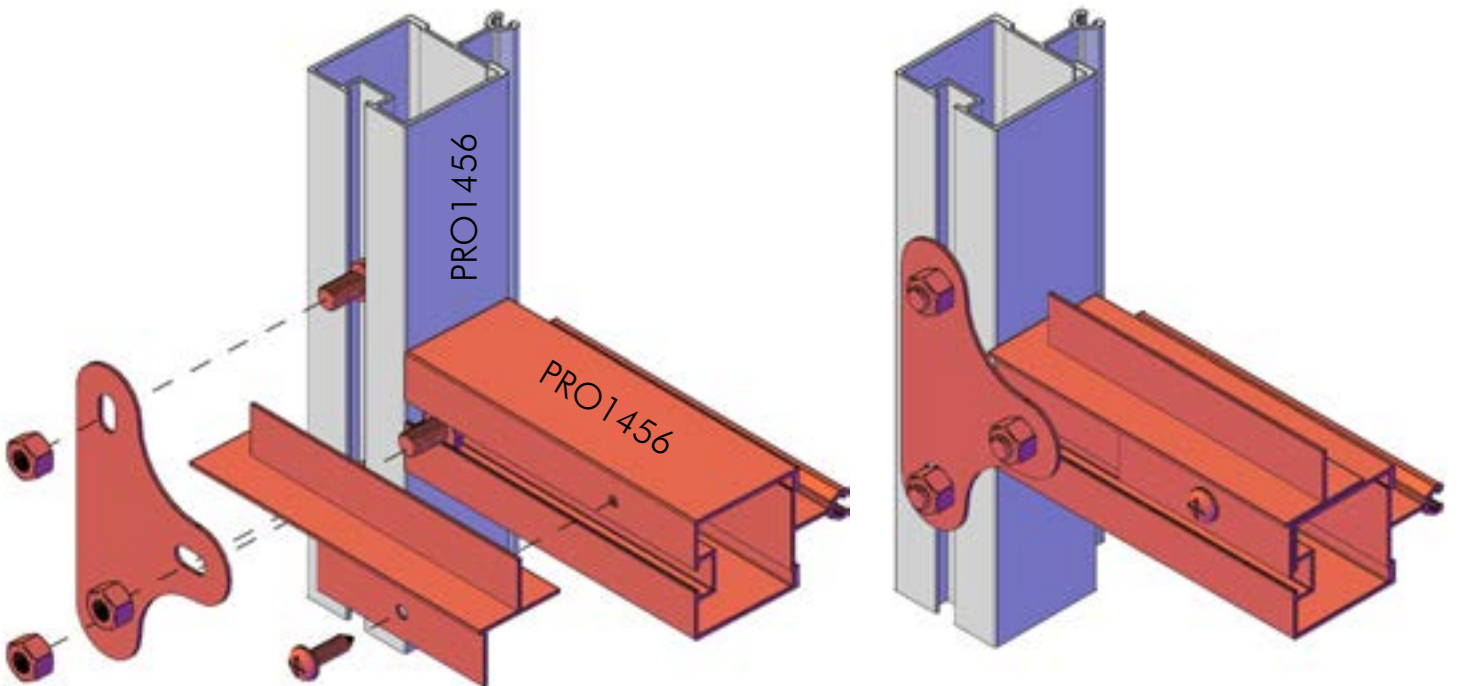
1



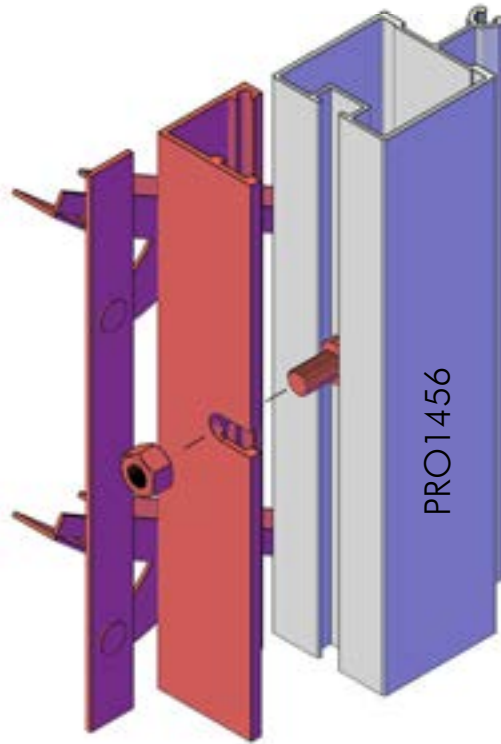
Louvre window may be installed on sidewall (under gutter profile (PRO20227)) or on gable end (under horizontal gable profile (PRO20229)). Both are shown to the left and below.



2



3

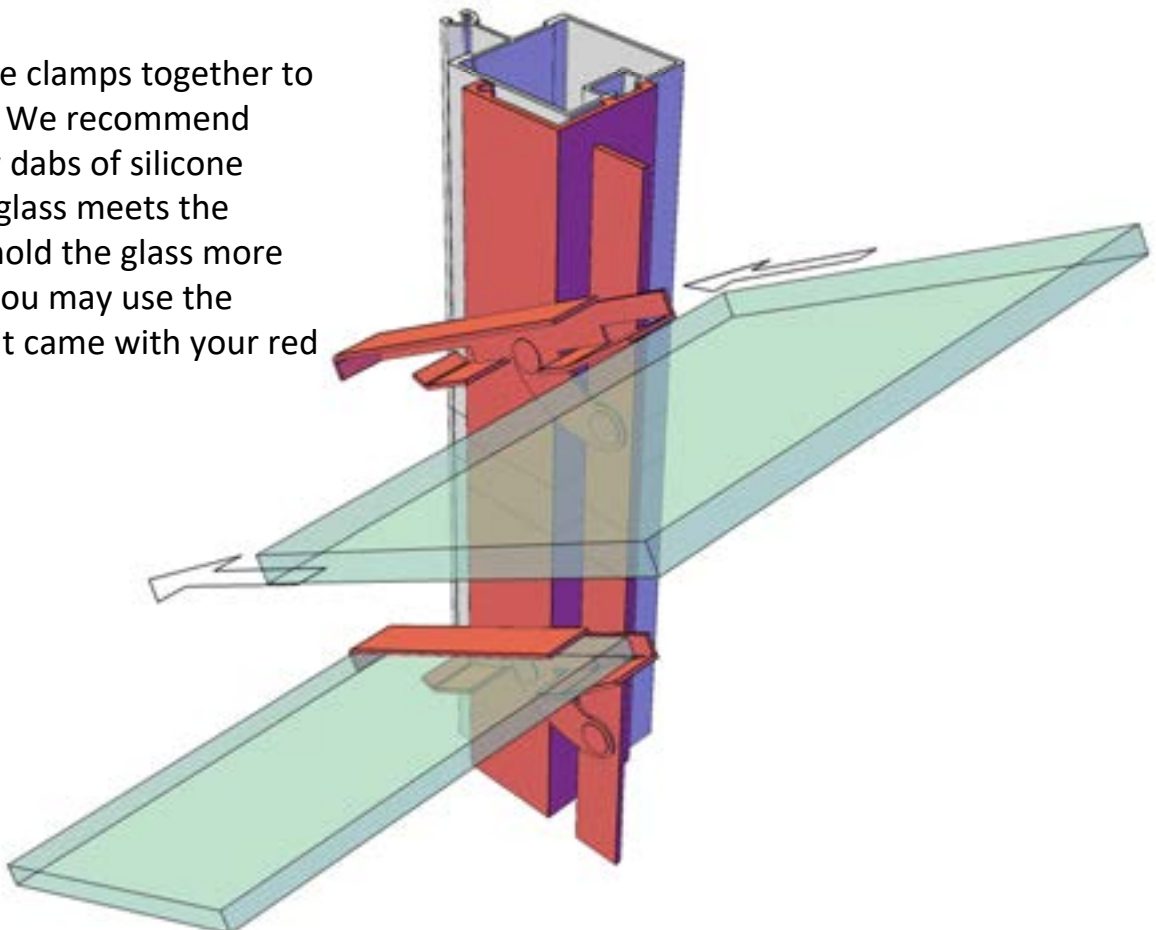


Insert a washer (not included) between black louvre frame and the greenhouse profile at all four bolt locations.

4X

4

Pinch louvre clamps together to hold glass. We recommend using a few dabs of silicone where the glass meets the clamps to hold the glass more securely. You may use the silicone that came with your red shims.



# Louver Window Cover

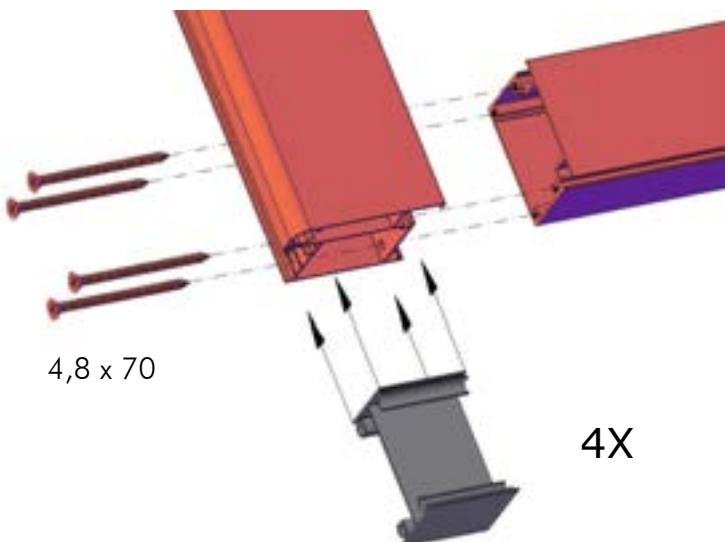
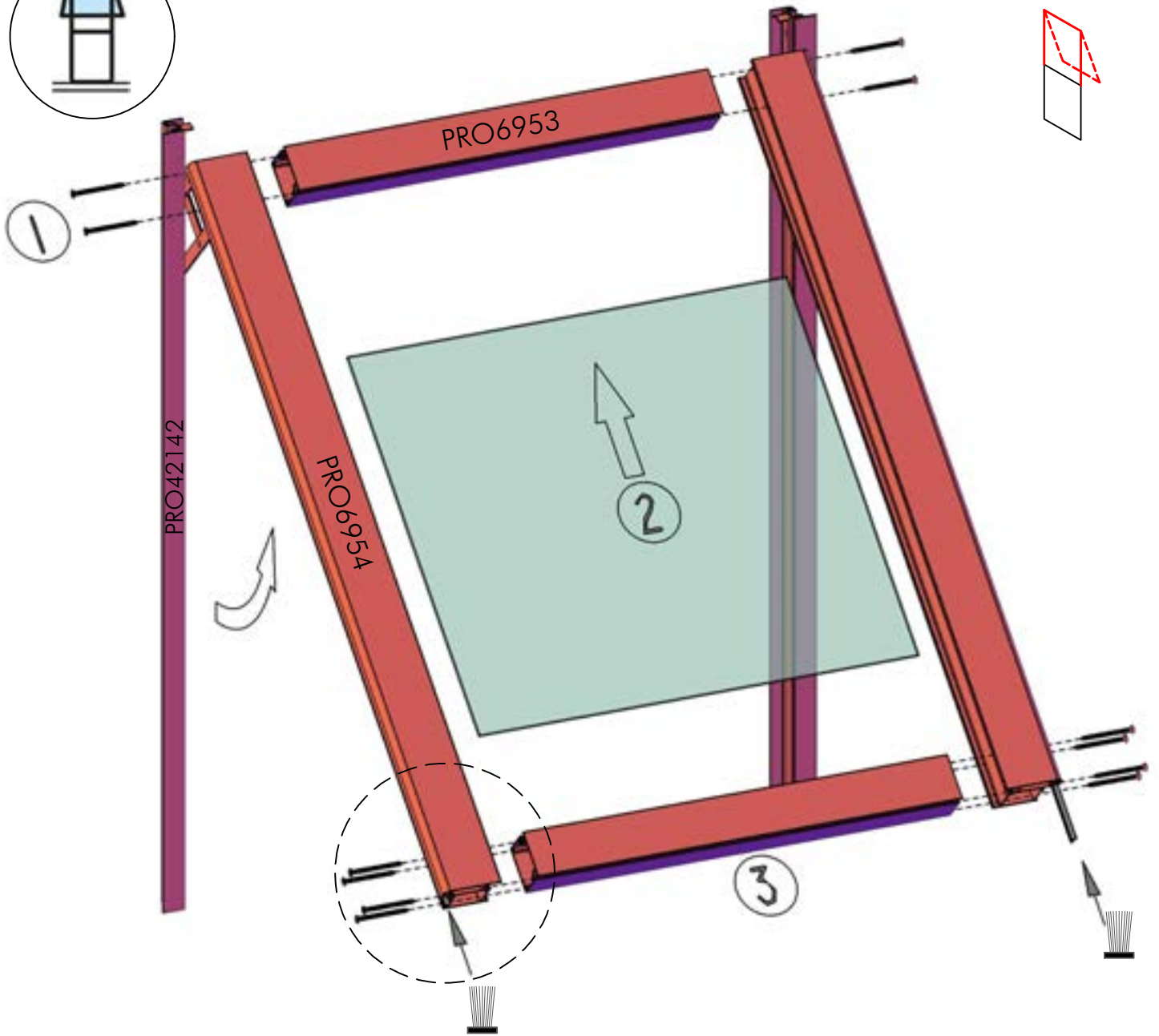
During cold weather, the louvered window may get drafty. Your kit includes a lexan cover to seal the louvers during this time.

To install the Lexan panel:

- Unscrew the piston from your auto opener
- Go outside the greenhouse and pull back the heavy duty rubber gaskets that hold in the panes of glass to the left, right, and bottom of the louvered window (see picture to the right)
- Place the lexan panel over the louvers as though it were a pane of glass and replace all the heavy duty gaskets (see photos below)

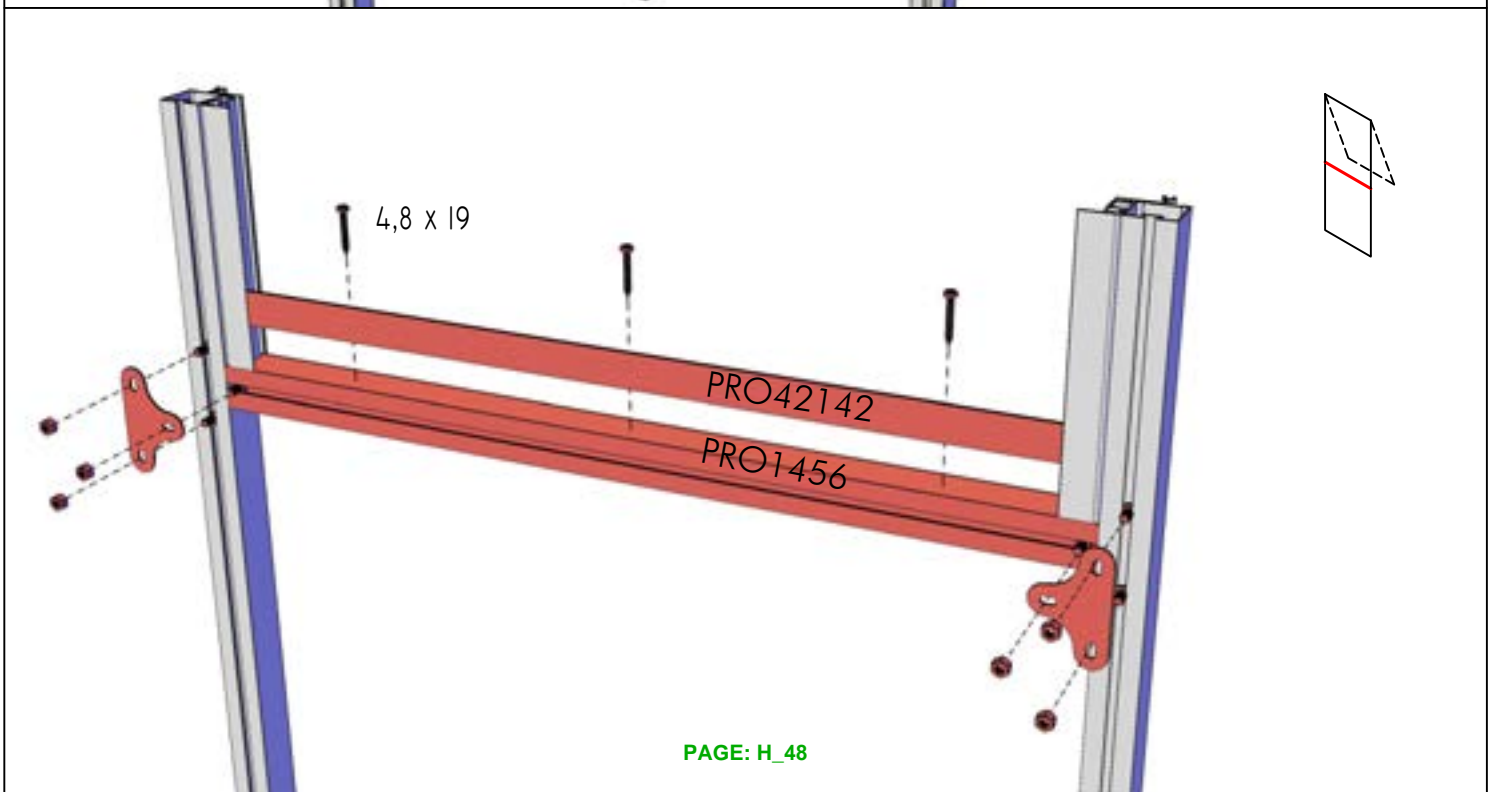
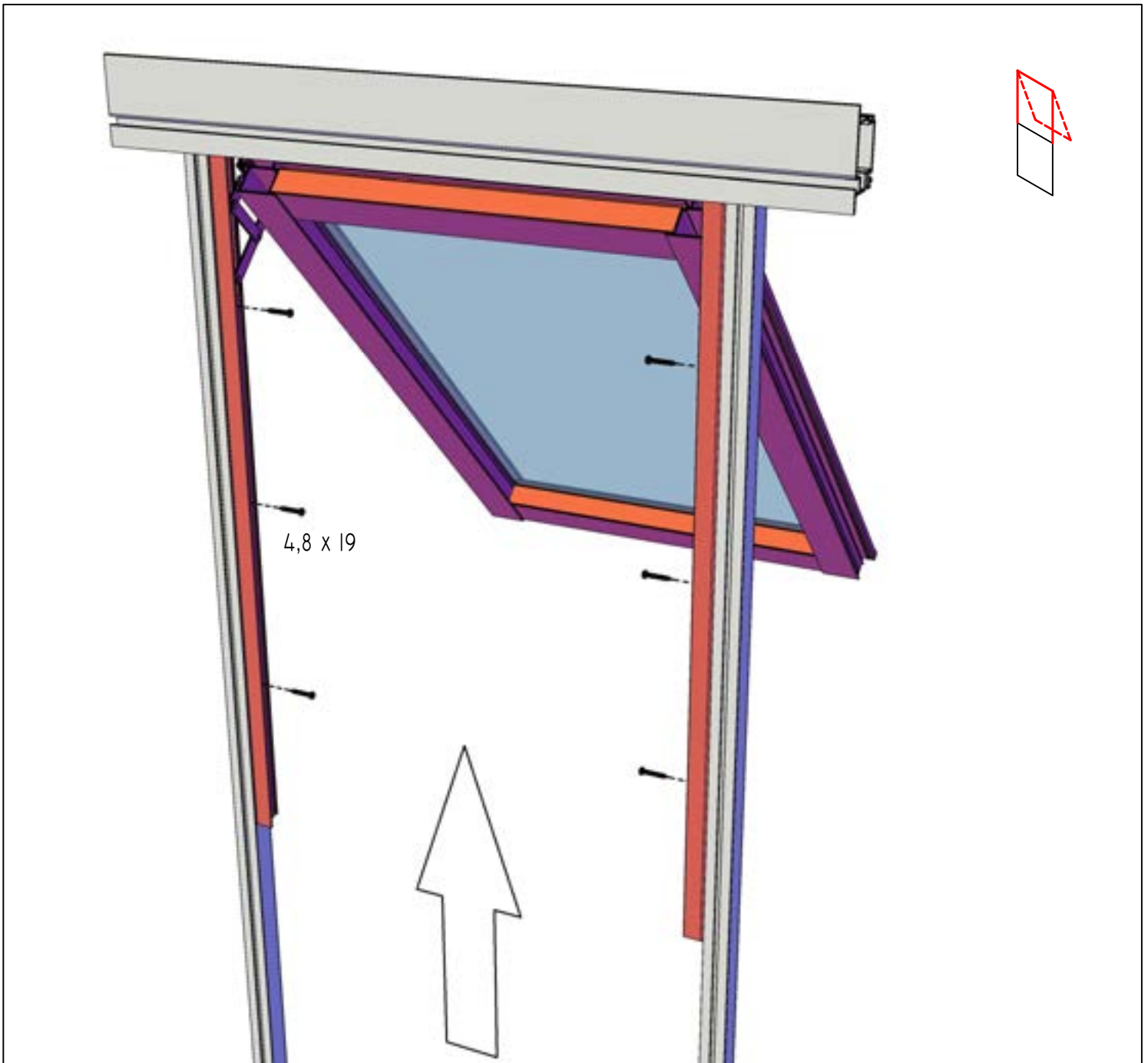


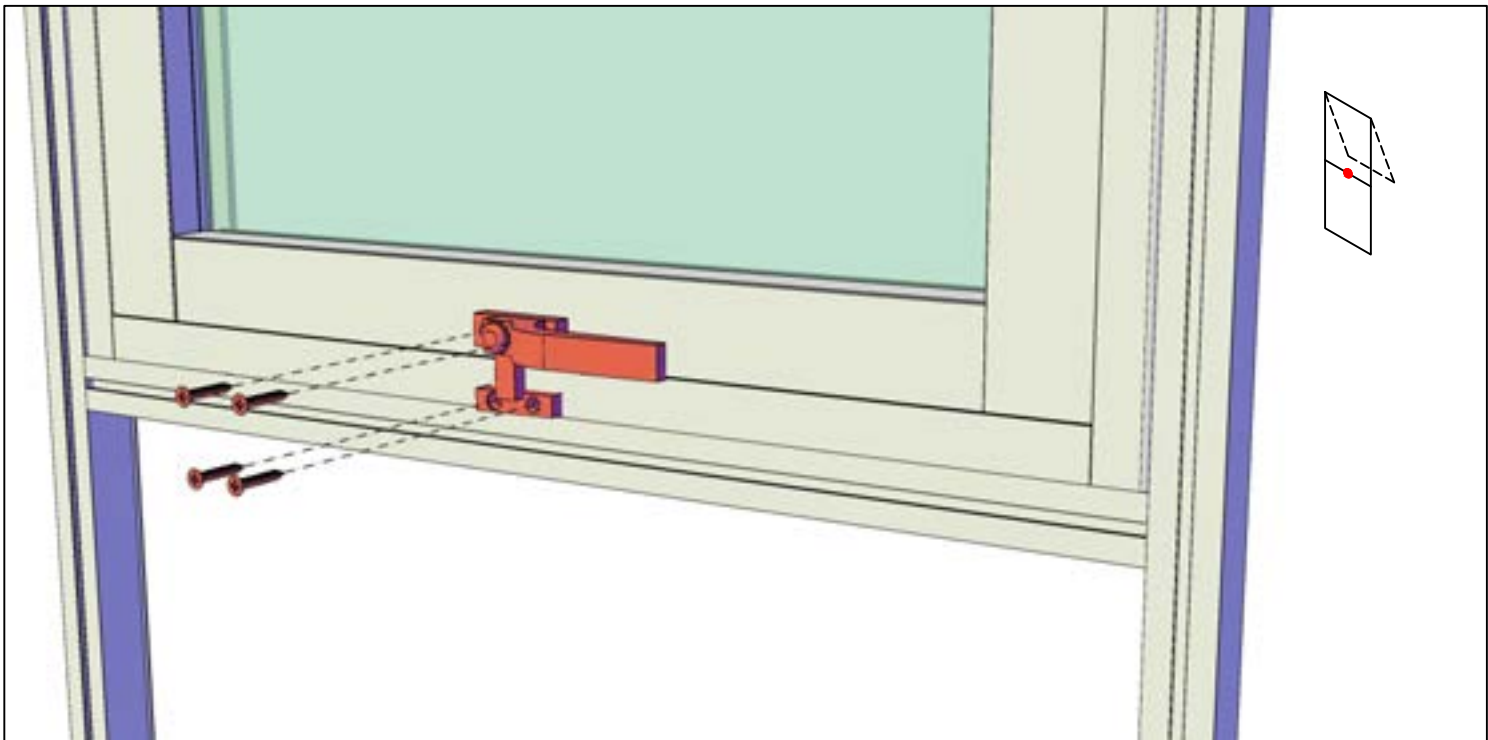
OPTION: Push out window - no standard Royals include this option unless added



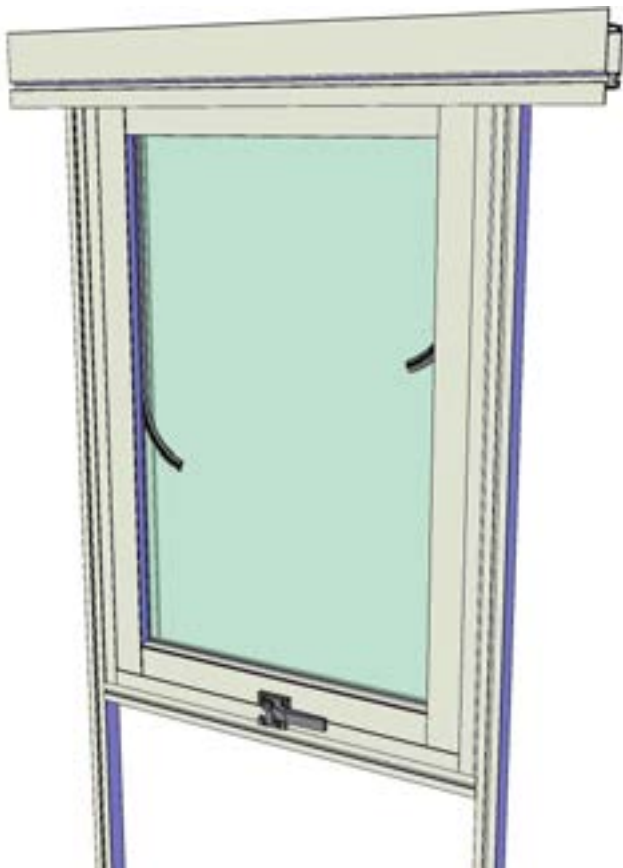
4,8 x 70

4X

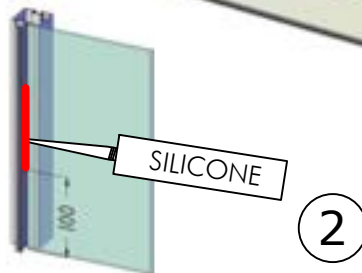
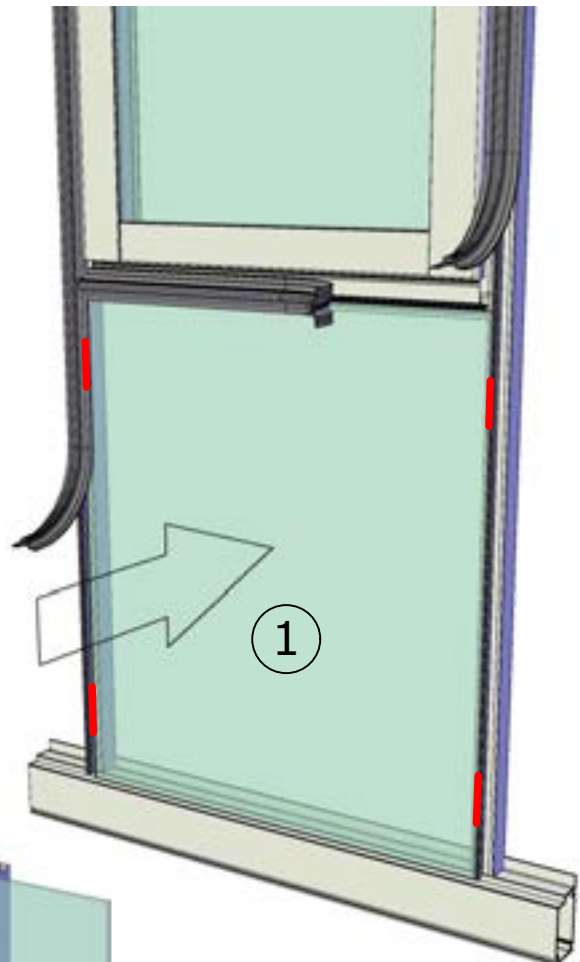




RUBBER E400330

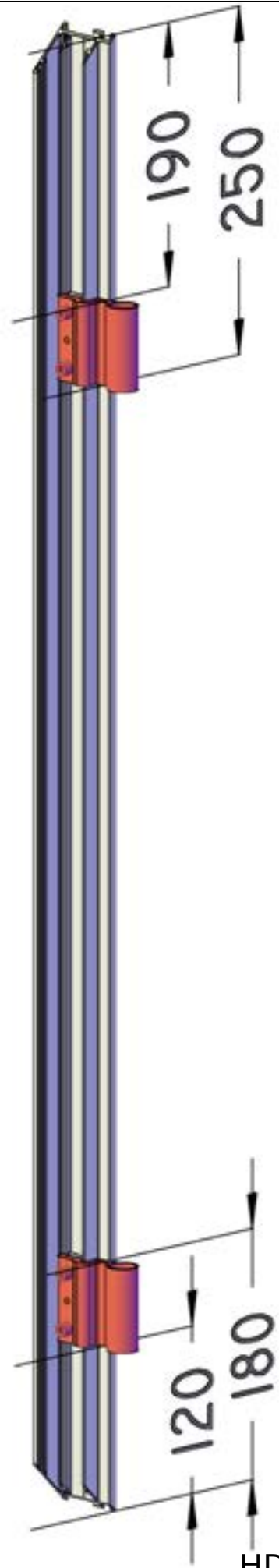
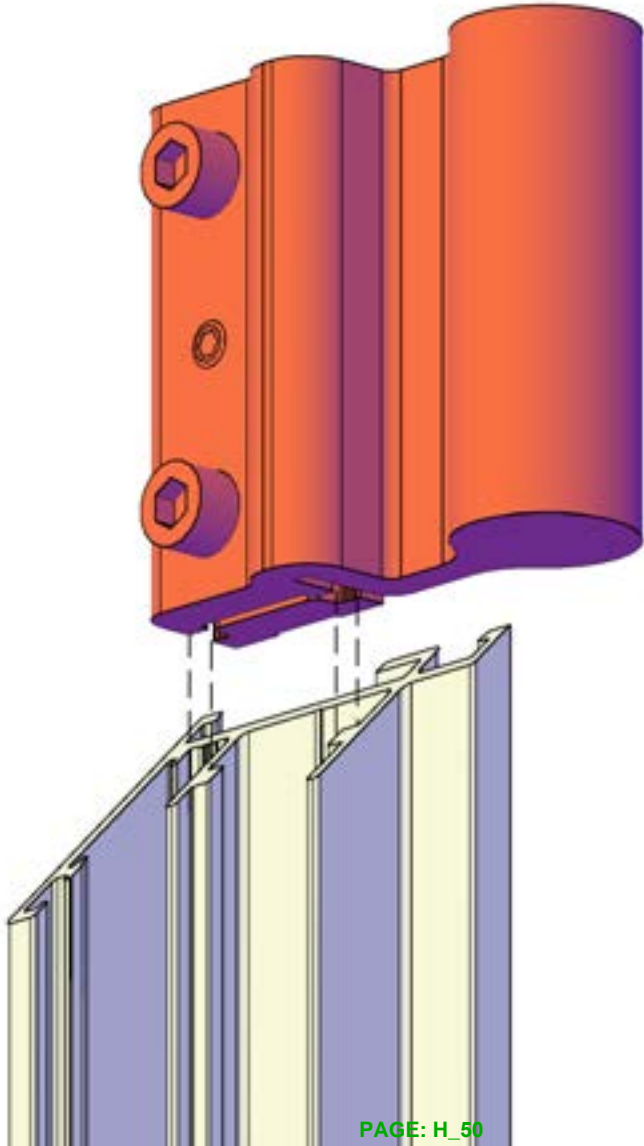
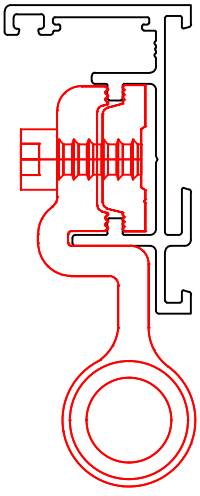
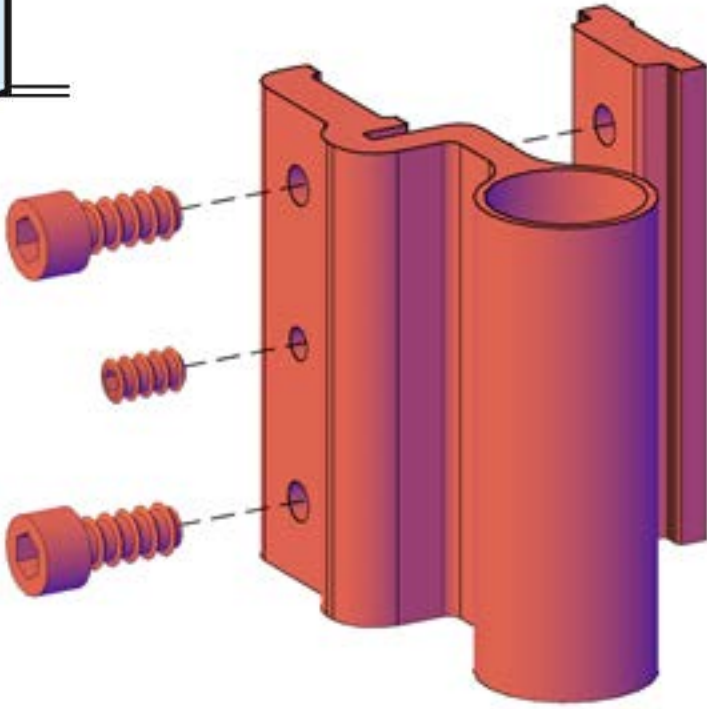
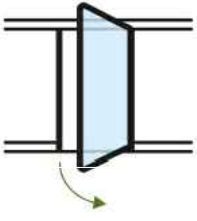


RUBBER PRO1748

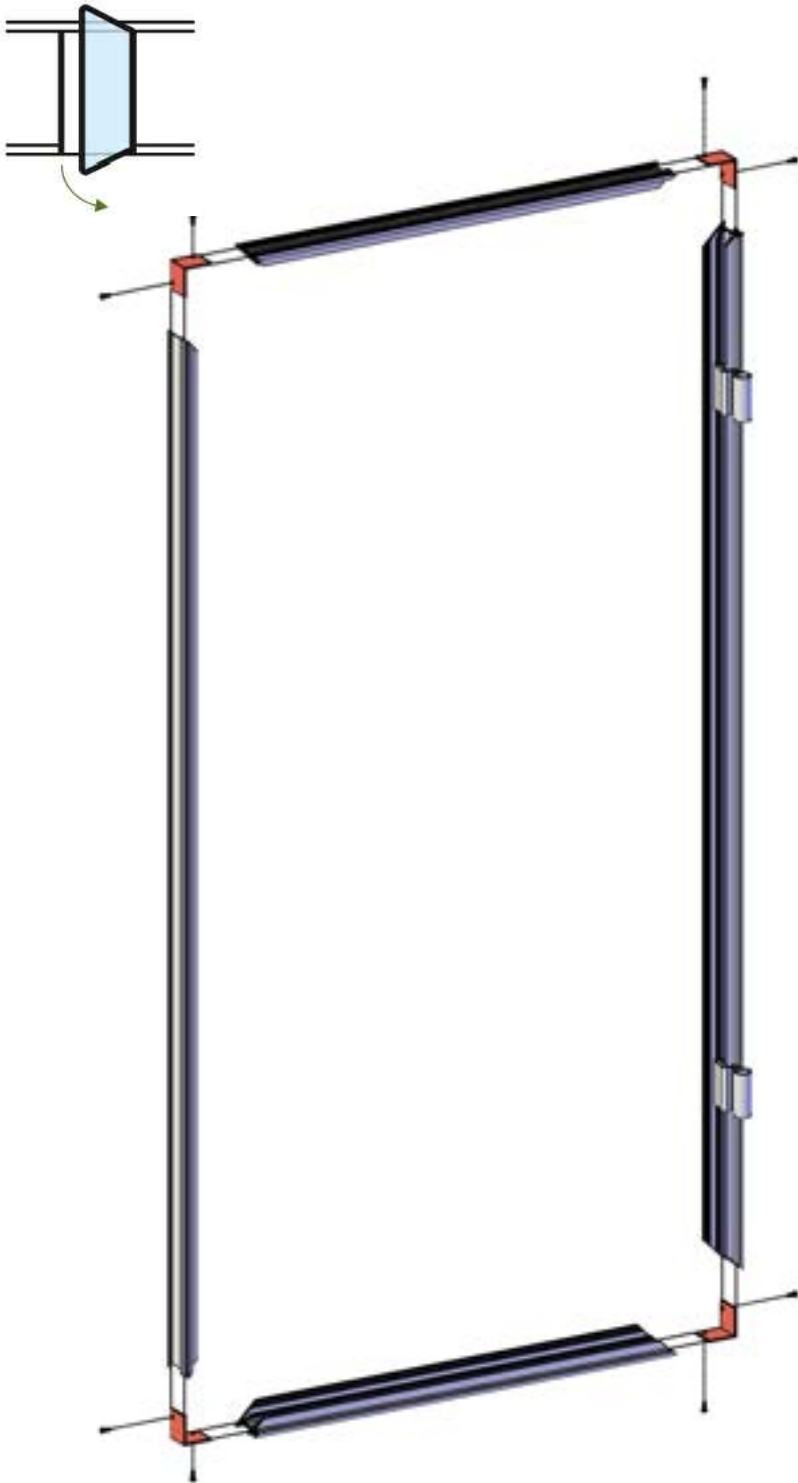






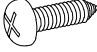
# Option: Hinged Door

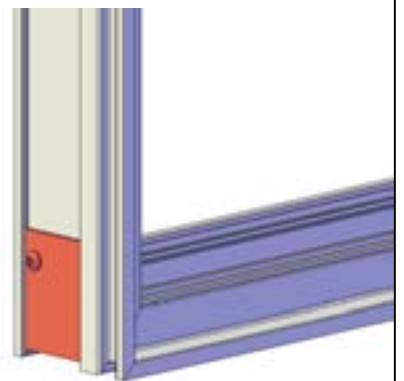
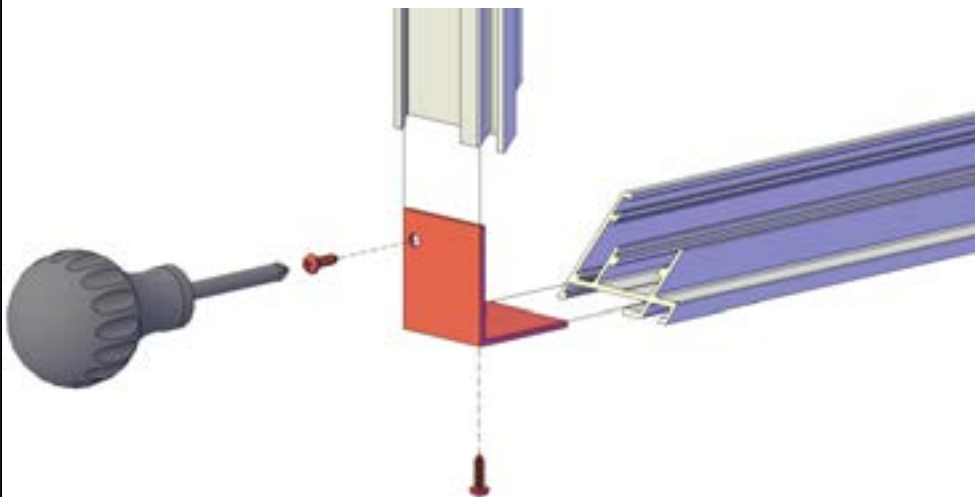
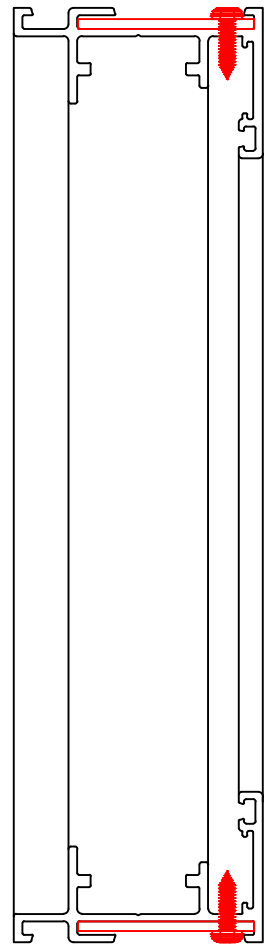
IMPORTANT: Find Janssens Accessory installation video on our site here: <https://www.exaco.com/greenhouse-victorian.php>



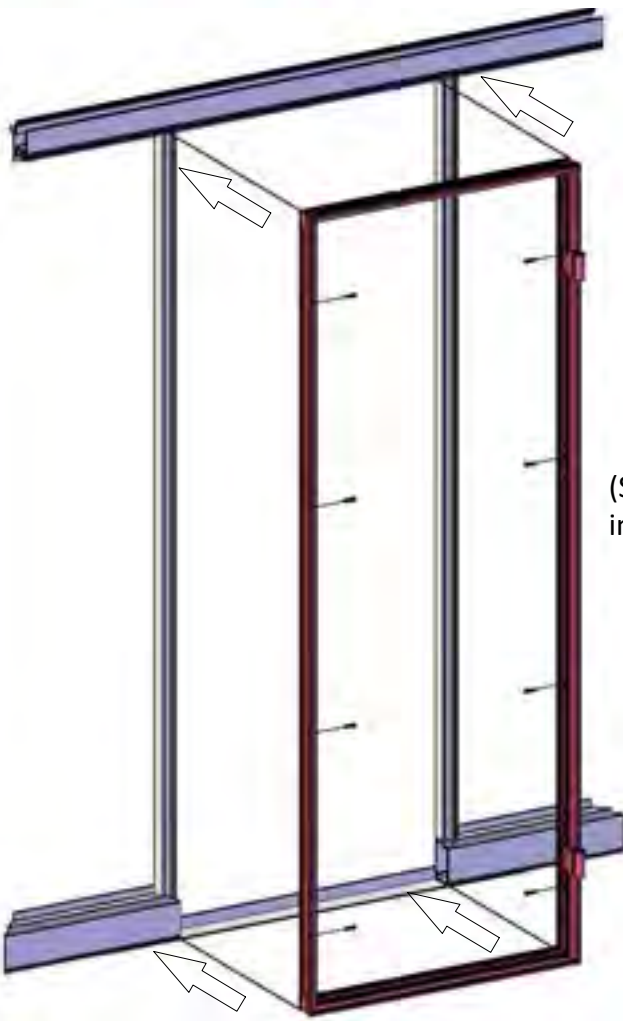
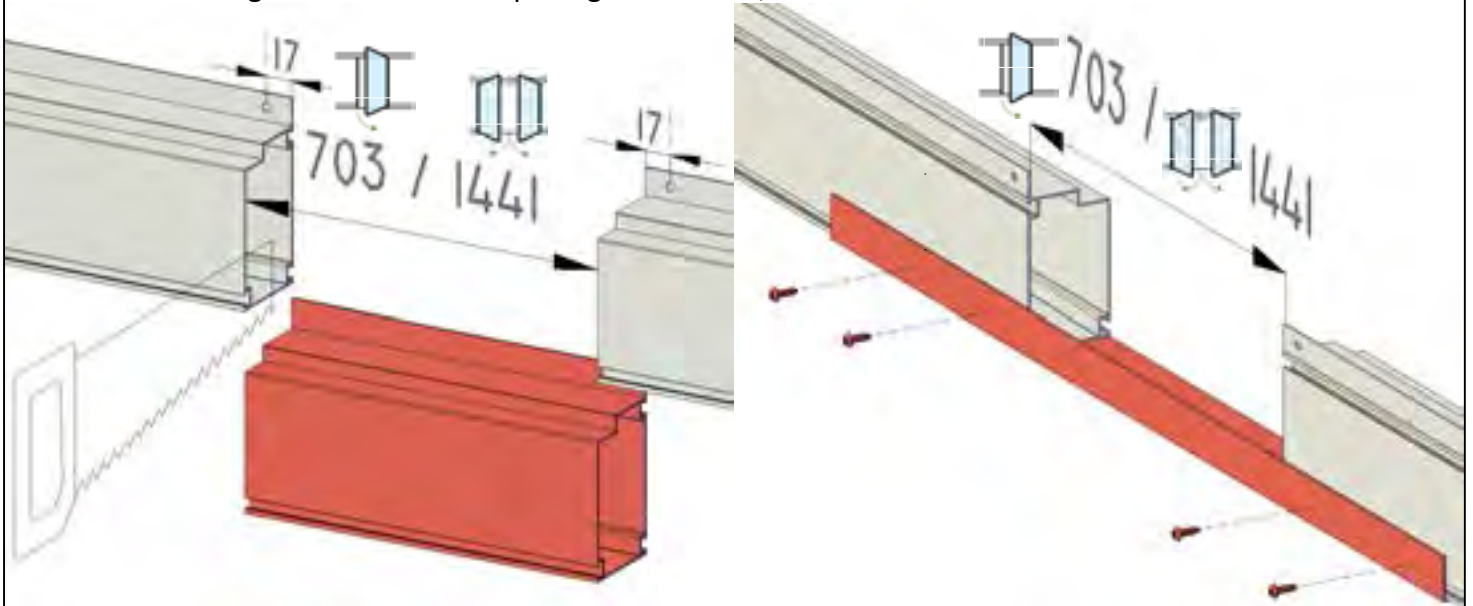




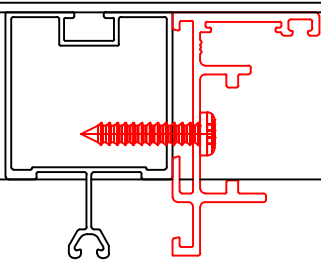
	ITEM	PC.	L
	L 40X40	4 PC	36 MM
	PRO6280	2 PC	703 MM
	PRO6280	2 PC	1.441 MM
	PRO6280	2 PC	1.930 MM
	4,2 x 13	8 PC	



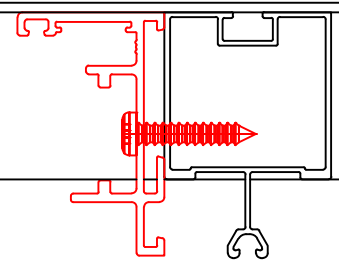
Double Hinged door will need opening of 1441mm, 17mm from bolt holes on foundation frame.



(Single door shown, double door jamb installation will be identical)



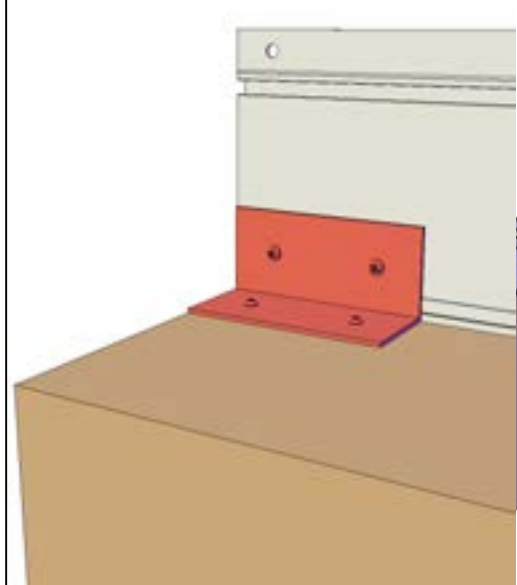
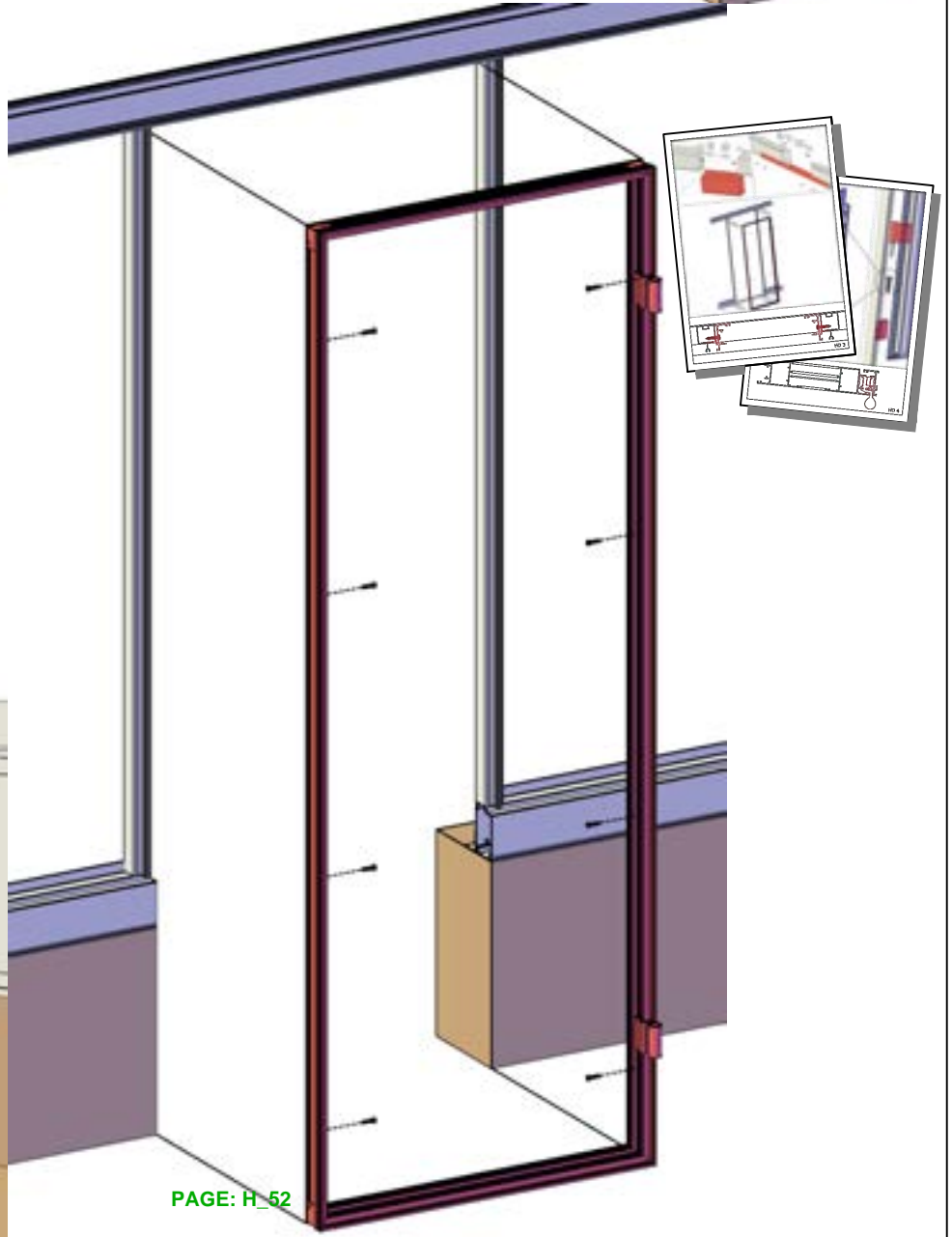
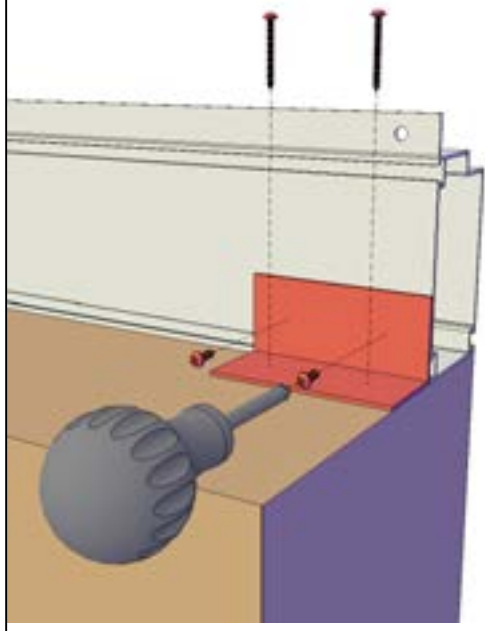
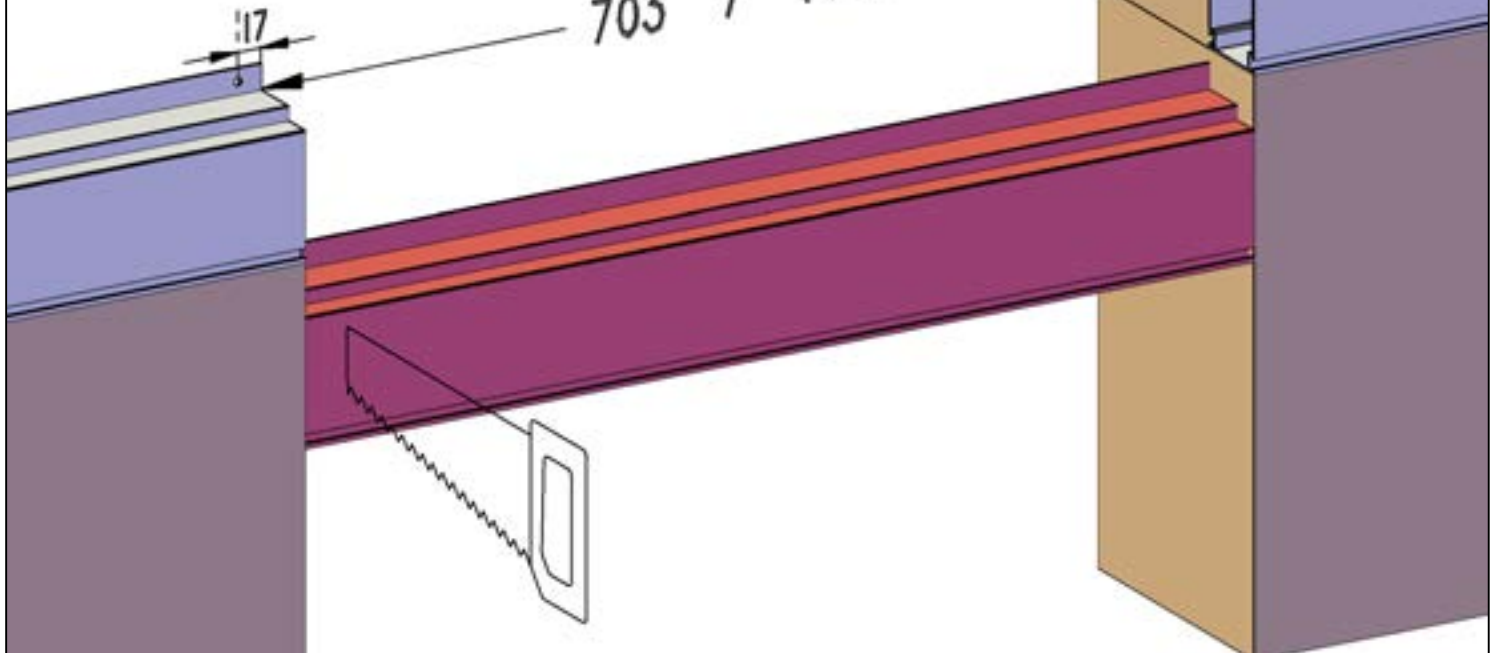
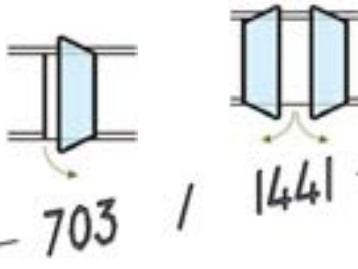
(view from top)

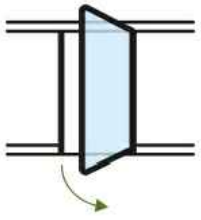


HD 3

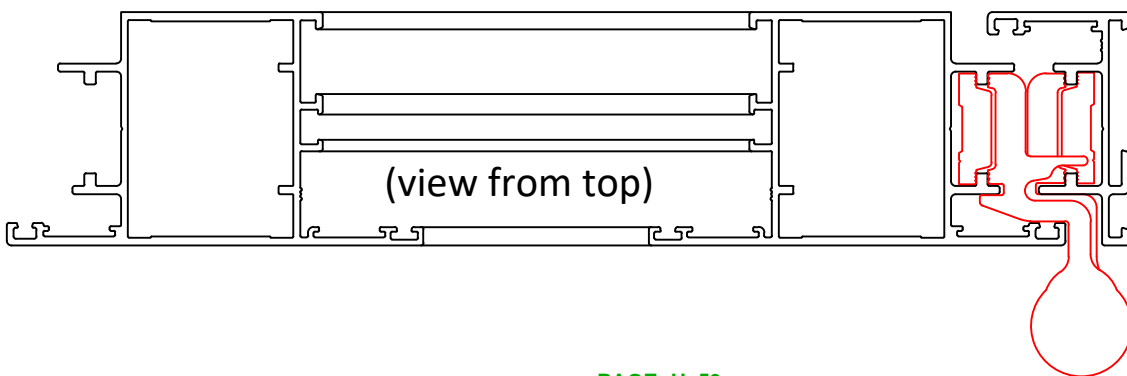
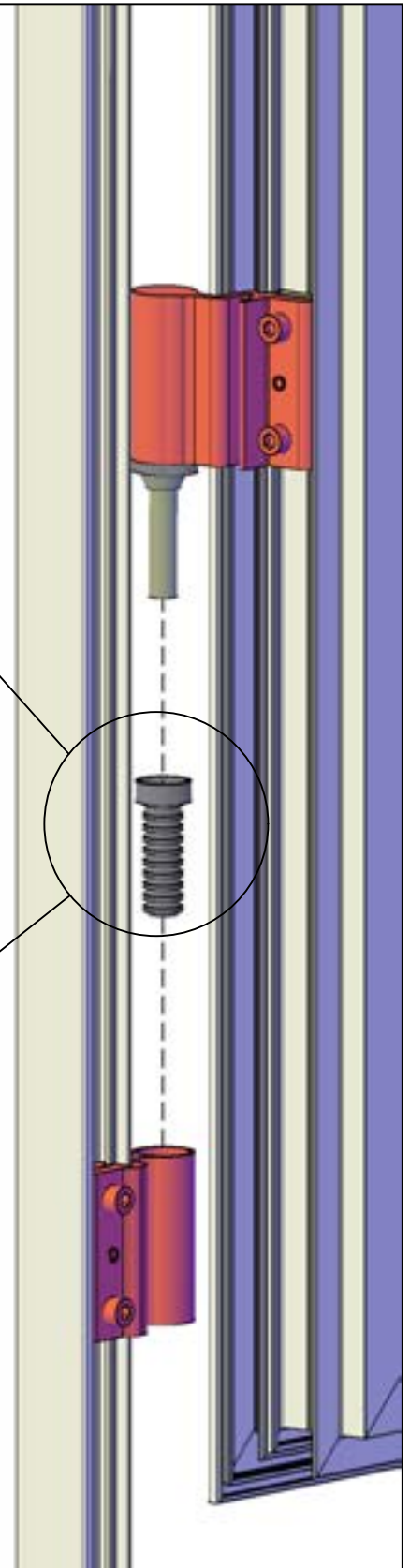
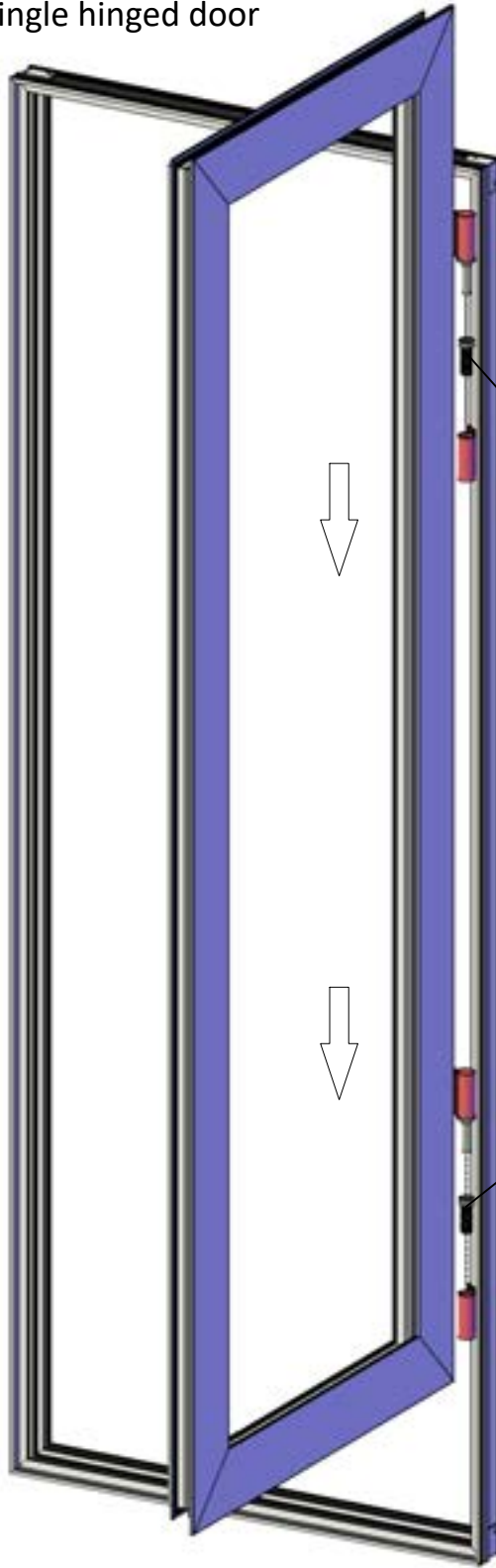
OPTION:

Hinged door on a stem wall (door extension kit will be needed)



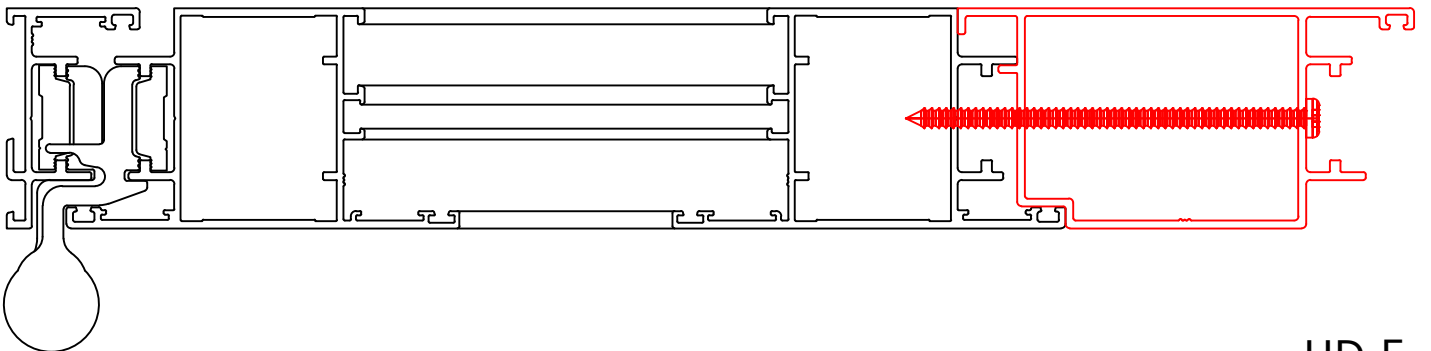
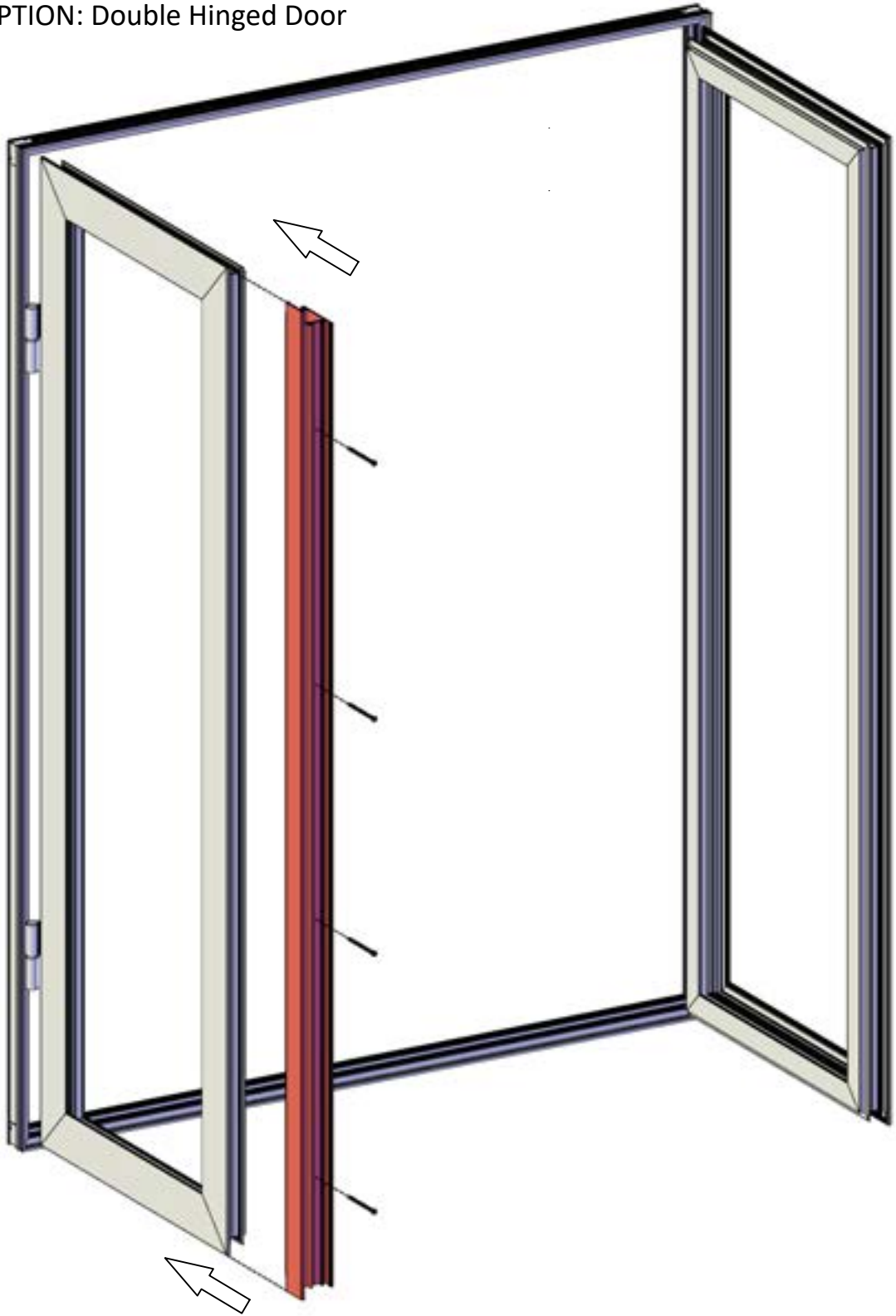


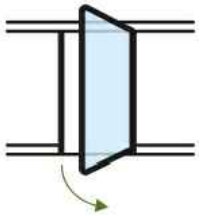
Single hinged door





OPTION: Double Hinged Door



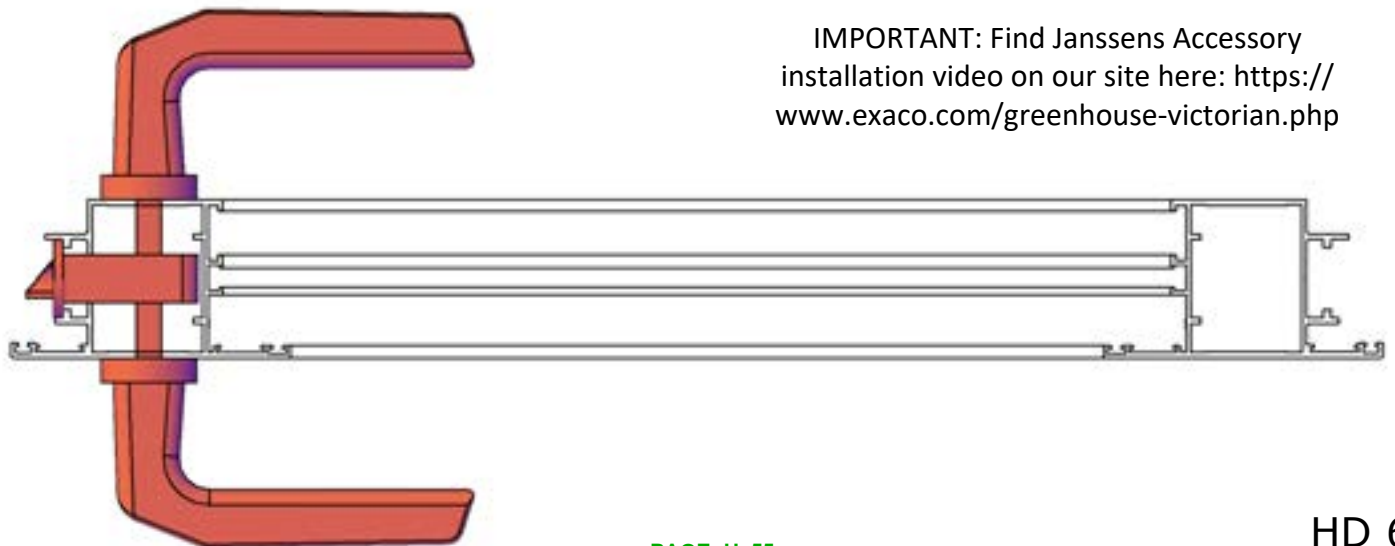
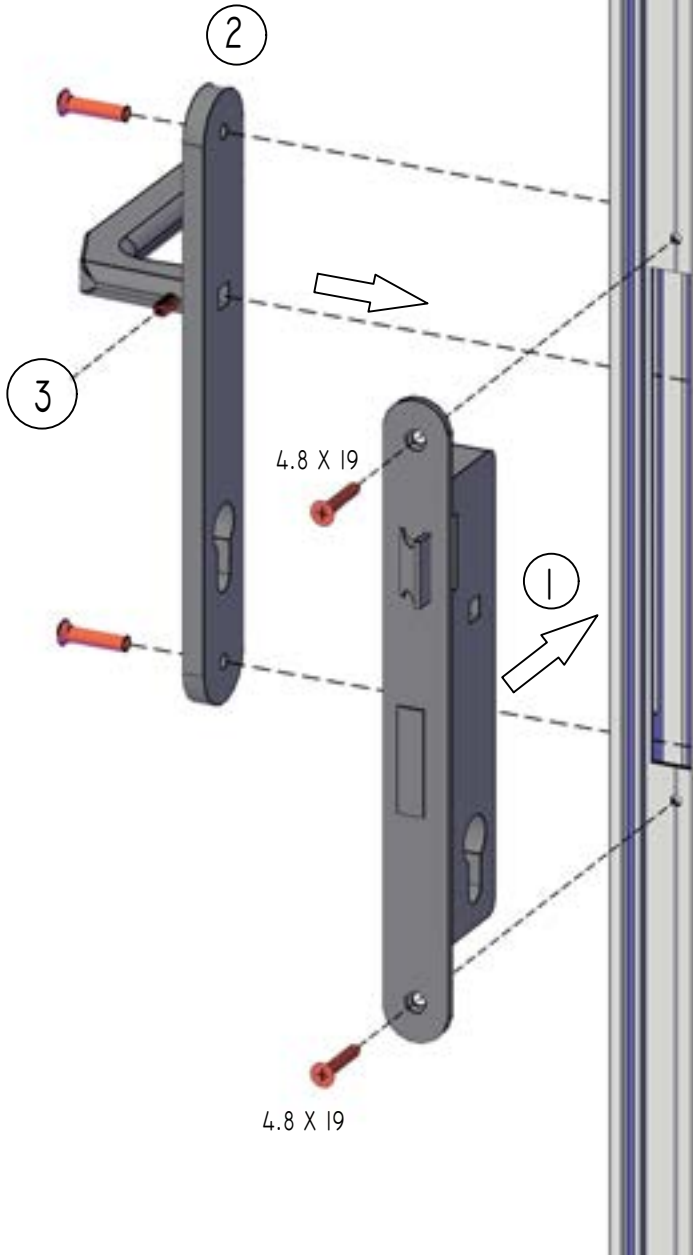


Step 1: Insert large rectangular cartridge into side cutout of door and attach with 2 screws.

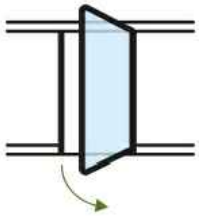
Step 2: Insert center square rod and attach handles - with 2 extra long screws and threaded caps.

Step 3: Tighten set screw in handle - note that square rod must be equidistant from each handle.

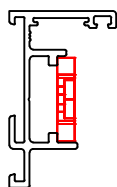
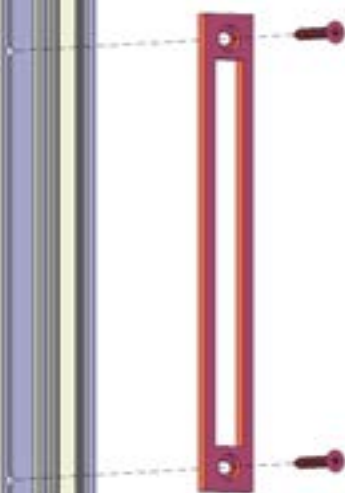
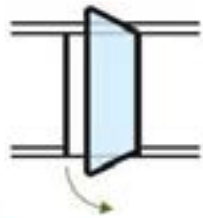
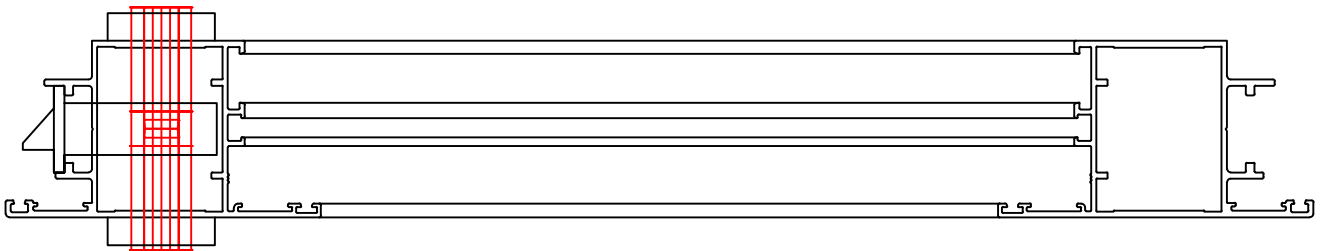
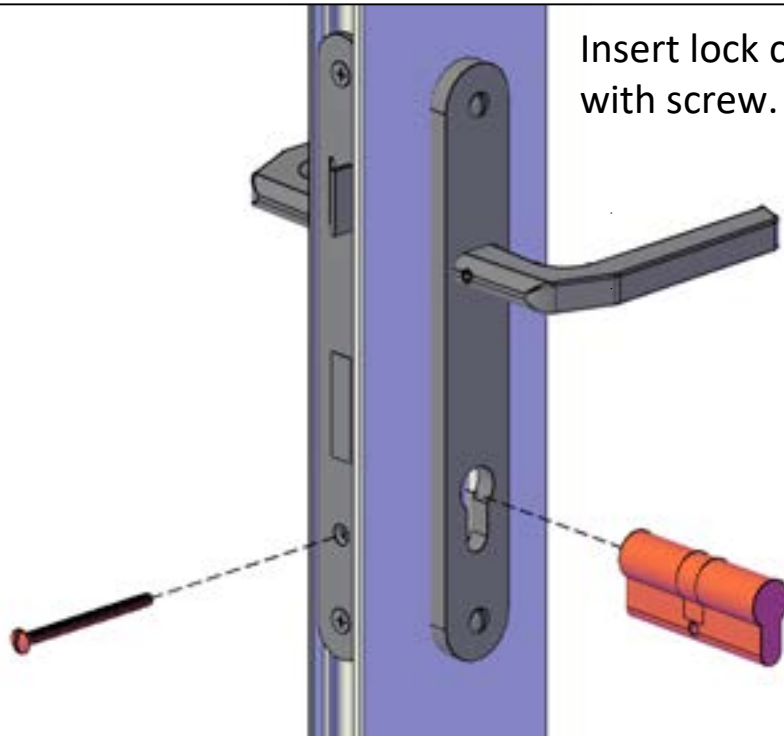
Step 4: Slide face plates onto door handles and snap in place.



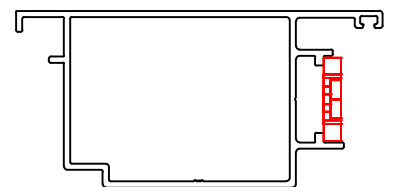
**IMPORTANT:** Find Janssens Accessory installation video on our site here: <https://www.exaco.com/greenhouse-victorian.php>

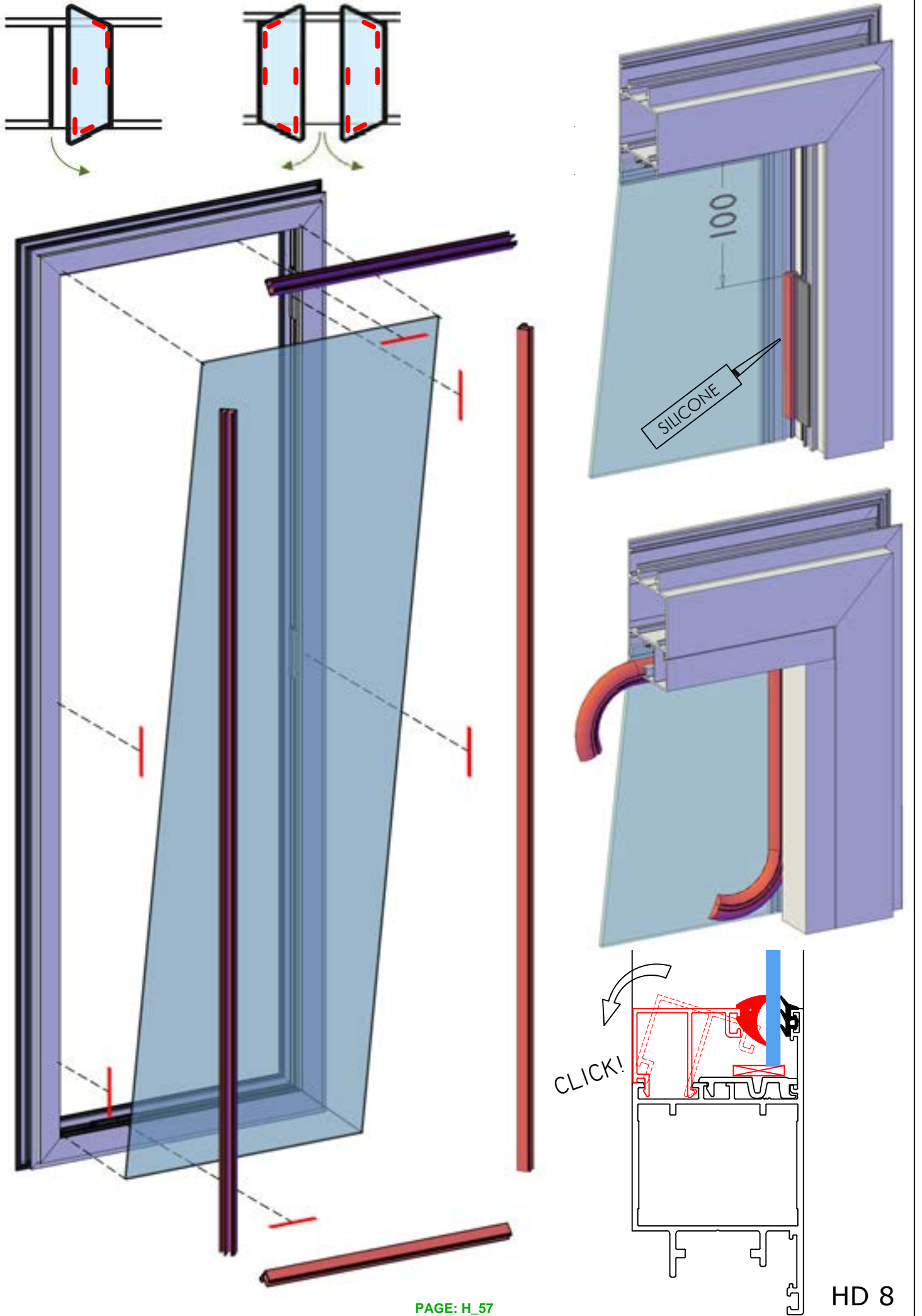


Insert lock cartridge and secure with screw.

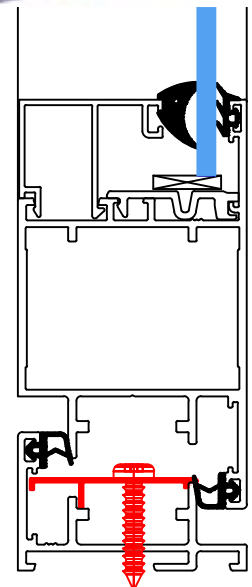
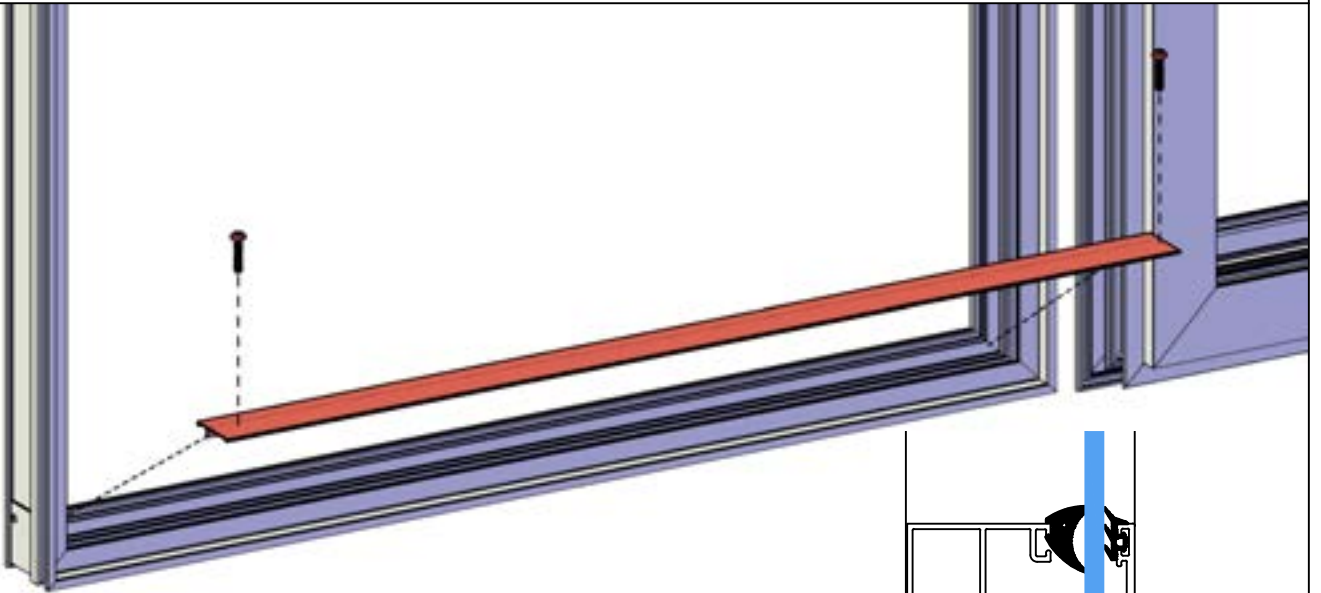
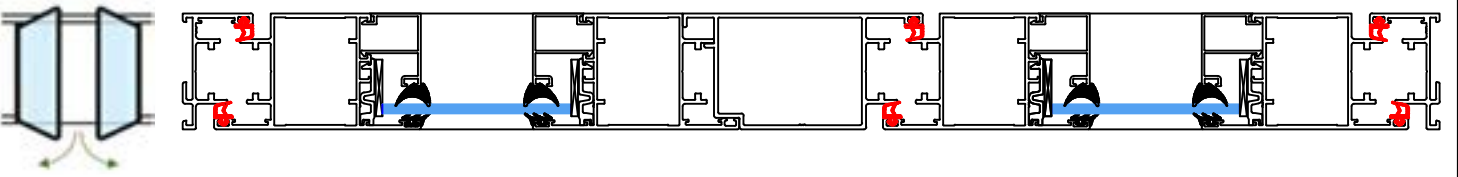
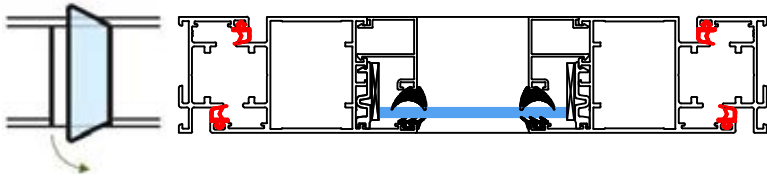
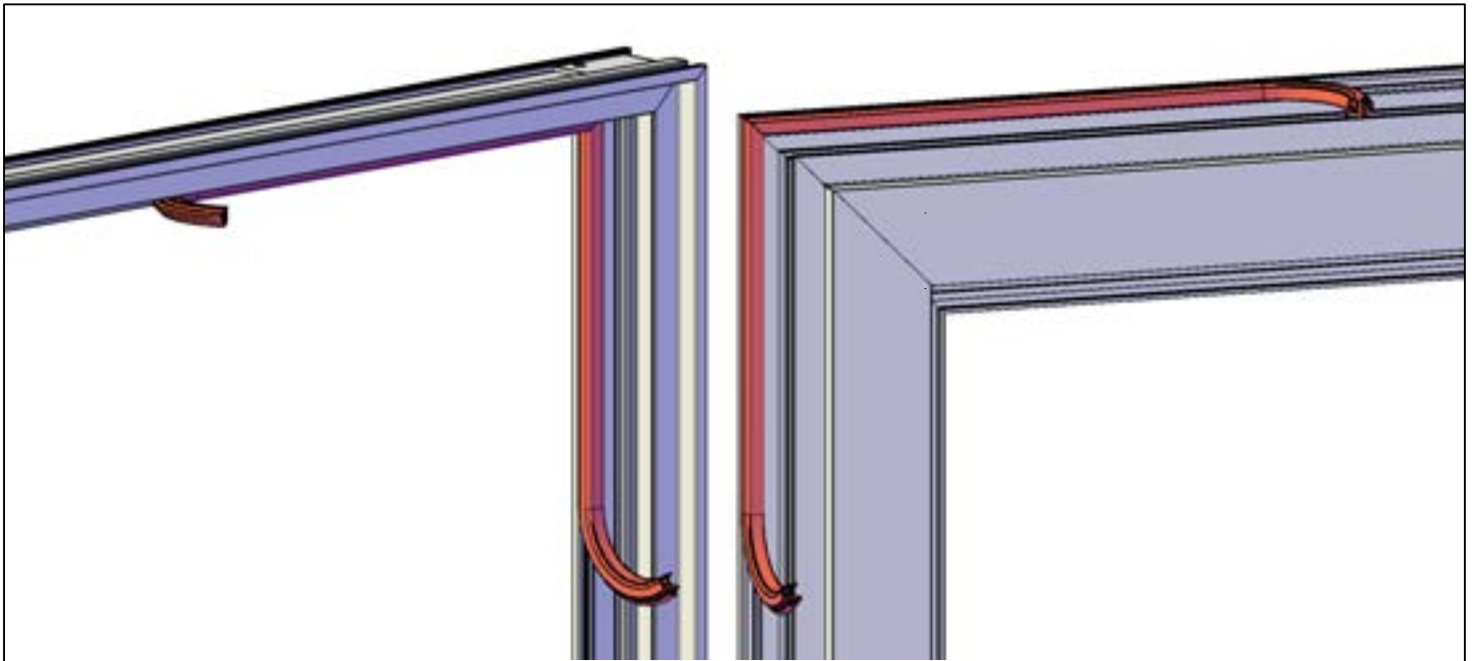


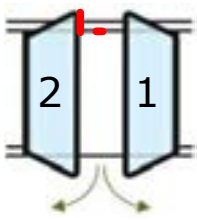
Attach latch catch plate to second door.



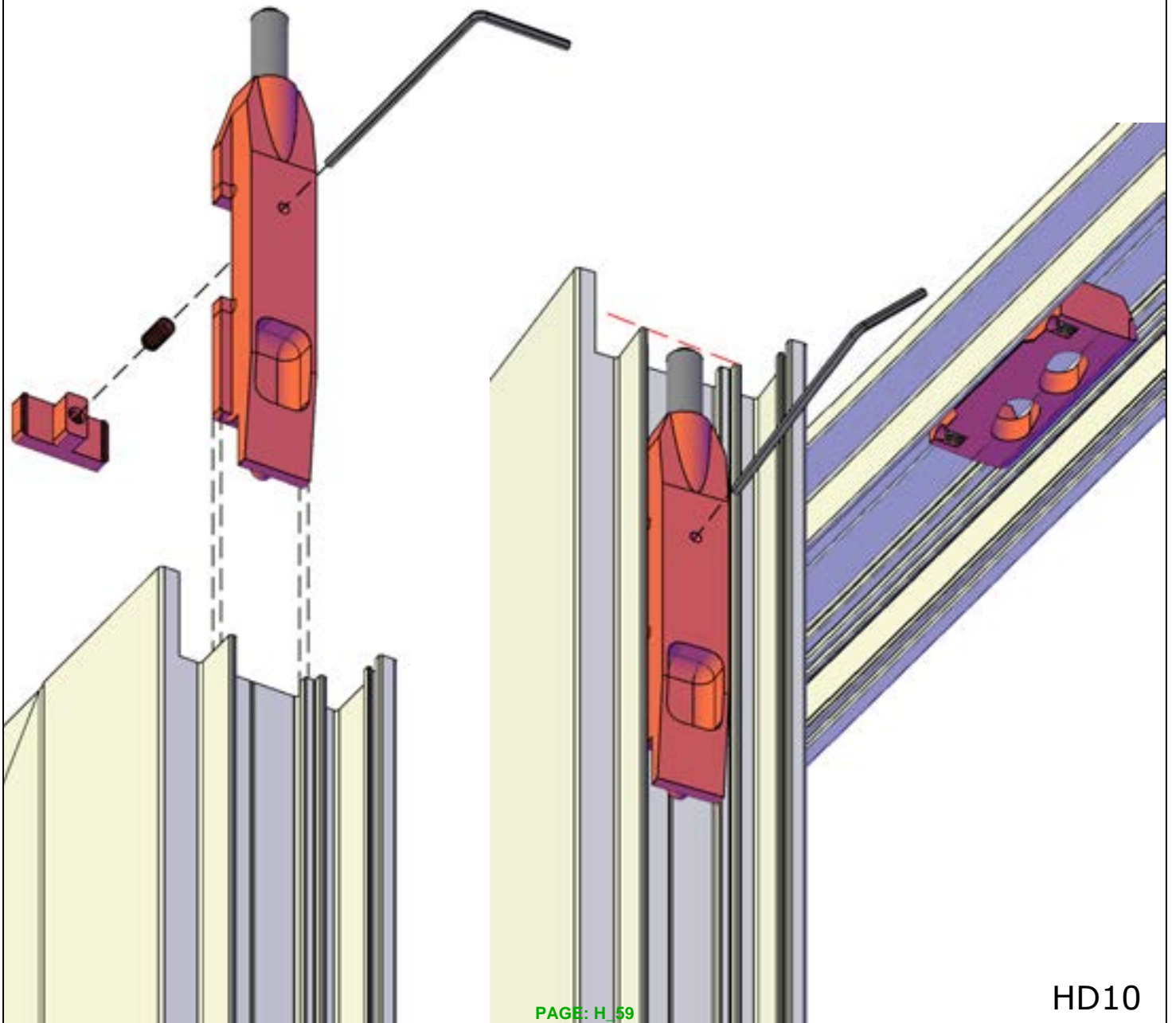
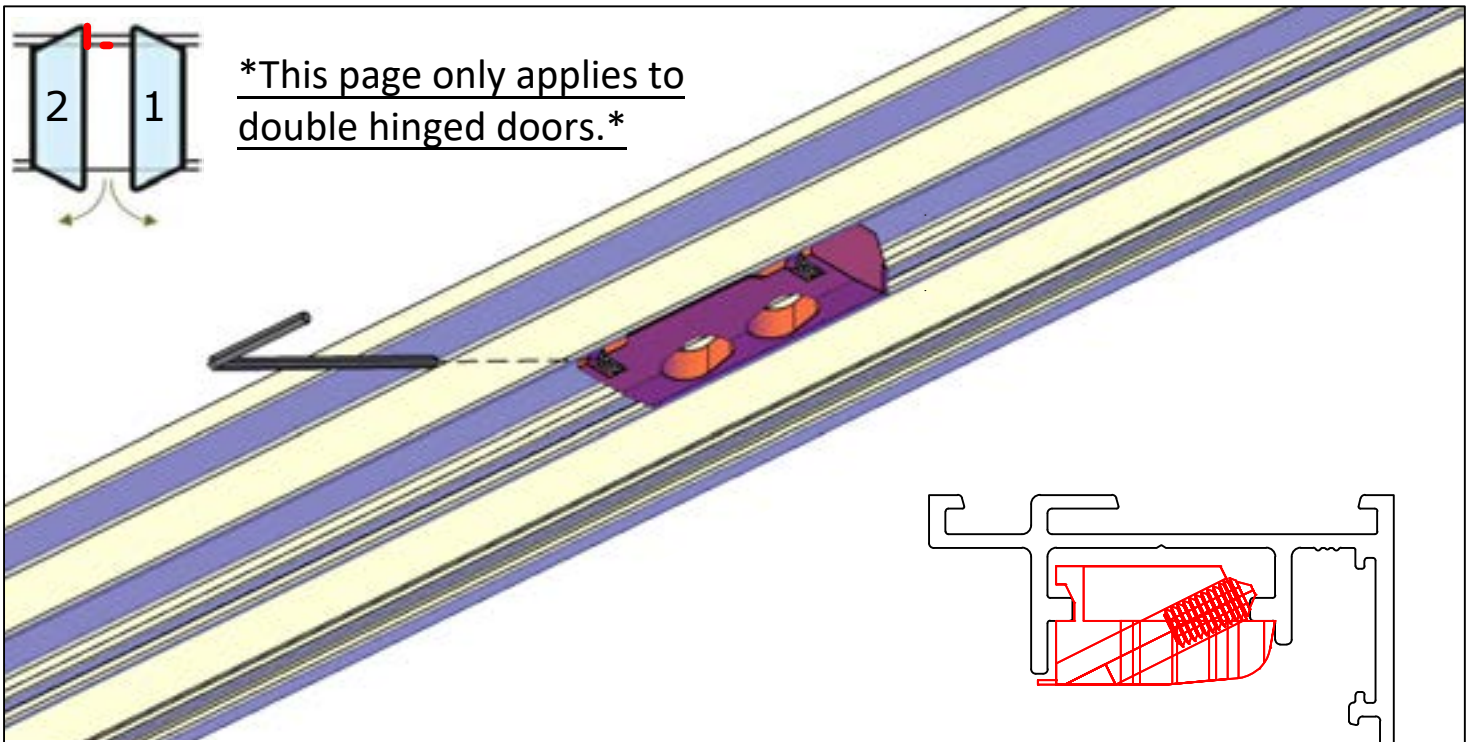






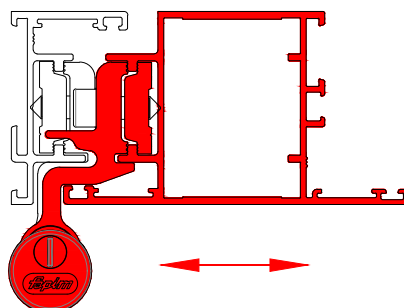
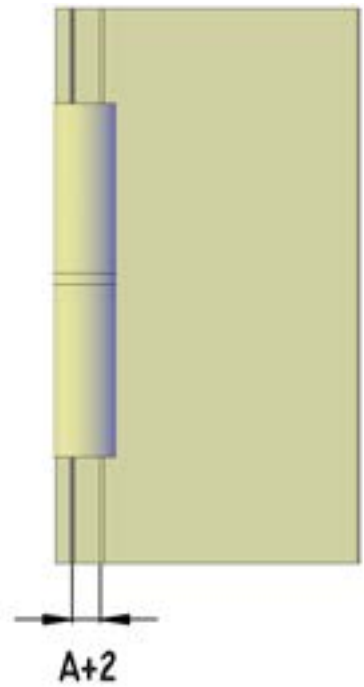
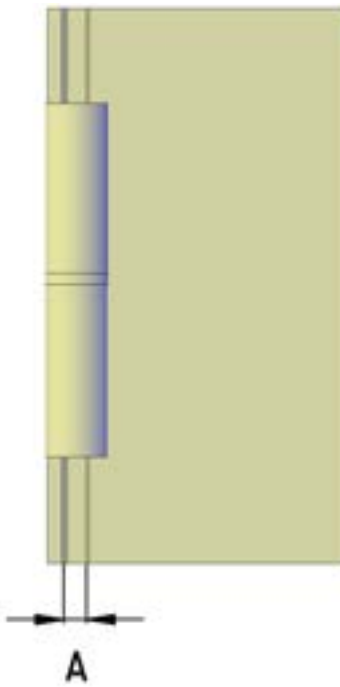
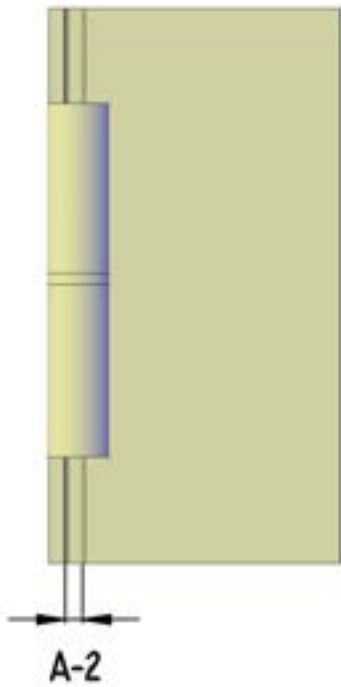
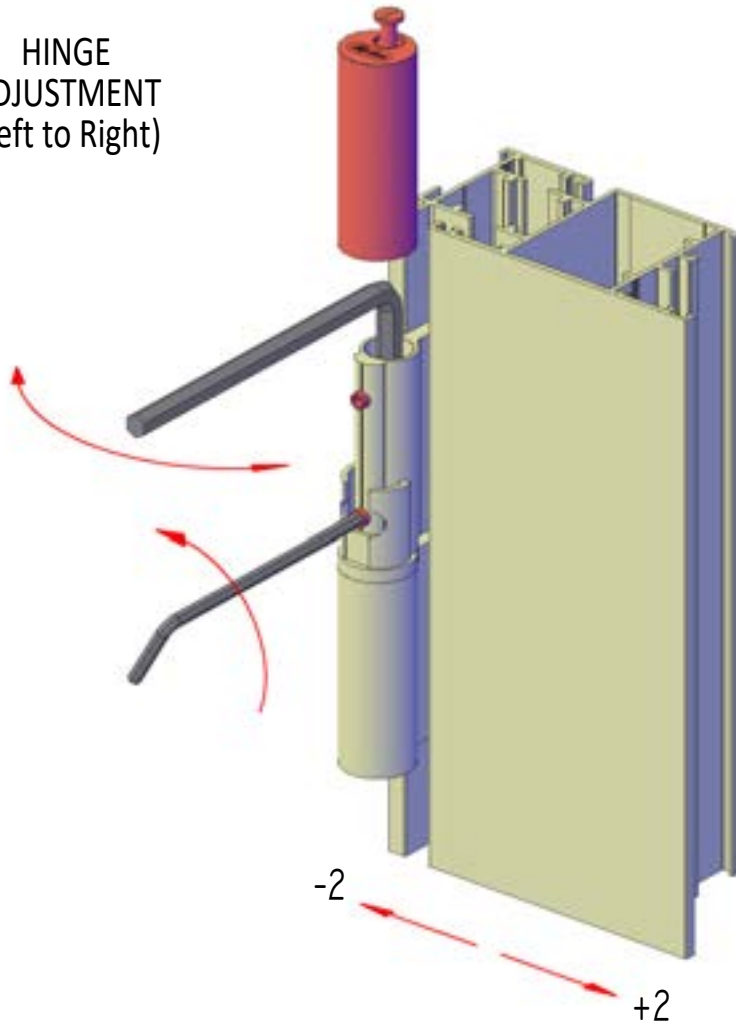


\*This page only applies to double hinged doors.\*



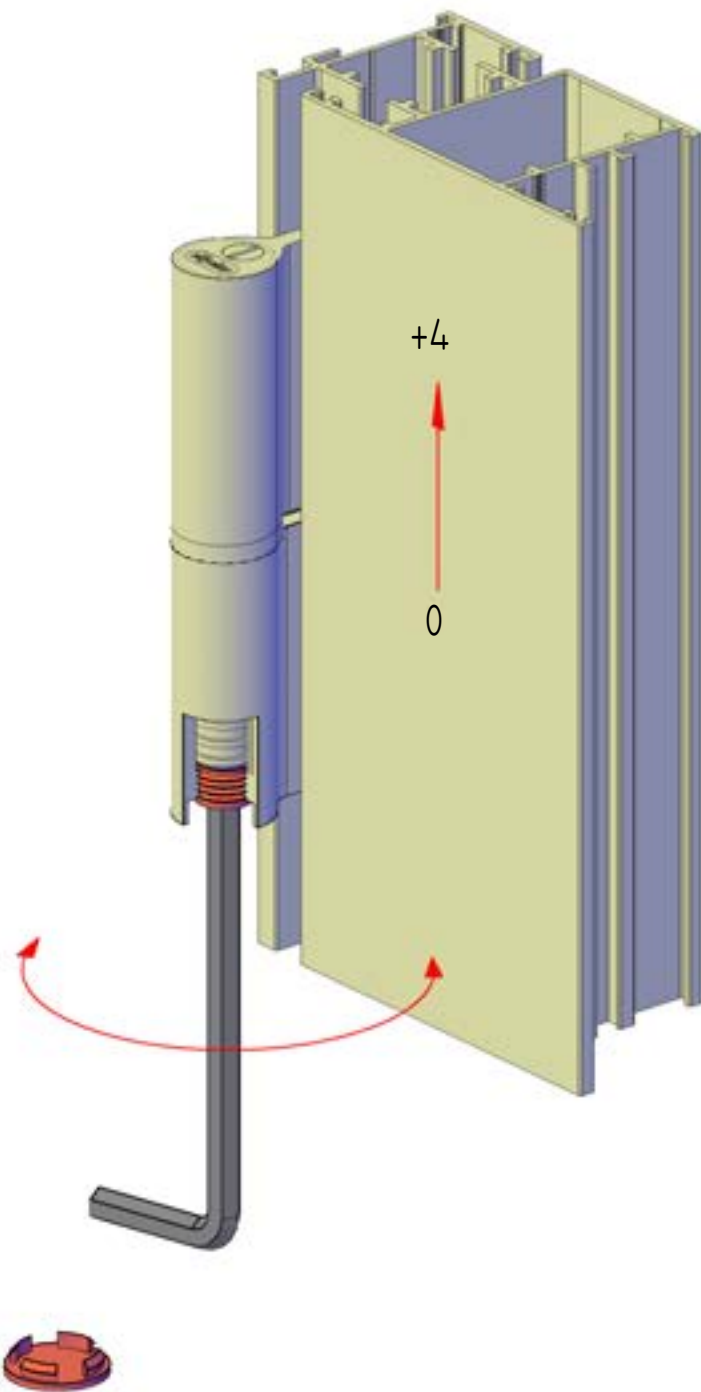


HINGE  
ADJUSTMENT  
(Left to Right)

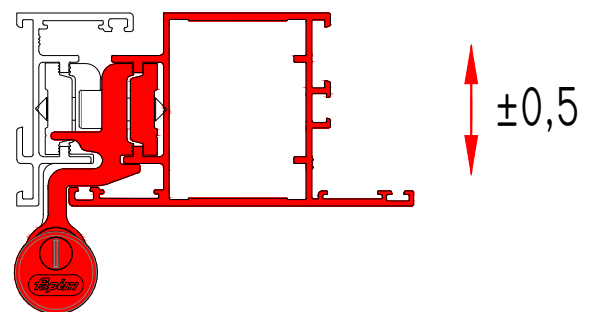
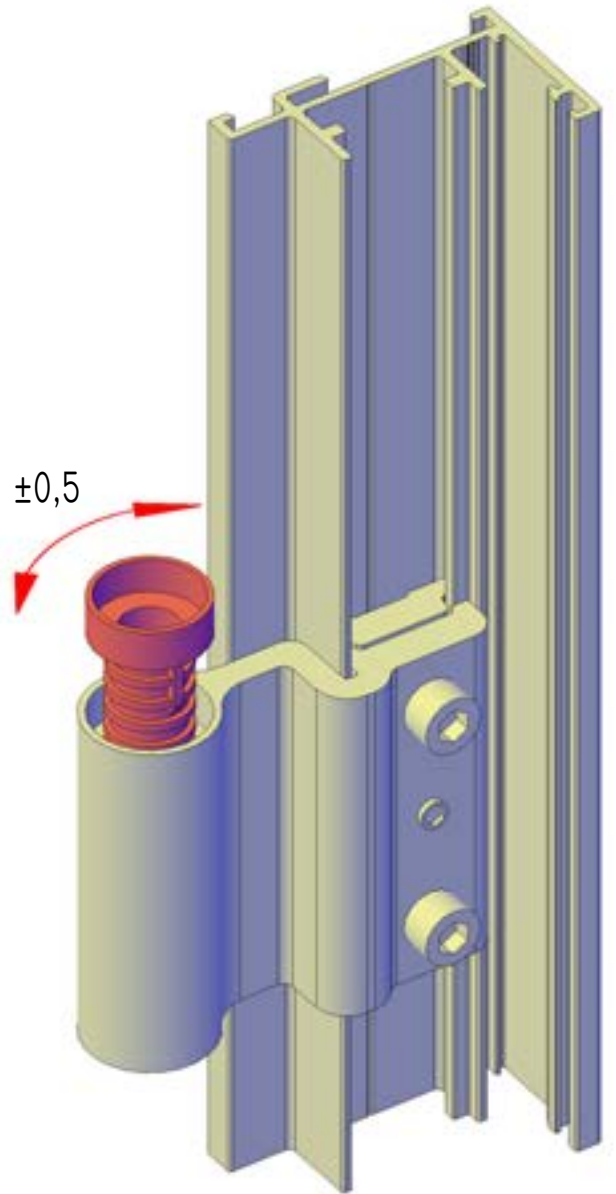




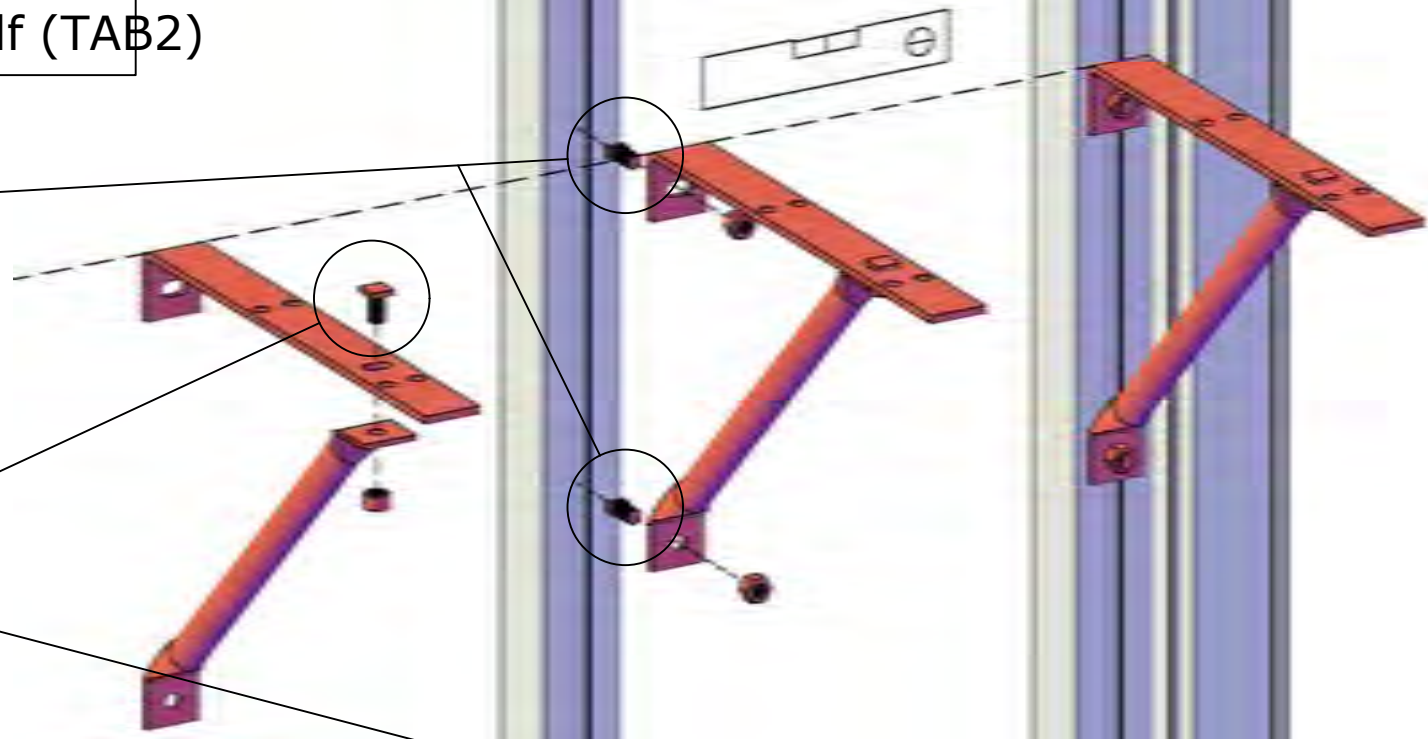
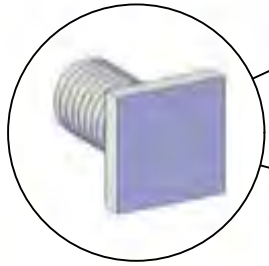
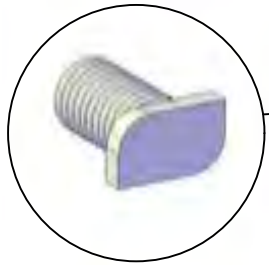
HINGE  
ADJUSTMENT  
(Up)



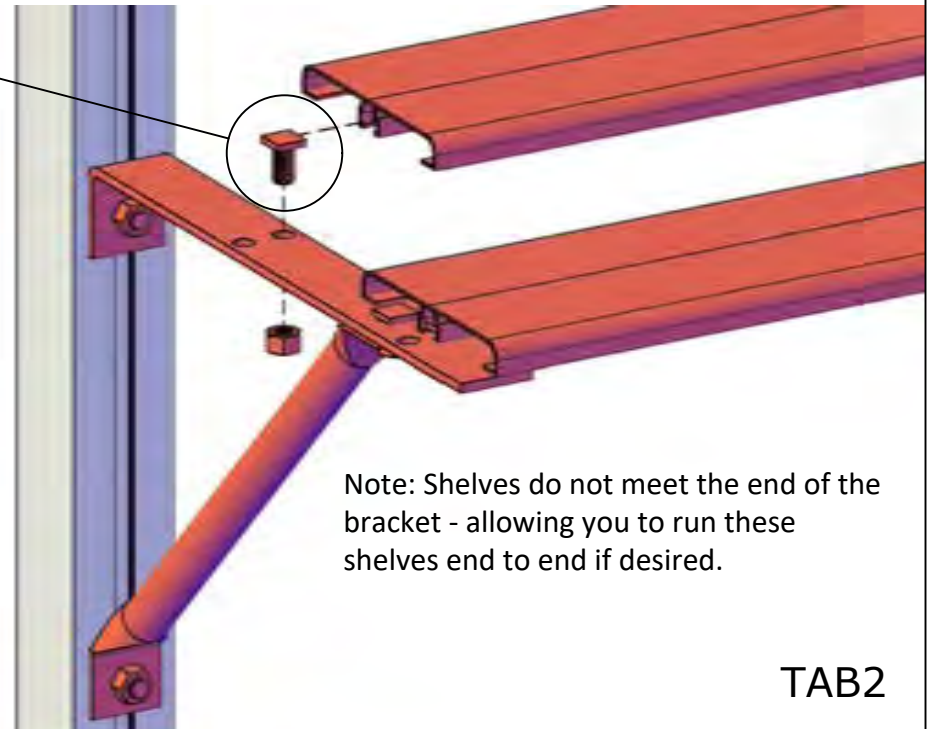
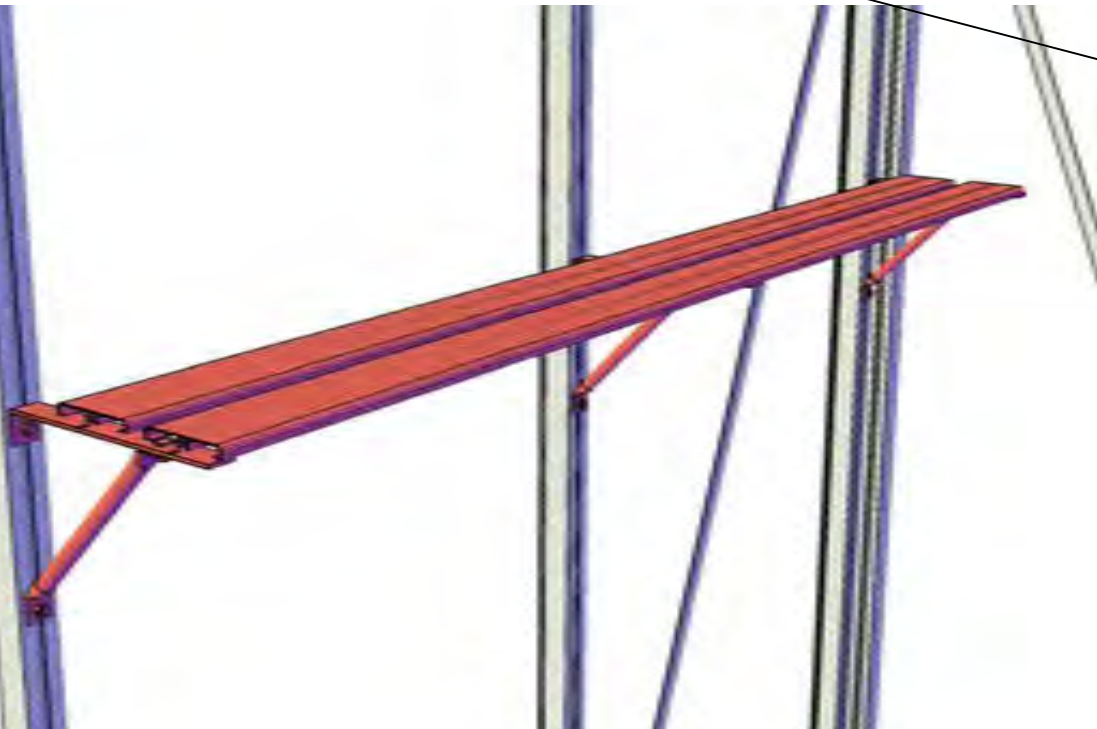
HINGE  
ADJUSTMENT  
(Front/Back)



# OPTION: 2 Slat Shelf (TAB2)



77

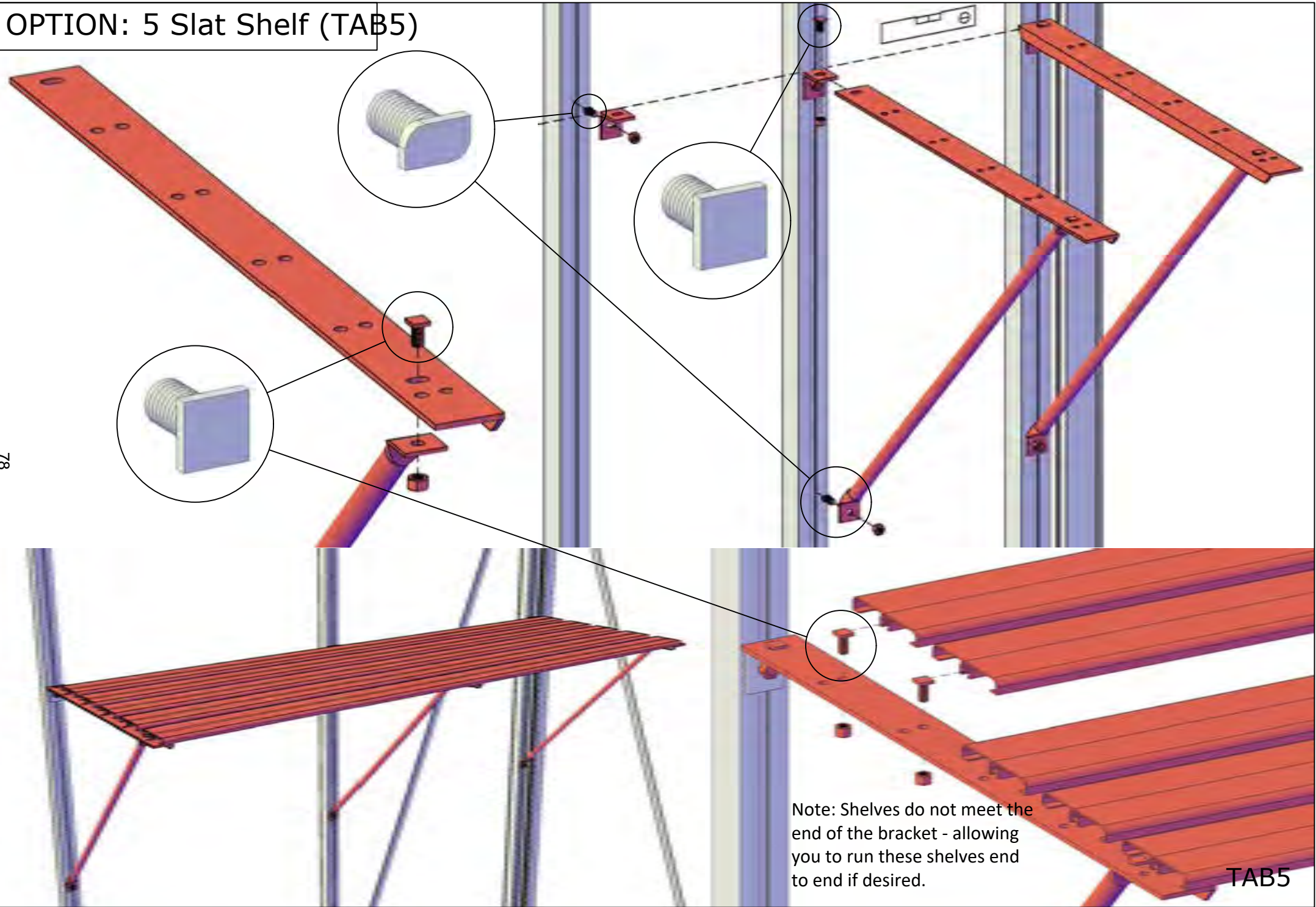


Note: Shelves do not meet the end of the bracket - allowing you to run these shelves end to end if desired.

TAB2

# OPTION: 5 Slat Shelf (TAB5)

78

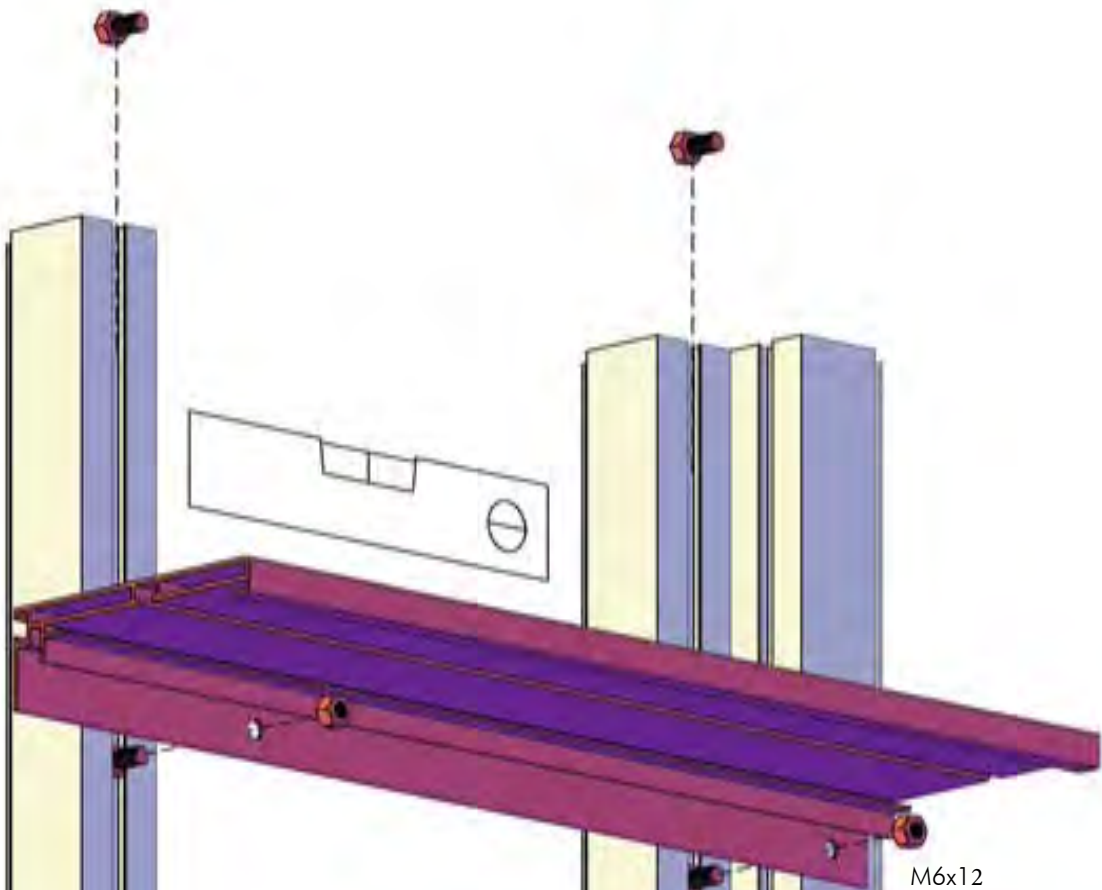


Note: Shelves do not meet the end of the bracket - allowing you to run these shelves end to end if desired.

TAB5

# OPTION: Narrow Top Shelf

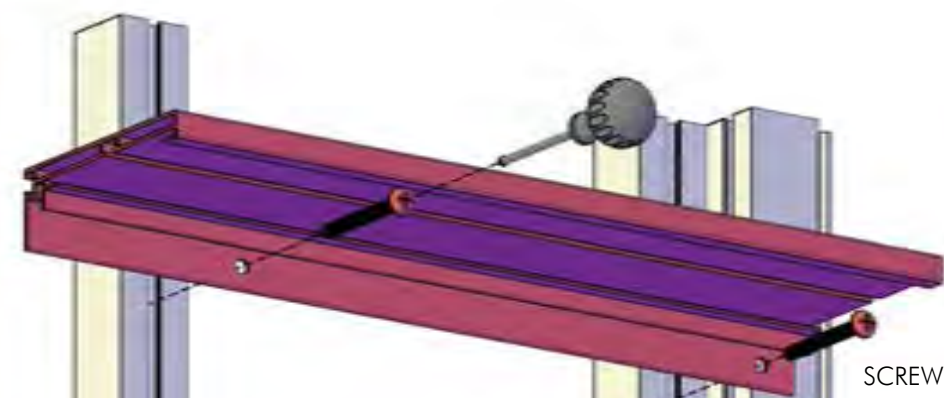
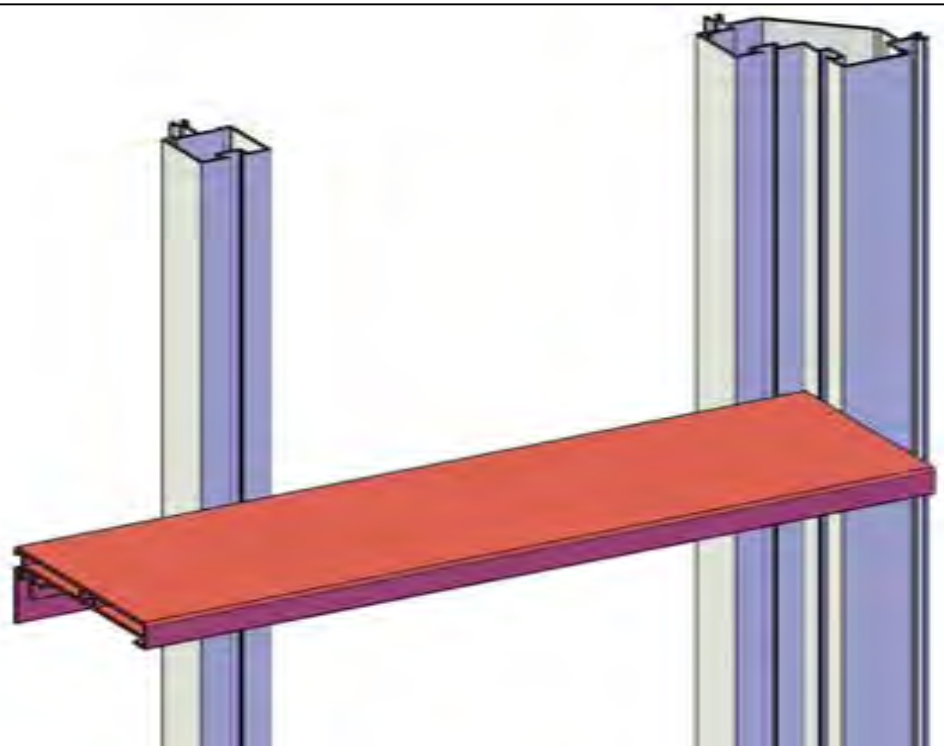
79



M6x12

## STANDARD

Insert bolts into channel of PRO1456 and secure with nuts.



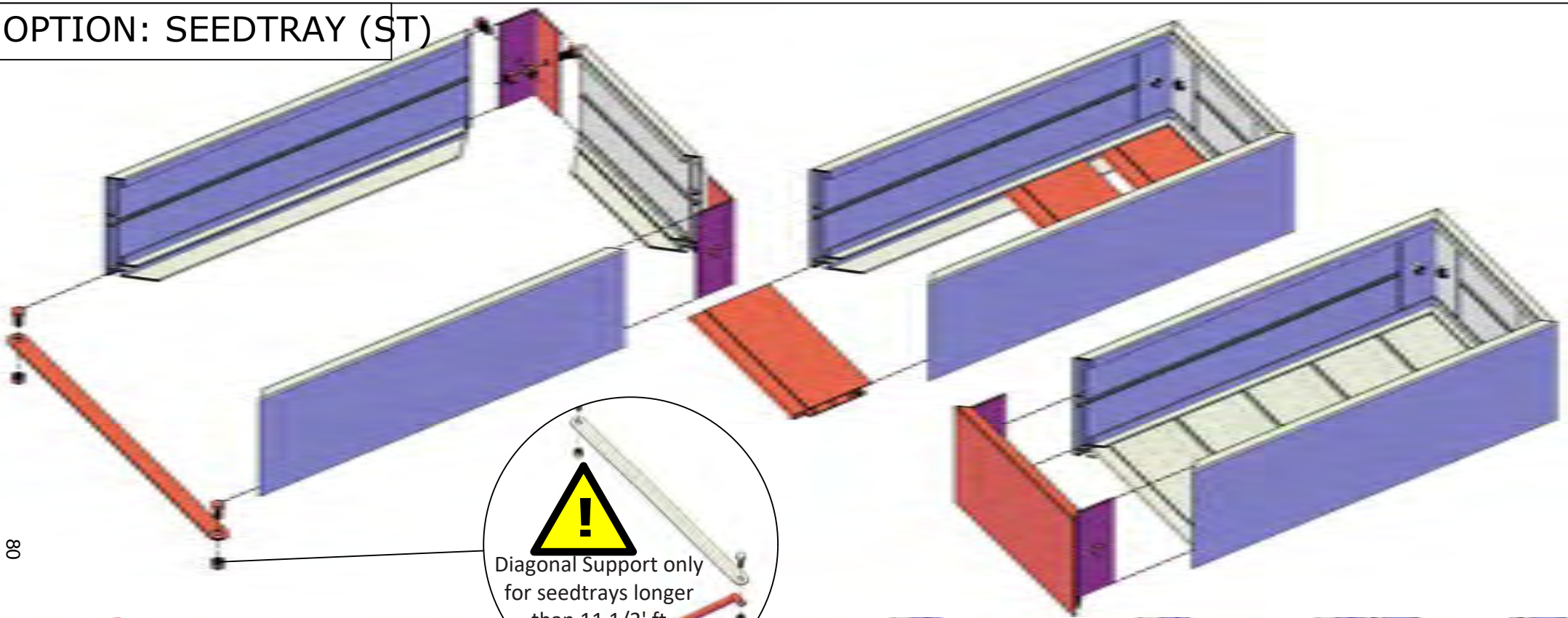
SCREW

## ALTERNATIVE

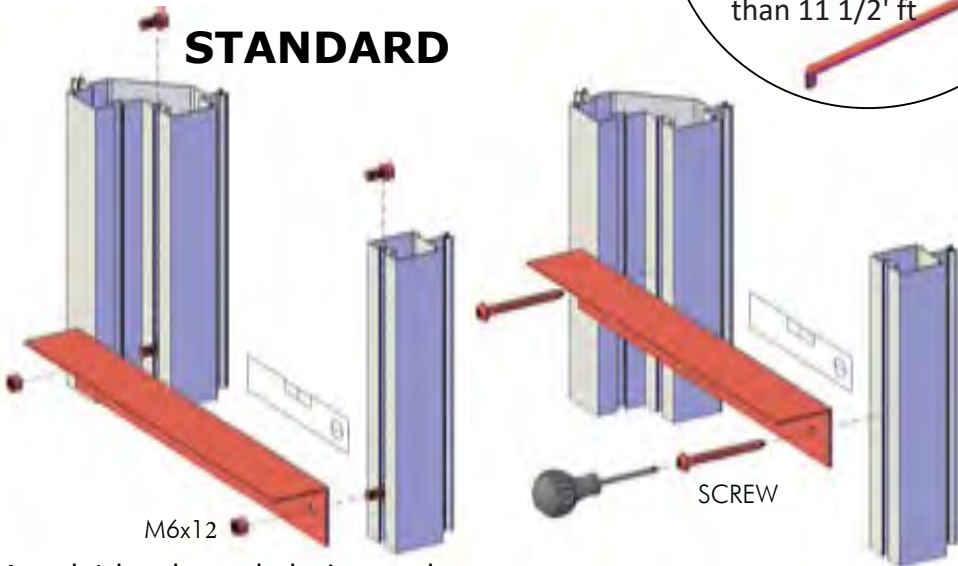
Drill screws into PRO 1456 to secure

SH

# OPTION: SEEDTRAY (ST)

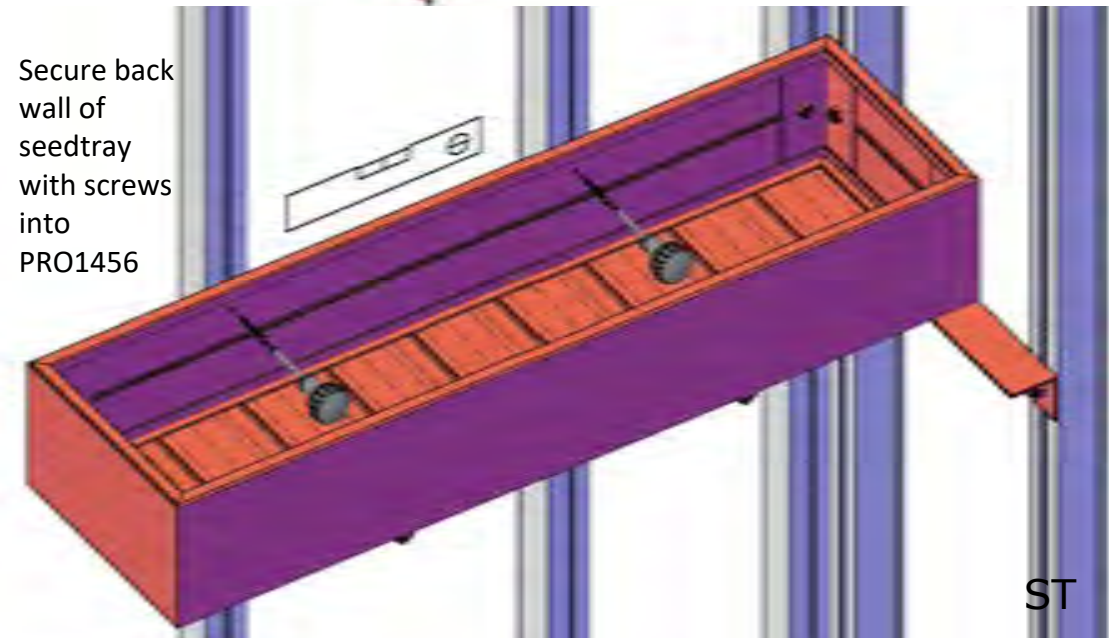


## STANDARD



Attach L bracket to bolts inserted into corner post and PRO1456

## ALTERNATIVE





## INSTALLING AN EXHAUST FAN IN A VICTORIAN GREENHOUSE

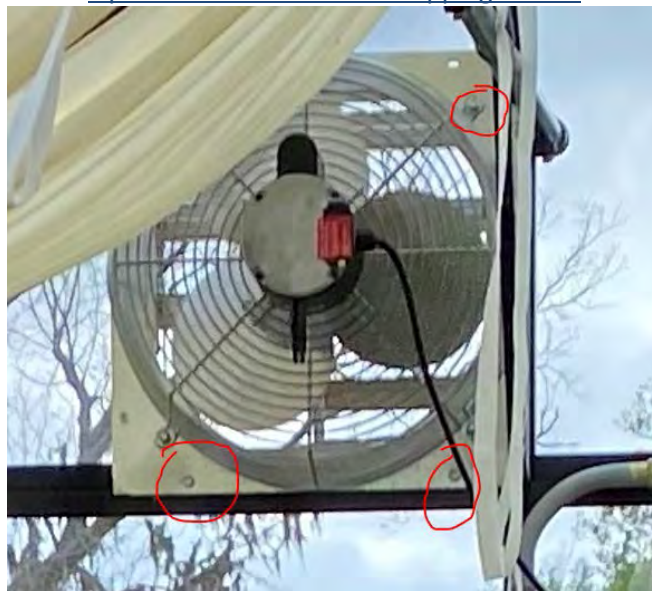
The exhaust fan in a Victorian Greenhouse should be installed up high in one of the gable ends of the greenhouse. If you happen to have polycarbonate walls on your Victorian, you may cut an opening in the polycarbonate to accommodate the fan. If you have glass glazing, we recommend replacing one of your upper angled gable panes with a piece of Lexan. We do offer a pre-cut panel for purchase that is cut with this unusual shape (with a square cut out) that will replace one of the gable panes of glass.

OPTION 1: Attach fan with bolts inserted into channel of PRO1456



Once your panel with the cutout for the fan is in place, mount the fan on the interior of the greenhouse using bolts in the channels of the aluminum extrusions. These bolts will fit through the holes on the exhaust fan. You may need to cut the corner off due to the diagonal support beam being in the way. Once the fan is mounted on two sides to the aluminum extrusions caulk around the area where the box of the shutters meets the glazing.

Option 2: Attach with self-tapping screws

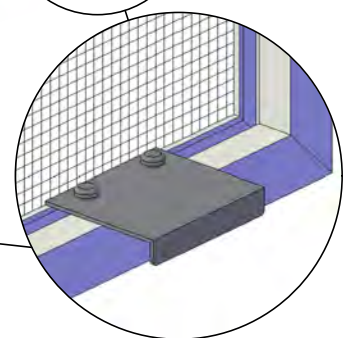
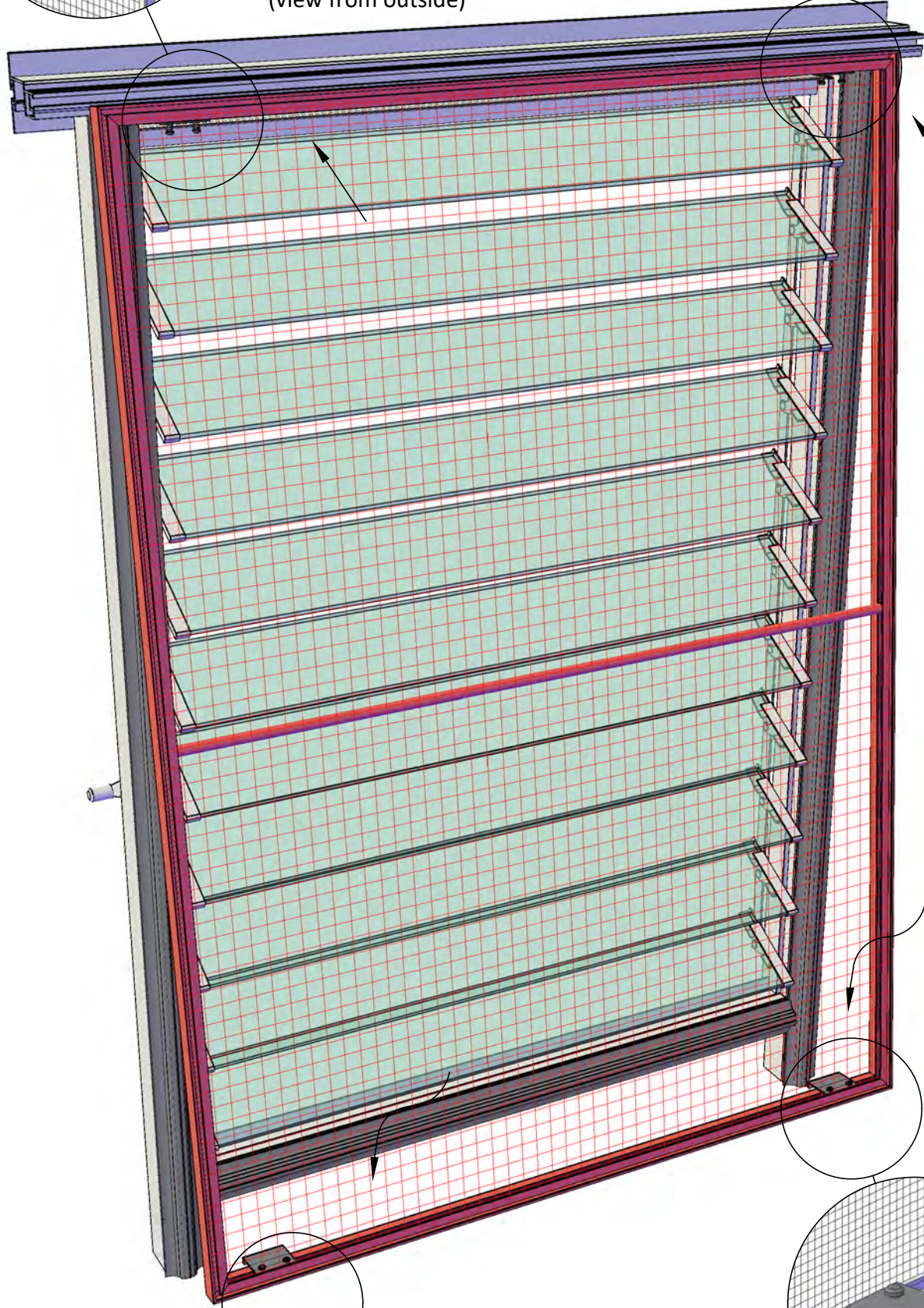
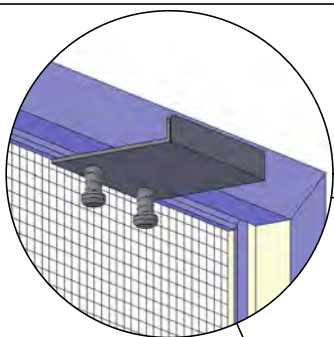


Conversely, you can use self-tapping screws to hold the Exhaust Fan in place. Pre-drill holes in the exhaust fan metal to match up with the Pro1456 Gable piece. You may need to cut the corner off due to the diagonal support beam being in the way. Once the fan is mounted on two sides to the aluminum extrusions caulk around the area where the box of the shutters meets the glazing.

OPTIONAL ACCESSORY:  
Louvre Window Fly Screen

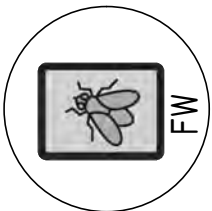
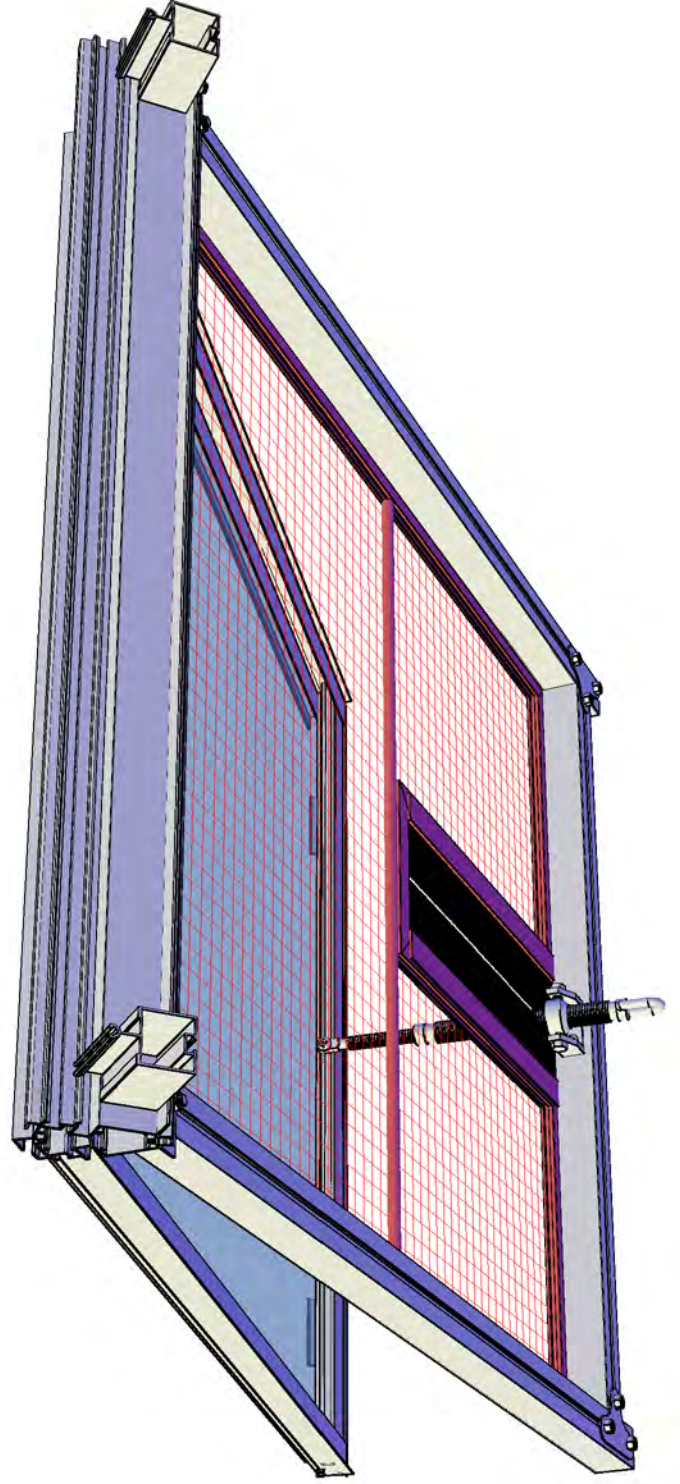
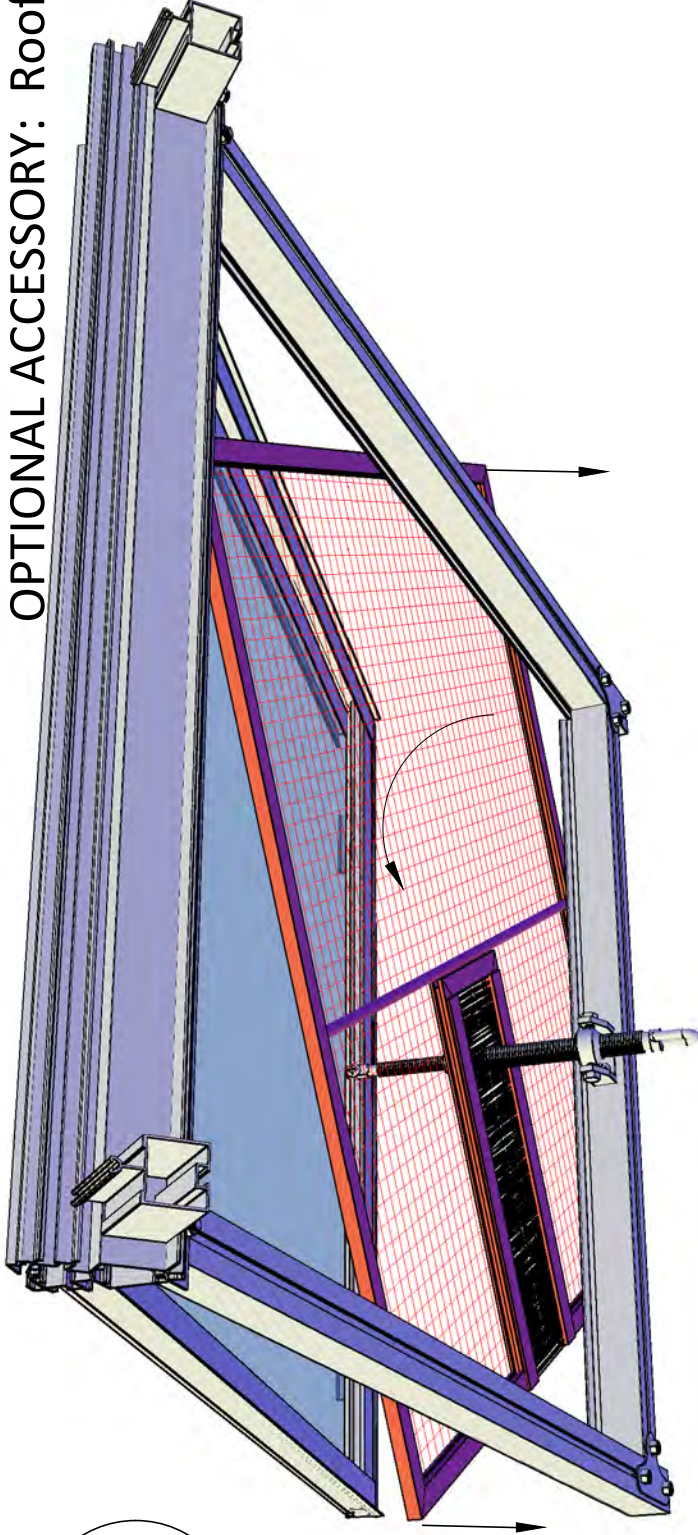


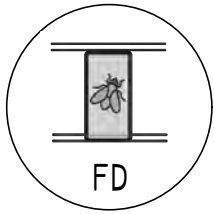
(view from outside)



# OPTIONAL ACCESSORY: Roof Vent Fly Screen

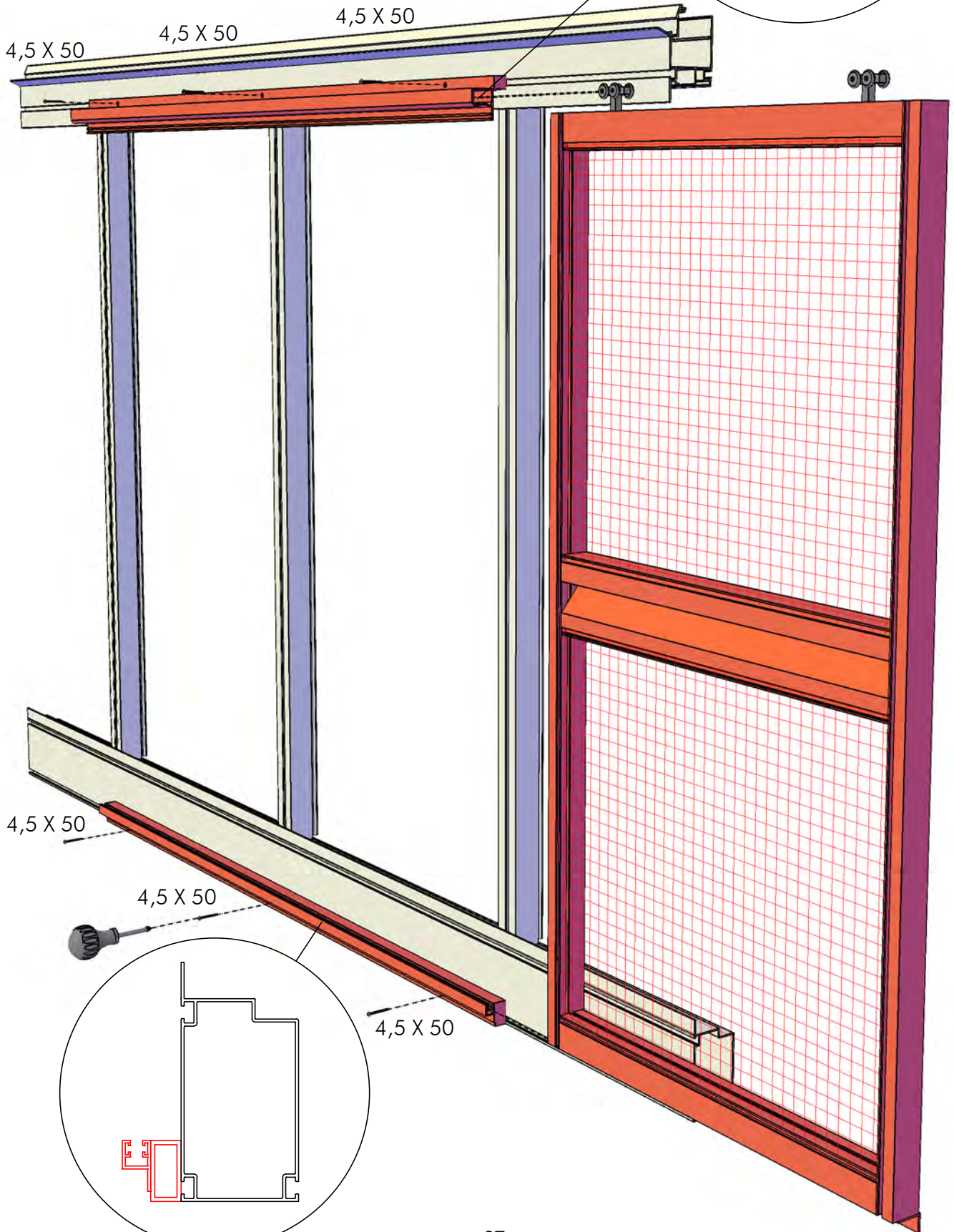
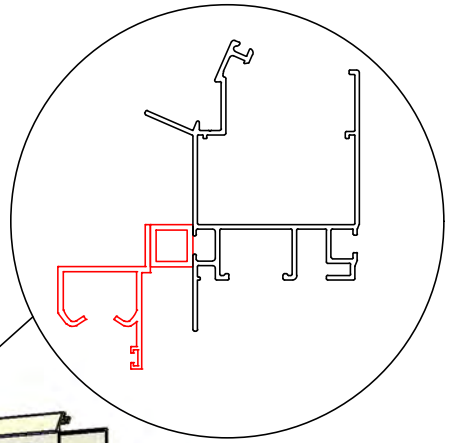
(view from inside)





# OPTIONAL ACCESSORY: Sliding Screen Door

(view from inside)



## **OPTIONAL ACCESSORY: ROYAL ORANGERIE SHADECLOTH**

**Inserting the curlicue hooks into the curtain:** The curlicue hooks that insert into the curtain will go in every 6<sup>th</sup> loop in the white ribbon– look at the picture diagram to ensure you are inserting them in the correct direction so the curtain hangs well. Your curtains will have one looped ribbon running across the center (for the ridge) and 3 white looped ribbons on either side. You will use the center ribbon of the set of three and the ridge ribbon. **Please note: if you have forgotten to insert any items during assembly, you may “notch” the channel with a ½” drill bit in an inconspicuous place. We can send a touch up paint pen if you need one.**

### **Royal Orangerie (footprint of 12’10” D x 15’7” W)**

Has a shade cloth set SUN310 – T SET, which consists of the following pieces: SUN310-T (Center sections T1 & T2) and (3) SUN310-73. There are 3 sets of “scroll” supports which the curtains fit around. The misting system is best hung in the long direction from bolts/ hooks next to each “scroll” support.

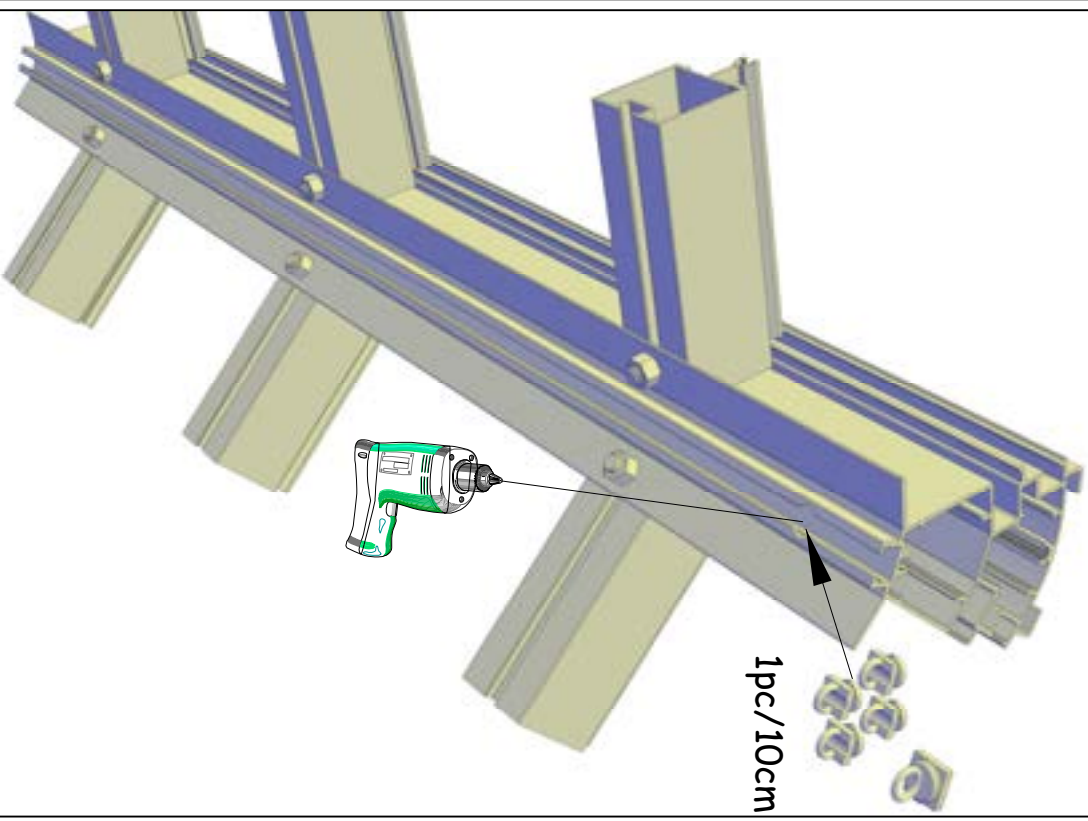
Insert the following in this order:

- In main ridge profile:
  - 1 bolt (for L bracket that connects at gable end)
  - 9 Sliding Eye Hooks
  - Space for scroll support
  - 1 bolt for hook for misting system
  - 1 Twist lock (optional)
  - 20 Sliding Eye Hooks
  - 1 bolt for hook for misting system
  - 20 Sliding Eye Hooks
  - 1 Twist lock (optional)
  - 1 bolt for hook for misting system
  - Space for “scroll” support
  - 9 Sliding Eye Hooks
  - 1 bolt (for L bracket that connects at gable end)
- In short ridge profile (inserting from front of the greenhouse):
  - 1 Twist lock (optional)
  - 18 Sliding Eye Hooks
  - Space for “scroll” support
  - 9 Sliding Eye Hooks
- In rear gutter profile:
  - 9 Sliding Eye Hooks
  - Space for “scroll” support
  - 1 Twist lock (optional)
  - 40 Sliding Eye Hooks
  - 1 Twist lock (optional)
  - Space for “scroll” support
  - 9 Sliding Eye Hooks
- In each small gutter section:
  - 9 Sliding Eye Hooks

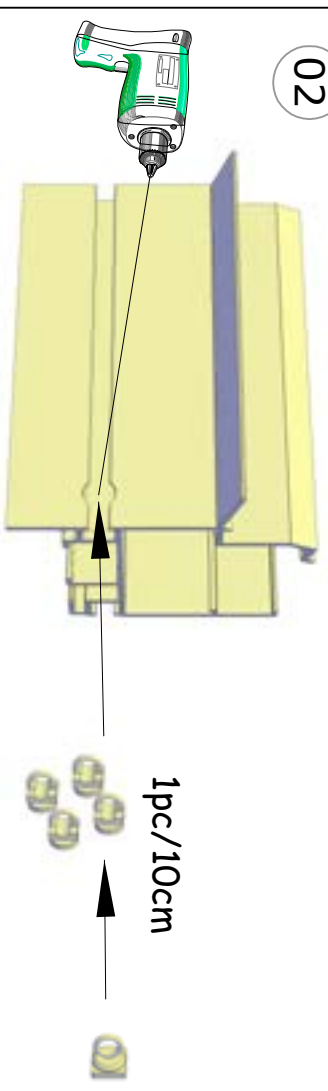
Schermdoek - Toile d' ombrage - Strahlenschutz - Sunscreen  
 Solskærm-Solskjerm-Telo ombregiante scorrevole - Skuggväv

TYPE	SUN236_73	SUN310_73	SUN236_300	SUN310_300
	24 pcs	24 pcs	93 pcs	93 pcs
	24 pcs	24 pcs	93 pcs	93 pcs

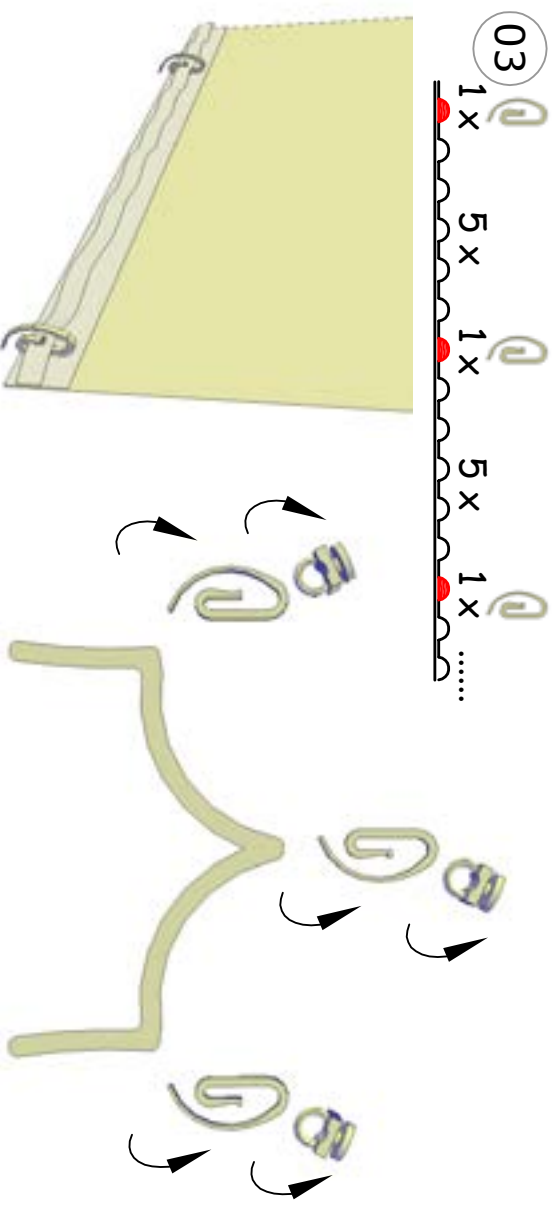
01



02



03

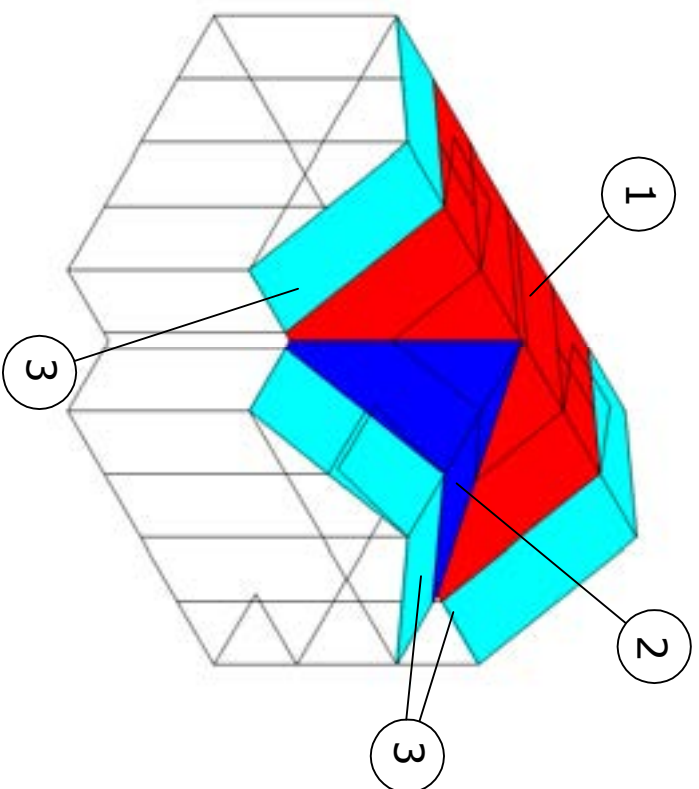


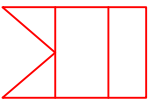











SD1

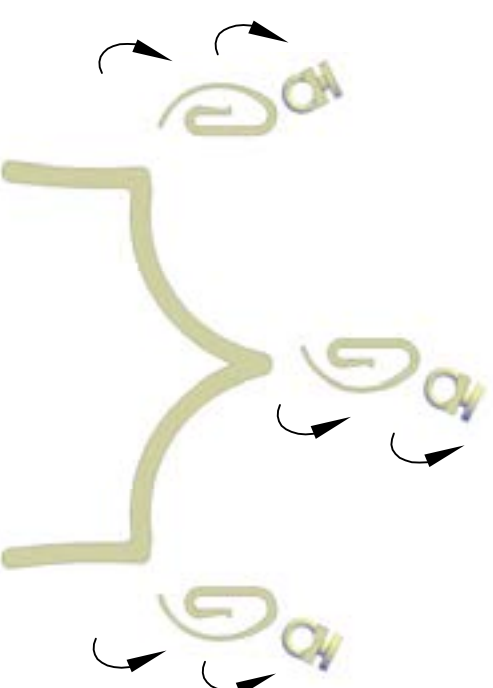
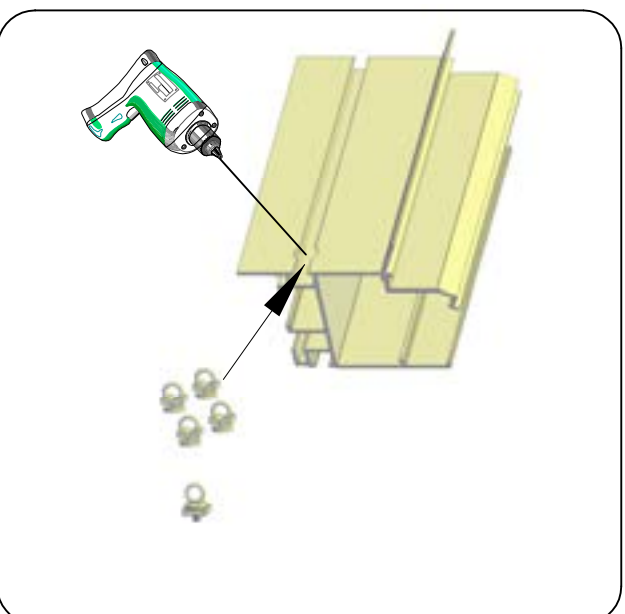
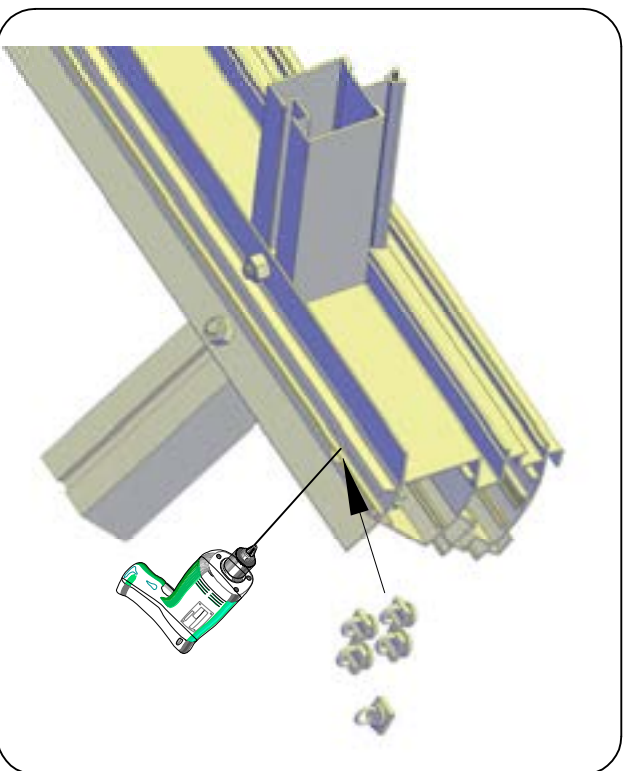
Schermdoek - Toile d' ombrage - Strahlenschutz - Sunscreen  
 Solskærm-Solskjerm-Telo ombregiante scorrevole - Skuggväv

SUN236

SUN310



1	 T1		72 pcs	91 pcs
			72 pcs	91 pcs
2	 T2		52 pcs	66 pcs
			52 pcs	66 pcs
3	 73		24 pcs	24 pcs
			24 pcs	24 pcs
	 300		93 pcs	93 pcs
			93 pcs	93 pcs



SD2



## Customer Service or Assembly Questions?

Give us a call  
Toll free: 1-877-760-8500  
customerservice@exaco.com  
Exaco Trading  
www.EXACO.com

***Please watch our animated assembly  
video on our Exaco Trading Co  
YouTube Channel.  
Find the link at [www.exaco.com](http://www.exaco.com)***

**Janssens NV** Mechelsesteenweg 388, B-2500 Lier Belgium  
(T) +32 15 30 67 80 (W) [www.janssens-alusystems.be](http://www.janssens-alusystems.be) (E) [info@janssens-alusystems.be](mailto:info@janssens-alusystems.be)

**Janssens NV** Mechelsesteenweg 388, B-2500 Lier Belgium  
(T) +32 15 30 67 80 (W) [www.janssens-alusystems.be](http://www.janssens-alusystems.be) (E) [info@janssens-alusystems.be](mailto:info@janssens-alusystems.be)