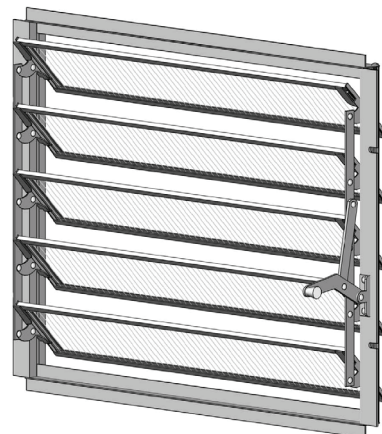


# Louvre Assembly Instruction

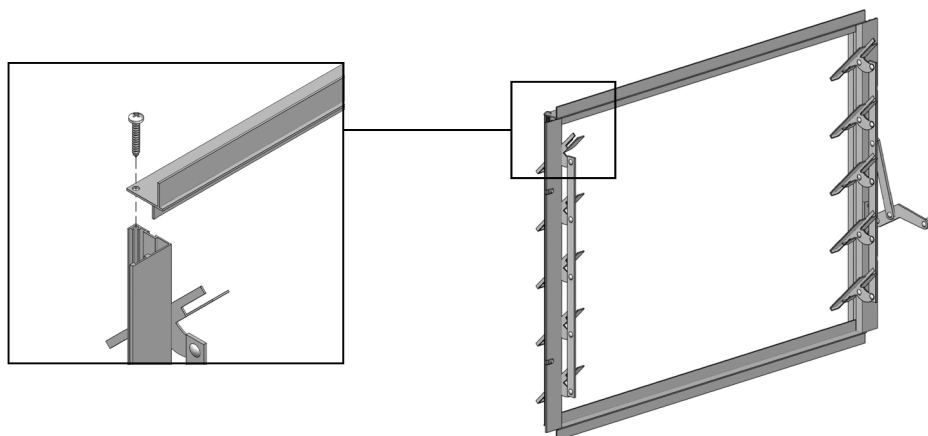
For the louvre assembly you will need 1 top cill, 1 bottom cill, 2 side jambs(one with handle), 4 self tapping screws, 4 crop head bolts and nuts and glass blades or polycarbonate blades (including 4 alu.clips and 2 PVC anti-dust strip).



## Procedure:

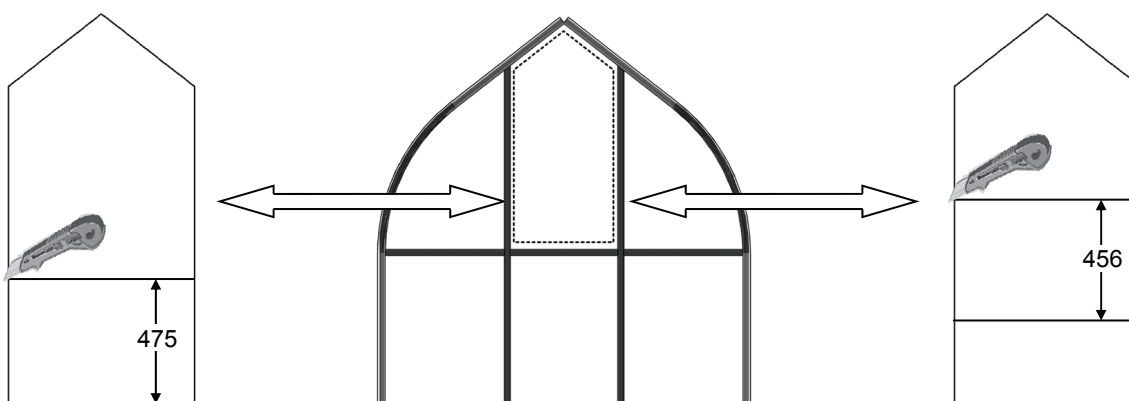
### 1. Installation of Louvre frame

- \* Place top cill into position on side jamb of louvre and secure with self tapping screws.
- \* Do same on the other top corner.
- \* Do same with bottom cill.
- \* Please note that the handle is on the right hand side. The diagrams are viewed from inside.
- \* You attach the louvre to the frame during the glazing of the greenhouse.

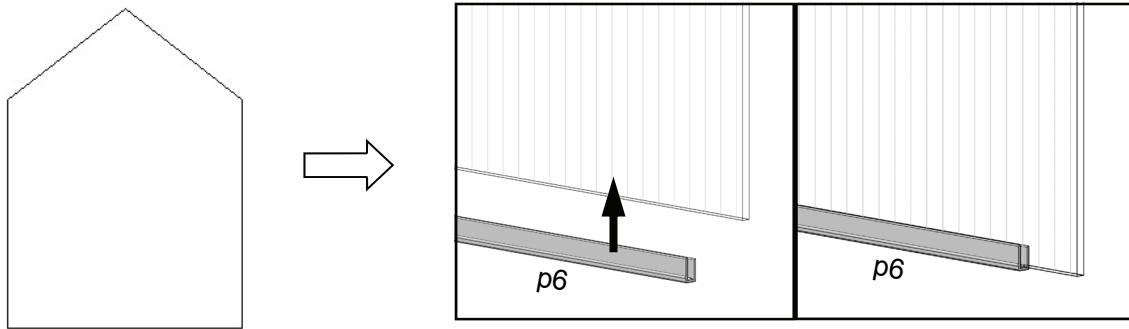


### 2. Installation of louvre to the structure

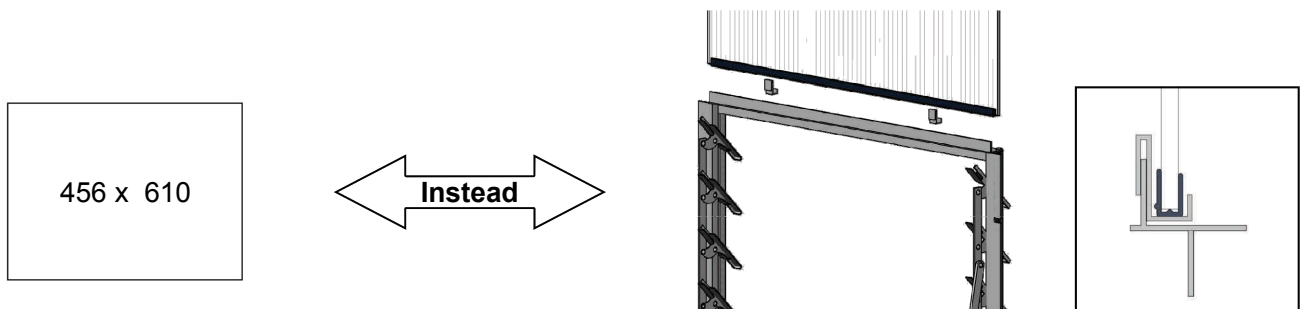
- \* The louvre is fitted after the unit is assembled fully and during glazing.
- \* The louvre is fitted to the vertical glazing bar/wall or corner bar utilizing either 4 unoccupied bolts previously inserted, or the 4 crop head bolts supplied with the louvre kit.
- \* The louvre is fitted from inside the structure with the angle jambs fitting around the vertical greenhouse bars concerned.
- \* The louvre handle is on the inside of the greenhouse and is fitted to the right of the louvre ( as viewed from the inside)
- \* First you should locate where to fit the louvre, To determine the height, place the relevant piece of polycarbonate panel below the louvre position. this position will vary .
- \* Then you should cut polycarbonate panel, If you want to fit the louvre in the middle of of polycarbonate panel, then cut size 456mm (remove middle part size 456mm) and remain both ends. If you want to fit louvre at the end of panel, then cut 475mm size from PC panel end (remove end part).



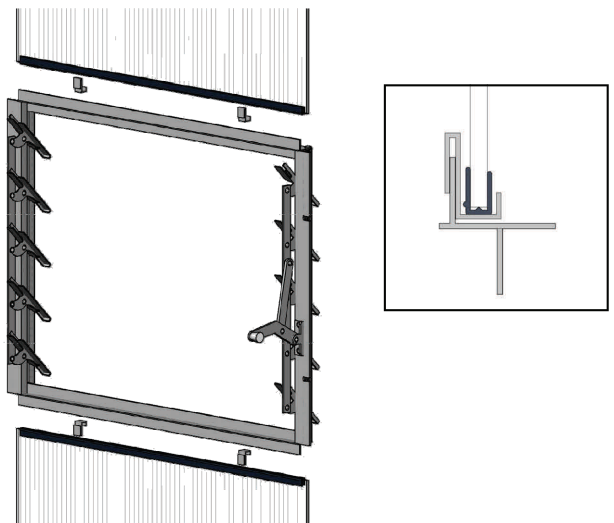
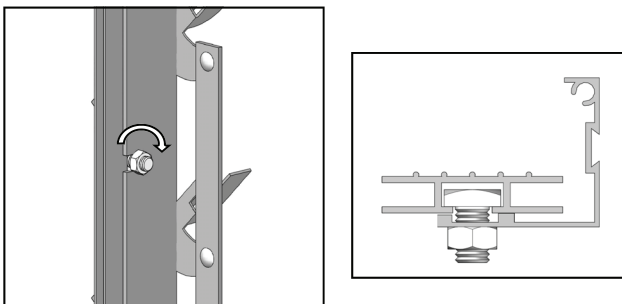
- \* Put the PVC anti-dust strip p6 on the end of cutted & remained panel



- \* Offer the louvre frame to the bolts, add a nut to each bolt and fingertip tighten.
- \* Put the Alu.clip on the top and bottom cill first
- \* Slide the louvre frame to the top of the pane of polycarbonate so that the bottom cill of the louvre rests on the polycarbonate panel.



- \* Tighten all nuts

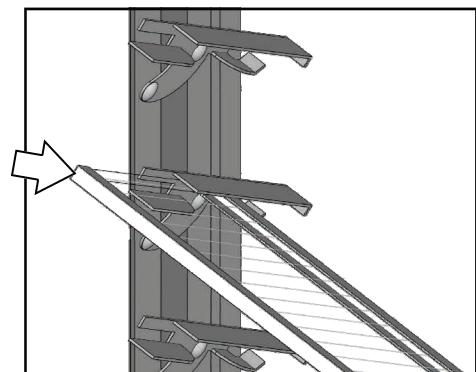


Louvre frame installation is now complete.

### 3. Glazing the louvre

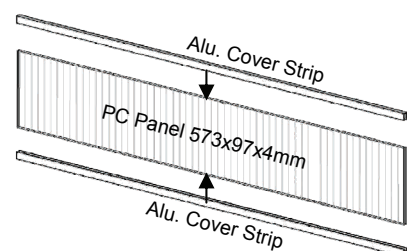
The louvre must be glazing after it has been installed to the structure

- \* Open the louvre using the handle
- \* Slide each individual blade of polycarbonate panel between the jams into the aluminium holders
- \* The glass(polycarbonate) will come to rest in the holder at the bottom of the jams.



#### Note:

**For Polycarbonate**-----The polycarbonate blades are supplied with an aluminium cover strip which serves to reinforce and protect the insulating flutes-simply fit them to either side of the glazing.



**For Toughened Glass**-----The louvre blades for the toughened glass model have specially rounded edges and, therefore, can be fitted directly into the louvre.